

A96 SERIES

- T-3 MINIATURE CAP FUSE STYLE NON-GROUNDED LAMPHOLDERS
- FOR HEAVY DUTY APPLICATIONS
- 1/4" TAB TERMINALS
- POLYESTER OR ZINC PLATED STEEL BASE
- MAXIMUM RATING: 12 WATTS, 13.5 VOLTS

Overview

The A96 Series lampholders are designed for automotive usage and other heavy duty applications. Lampholders are supplied with two sturdy clips to hold the bulb securely. Lampholders are non-grounded and designed for use with 211-2, 212-2 or 214-2 fuse style lamps.

Specifications

Bulb clips: tin plated spring steel, 211-2 size clips.

Contacts: electro tinned brass.

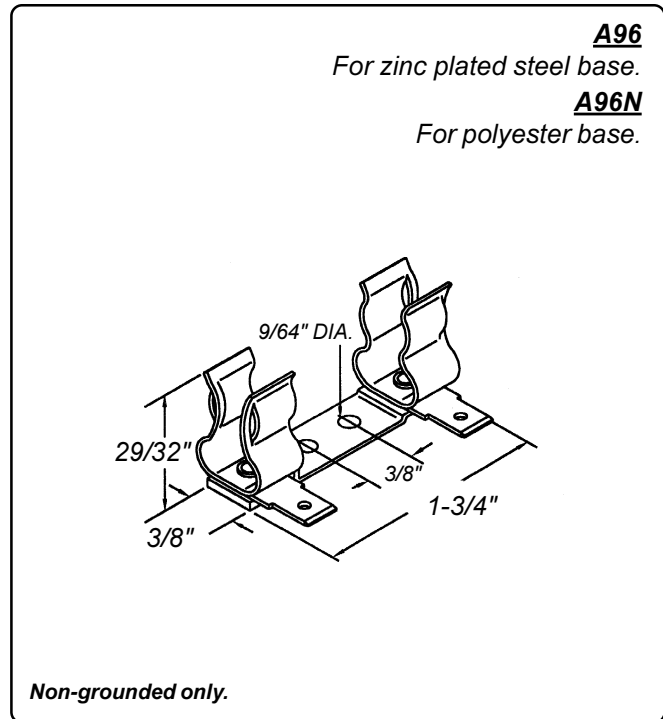
Terminals:

1/4" tab: electro tinned brass, 1/4" length x 0.032" thick. Non-grounded units are supplied with two 1/4" tab terminals.

Mounting:

Mounting base: zinc plated steel or polyester, with 9/64" diameter holes on 3/8" centers. Custom mounting brackets and plating types are available.

Maximum rating: 12 Watts, 13.5 Volts.



Can't find it here? We have many more standard and custom solutions.

The items in this catalog are only a small representative sample of the complete LC&D-Leecraft product line. We manufacture many additional products which are not shown in this catalog due to space constraints.

Custom products can also be designed uniquely for you by our Technical Support Professionals. Starting from your ideas and specifications, we work with your personnel to develop timely and cost effective solutions for your miniature lighting needs.

LC&D Technical Support Services are provided without charge, and may include designs, prototypes and pre-production samples.

For further information phone Customer Service at 954-425-0123 or complete the "Fast FAX Technical Support Inquiry" form located in the Appendix, page A-1.