

Single Contact Candelabra Bayonet

10 SERIES

- SINGLE CONTACT CANDELABRA BAYONET LAMPHOLDERS
- NON-GROUNDED OR GROUNDED LAMPHOLDERS
- SOLDER LUG TERMINALS OR PRINTED CIRCUIT BOARD TERMINALS
- ZINC PLATED STEEL SHELL
- MAXIMUM RATING: 10 WATTS, 50 VOLTS

Overview

The 10 Series lampholders are constructed with a zinc plated steel shell and tinned solder lug or printed circuit board terminals. Lampholders can be supplied as either non-grounded or grounded units. Non-grounded units are supplied with two tinned solder lug terminals or two printed circuit board terminals. Grounded units are supplied with one tinned solder lug terminal, unless otherwise noted. Many bracket and mounting options are available. Lampholders are designed for use in low voltage applications with single contact candelabra bayonet lamps.

Specifications

Shell: zinc plated steel.

Terminals:

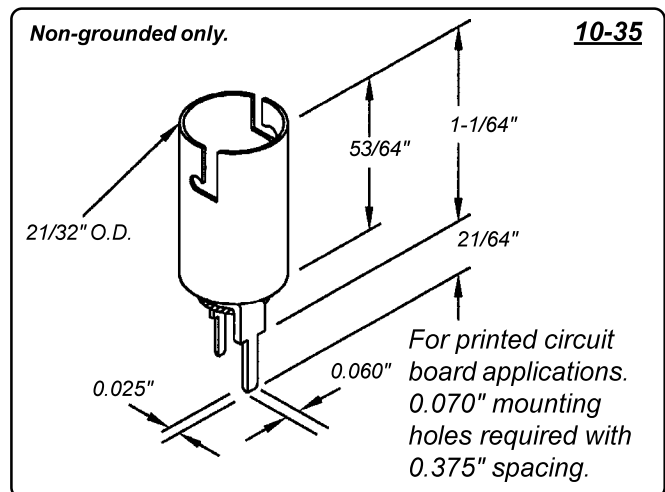
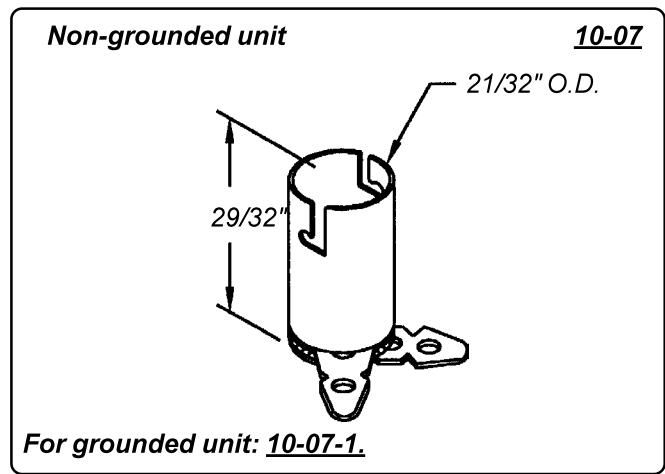
Solder lug: solder coated steel, 0.250" length x 0.020" thick, 60°- 90° apart with two wire holes 3/32" in diameter. Non-grounded units are supplied with two terminals. Grounded units are supplied with one terminal.

PC solder terminals: electro tinned steel.

Mounting:

Brackets: 0.025" to 0.032" zinc plated steel. Custom brackets and plating types are available.

Maximum rating: 10 Watts, 50 Volts.



Can't find it here? We have many more standard and custom solutions

The items in this product sheets are only a small representative sample of the complete VCC product line. We manufacture many additional products which are not shown in this product sheet due to space constraints.

Custom products can also be designed uniquely for you by our Technical Support Professionals. Starting from your ideas and specifications, we work with your personnel to develop timely and cost effective solutions for your miniature lighting needs.

VCC Technical Support Services are provided without charge and may include designs, prototypes and pre-production samples.

For further information, phone Customer Service at 800.522.5546.

Single Contact Candelabra Bayonet

10 SERIES

Maximum Rating: 10 Watts, 50 Volts
Non-Grounded or Grounded

Zinc Plated Steel Shell
Solder Lug Terminals or
Printed Circuit Board Terminals

