

## 14 SERIES

- INTERMEDIATE SCREW NON-GROUNDED LAMPHOLDERS
- BRASS SHELL IN HEAVY-DUTY BLACK PHENOLIC HOUSING
- 6" WIRE LEADS
- MAXIMUM RATING: 75 WATTS, 250 VOLTS
- UL AND CSA LISTED • UL FILE E25836 • CSA FILE LR 15284-3

### Overview

The 14 Series lampholders are constructed with a brass shell in a heavy-duty black phenolic housing. Lampholders are supplied with two 6" wire leads and are non-grounded. Many bracket and mounting options are available including a 1-1/4" mounting hole plug button or a threaded bushing for 13/32" mounting holes. Lampholders are designed for use with intermediate screw lamps.

### Specifications

**Shell:** brass.

**Housing:** black phenolic.

**Wire leads:**

**6" leads:** #18 AWG, black & white, bare copper, PVC insulated, UL/CSA rated 105° C, stripped 1/2". Non-grounded units are supplied with two 6" wire leads. Custom wire lengths, stripping, termination and wire types are also available.

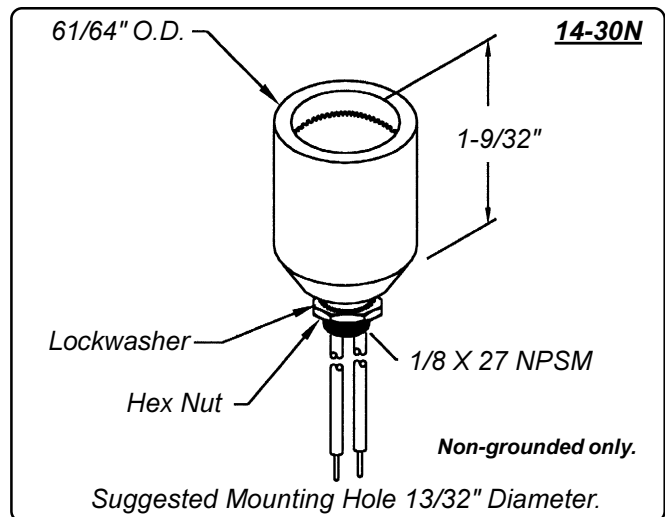
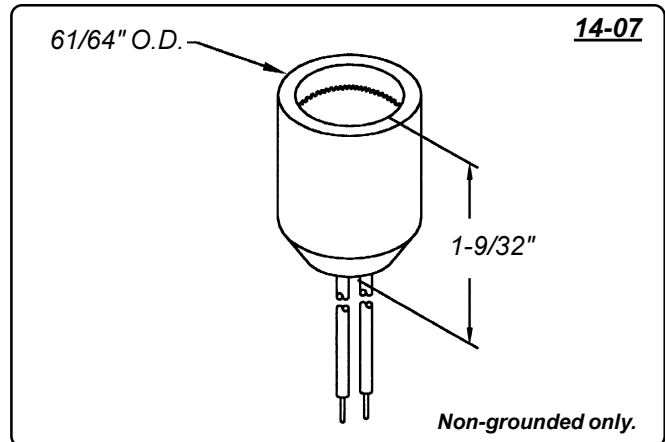
**Mounting:**

**Brackets:** .025" to .032" zinc plated steel. Custom brackets and plating types are available.

**Plug button:** zinc plated steel for 1-1/4" mounting hole.

**Threaded bushing:** for 13/32" diameter mounting hole. Supplied with lockwasher and hex nut.

**Maximum rating:** 75 Watts, 250 Volts.



**Can't find it here? We have many more standard and custom solutions.**

The items in this catalog are only a small representative sample of the complete LC&D-Leecraft product line. We manufacture many additional products, which are not shown in this catalog due to space constraints.

Custom products can also be designed uniquely for you by our Technical Support Professionals. Starting from your ideas and specifications, we work with your personnel to develop timely and cost effective solutions for your miniature lighting needs.

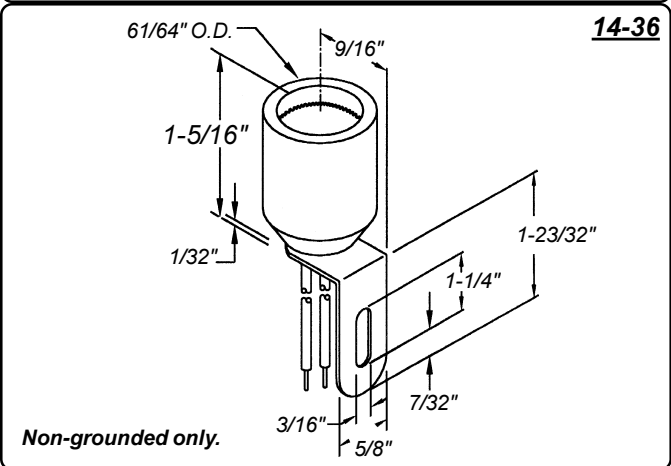
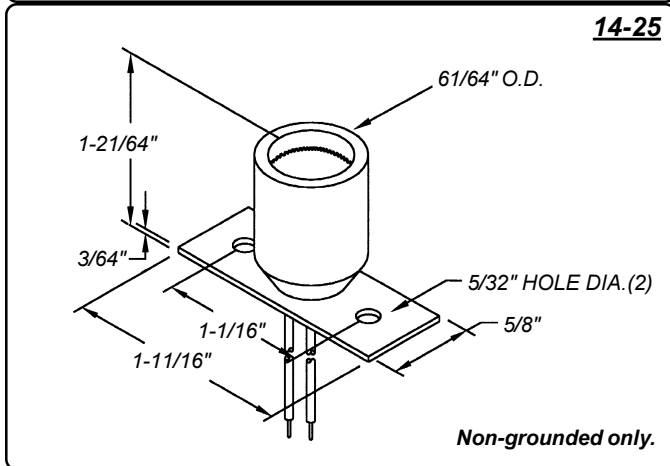
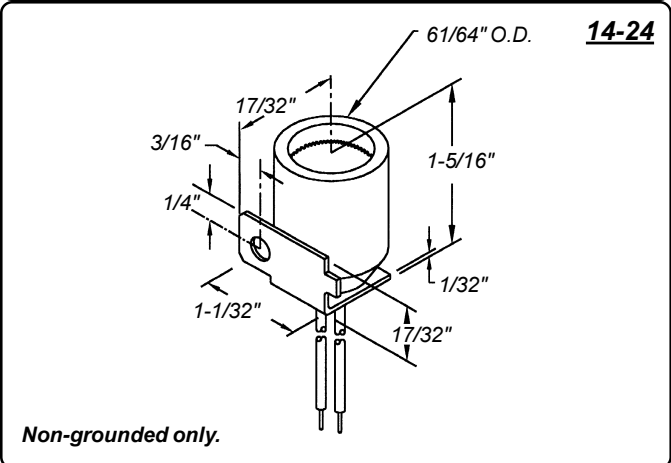
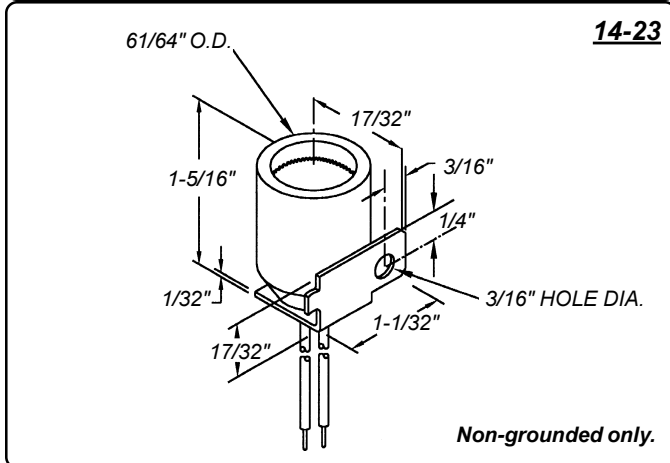
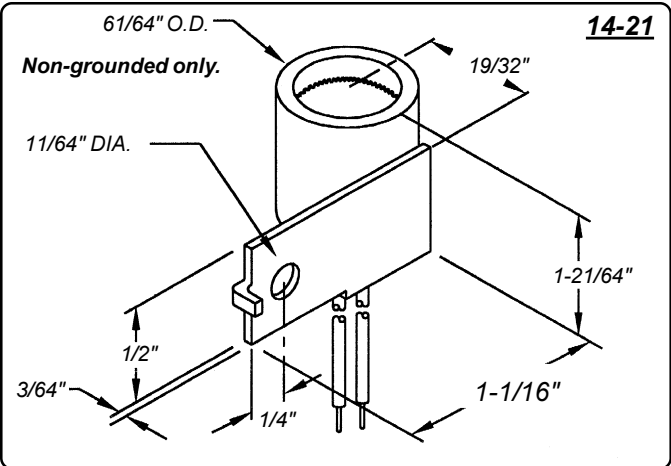
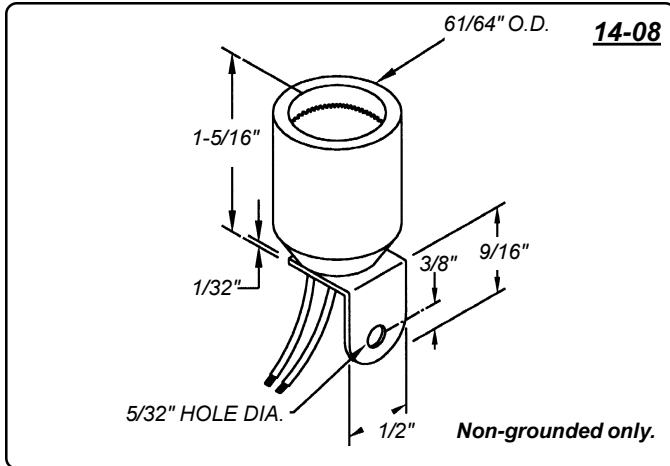
LC&D Technical Support Services are provided without charge, and may include designs, prototypes, and pre-production samples.

For further information, phone Customer Service at 954-425-0123, or complete the "Fast FAX Technical Support Inquiry" form located in the Appendix, page A-1.

**14 Series**  
**UL & CSA Listed • Non-Grounded**  
**Maximum Rating: 75 Watts, 250 Volts**

**Heavy-Duty Black Phenolic Housing**  
**With Brass Shell**  
**6" Wire Leads**

Lampholders



**14 Series**  
**UL & CSA Listed • Non-Grounded**  
**Maximum Rating: 75 Watts, 250 Volts**

**Heavy-Duty Black Phenolic Housing**  
**With Brass Shell**  
**6" Wire Leads**

