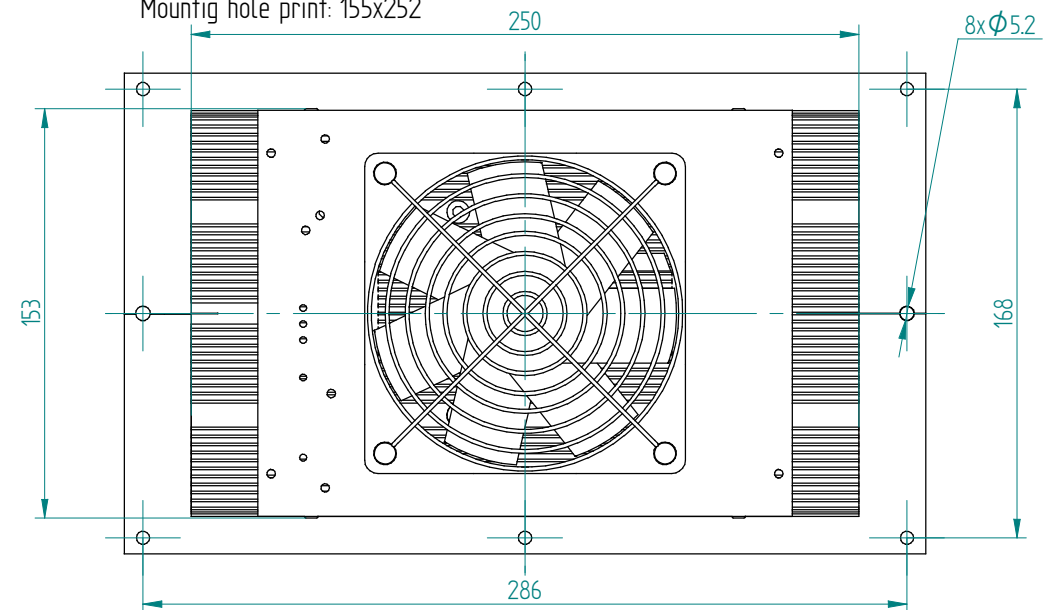


Specification: (Ta=32°C)	Code:	Description:
Heat transfer, cold side:	A	Air
Heat transfer, warm side:	A	Air
Cascade:	-	
Cooling power: [W]	150	143 W at dT=0°C. Tolerance: ±10%.
Voltage, nominal: [VDC]	24	24 VDC
TEM Voltage: [VDC]		Nominal: 24 VDC, Max: 30 VDC.
TEM Current: [A]		Nominal: 7.9 A, Initial: 9.0 A. All at dT=0°C. Tolerance: ±10%.
Fan(s), cold side:	2	L10: 50,000 hrs. at 25°C. Nominal current: 0.19 A. Voltage: 24 VDC ±10%.
Fan(s), warm side:	2	L10: 50,000 hrs. at 25°C. Nominal current: 0.35 A. Voltage: 24 VDC ±10%.
Temperature controller, sensor:	0	None.
Temperature control settings, trim options:	0	-
Additional controller information		
Temperature control position:	0	-
Options:	0	-
Weight:		7.9 kg
Overheating thermostat:		75°C ±5°C on hot side heat sink surface.
Operating temperature:		-10°C to +50°C at nominal voltage.
TE-Module(s) temperature specification:		Max. surface temperature: 80°C.
Enclosed:		-
Packing:		Individual cardboard box.

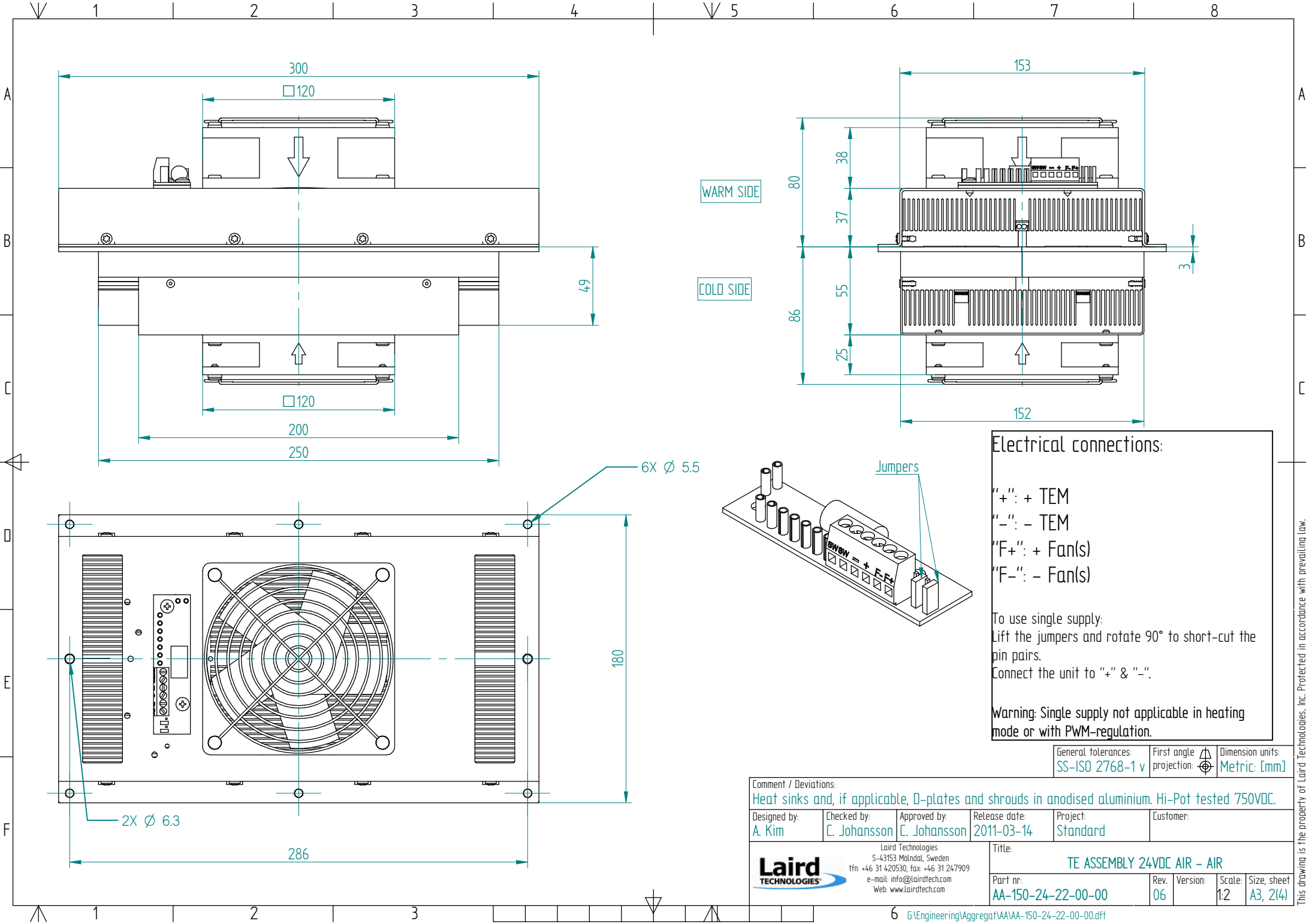
Mounting hole print: 155x252



General tolerances: SS-ISO 2768-1 v  
 First angle projection: Dimension units: Metric: [mm]

Comment / Deviations:  
 Heat sinks and, if applicable, D-plates and shrouds in anodised aluminium. Hi-Pot tested 750VDC.

Designed by: A. Kim	Checked by: C. Johansson	Approved by: C. Johansson	Release date: 2011-03-14	Project: Standard	Customer:
Laird Technologies S-43153 Molndal, Sweden tfn +46 31 420530, fax +46 31 247909 e-mail: info@lairdtech.com web: www.lairdtech.com			Title: <b>TE ASSEMBLY 24VDC AIR - AIR</b>		
Part nr: AA-150-24-22-00-00			Rev: 06	Version:	Scale: Size, sheet 1:2 A3, 1/4



**Electrical connections:**

"+" : + TEM  
 "-" : - TEM  
 "F+" : + Fan(s)  
 "F-" : - Fan(s)

To use single supply:  
 Lift the jumpers and rotate 90° to short-cut the pin pairs.  
 Connect the unit to "+" & "-".

**Warning:** Single supply not applicable in heating mode or with PWM-regulation.

General tolerances: SS-ISO 2768-1 v  
 First angle projection: Dimension units: Metric: [mm]

Comment / Deviations:  
 Heat sinks and, if applicable, D-plates and shrouds in anodised aluminium. Hi-Pot tested 750VDC.

Designed by: A. Kim	Checked by: C. Johansson	Approved by: C. Johansson	Release date: 2011-03-14	Project: Standard	Customer:
Laird Technologies S-43153 Molndal, Sweden tfn +46 31 420530, fax +46 31 247909 e-mail: info@lairdtech.com Web: www.lairdtech.com			Title: <b>TE ASSEMBLY 24VDC AIR - AIR</b>		
Part nr: AA-150-24-22-00-00			Rev: 06	Version:	Scale: Size, sheet 1:2 A3, 2(4)