


# General Purpose/Semi Conductor Fuse Holders - 1000 Volt

## Stud Version - Specifications:

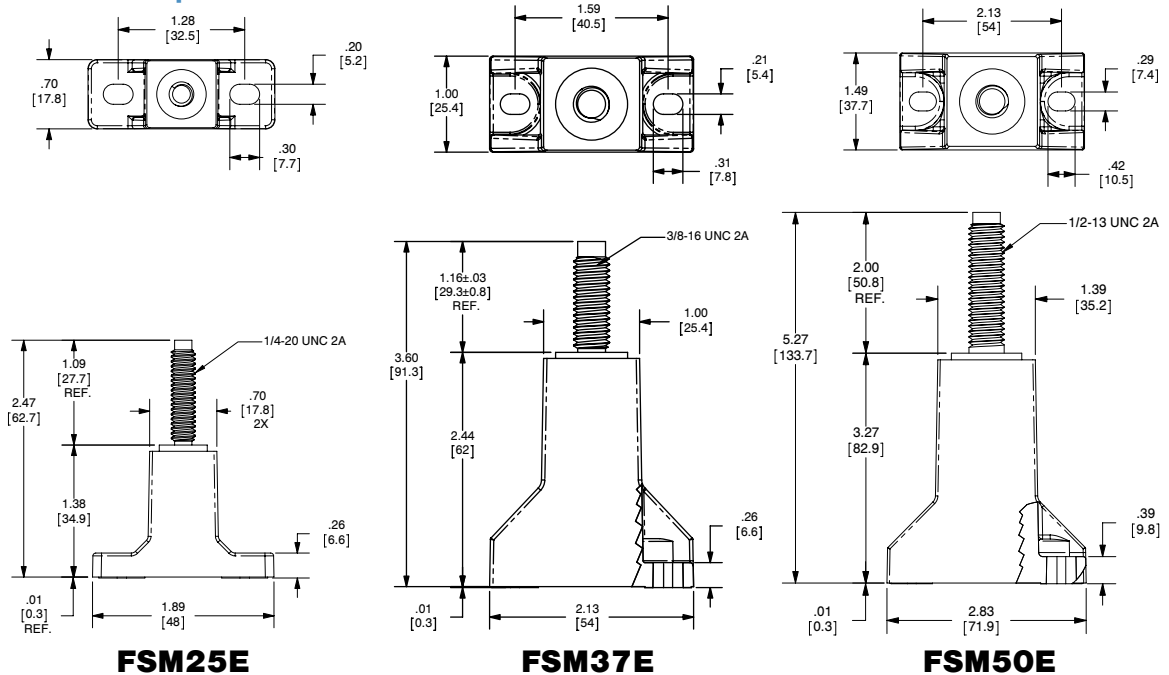
- Insulator Base, High Strength Thermoplastic
- Stud, Nuts and Belleville Washers: Plated Steel
- Maximum Insulator Base Temperature Rating 125°C (257°F) UL RTI (impact)
- Hardware Provided Unassembled
- Flammability Rating of Insulator UL 94 V-0
- Ideal for applications such as lithium-ion battery packs, inverters, industrial panels and other energy storage devices
- UL Recognized File No. IZLT2.E35113 
- RoHS Compliant



Shown left to right: FSM50E, FSM37E, FSM25E

	FSM25E	FSM37E	FSM50E
<b>Stud Sizes</b>	1/4"-20 Stud Metric sizes (M6, M10, M12) available upon request - contact Customer Service for more information	3/8"-16 Stud	1/2"-13 Stud
<b>Electrical Ratings</b>	400A, Up to 1000V AC/DC	800A, Up to 1000V AC/DC	1200A, Up to 1000V AC/DC
<b>Application Torque</b>	75 in-lbs	230 in-lbs	300 in-lbs
<b>Withstand Rating</b>	Approved for 200,000A, Tested at 111 kA <sup>2</sup> s (I <sup>2</sup> t) and 20.0 kA (I <sub>p</sub> )	Approved for 200,000A, Tested at 274 kA <sup>2</sup> s (I <sup>2</sup> t) and 26.2 kA (I <sub>p</sub> )	Approved for 200,000A, Tested at 465 kA <sup>2</sup> s (I <sup>2</sup> t) and 30.8 kA (I <sub>p</sub> )
<b>Mounting</b>	Mount with #10 fastener, torque to 25-30 in. lbs.	Mount with #10 fastener, torque to 25-30 in. lbs.	Mount with 1/4" fastener, torque to 25-30 in. lbs.

**NOTE: Order two blocks per fuse**



For electronic drawings or 2D/3D CAD data, submit request at [www.marathonsp.com/drawings.html](http://www.marathonsp.com/drawings.html)