

# Power Splicer Blocks

## 600 Volts AC/DC

### Specifications:

- Connector, High Conductive Aluminum, Tin Plated, Rated for Copper and Aluminum Wire
- CU Connector, High Conductive Copper, Tin Plated, Rated for Copper Wire Only
- Multiple wire rating - refer to datasheets for details
- UL Recognized File No. XCFR2.E62806
- CSA Certified File No. LR19766
- Ⓢ - Up to 1000 Volts AC/DC
- Flexible Stranded Wire Compliant
- RoHS Compliant



1323972 CH

1323572 CH

Replace "X" with # of poles (0 = Adder)

Catalog #	Hinge Cover	Poles (X)	Amps	MATERIAL		LINE SIDE			LOAD SIDE		
				Insulator	Conn.	Wire Range AWG/kcmil	Openings Per Pole	Connector Configuration	Wire Range AWG/kcmil	Openings Per Pole	Connector Configuration
141X300		1/2/3/4	115	Plastic	AL	#2 - #14 AWG	1		#2 - #14 AWG	1	
142X552		1/2/3	115	Phenolic	AL	#2 - #14 AWG	1		#2 - #14 AWG	1	
132X572	CH	0/1/2/3	175	Plastic	AL	2/0 - #14 AWG	1		2/0 - #14 AWG	1	
142X572		1/2/3	175	Phenolic	AL	2/0 - #14 AWG	1		2/0 - #14 AWG	1	
132X972	CH	0/1/2/3	175	Plastic	CU	2/0 - #14 AWG	1		2/0 - #14 AWG	1	
142X121		1/2/3	175	Phenolic	CU	1/0 - #14 AWG	1		1/0 - #14 AWG	1	
143X124		1/2/3	255	Phenolic	CU	250 kcmil - #6 AWG	1		250 kcmil - #6 AWG	1	
140X801		2/3	255	Phenolic	CU	250 kcmil - #6 AWG	1		250 kcmil - #6 AWG	1	
143X123		1/2/3	255	Phenolic	AL	250 kcmil - #6 AWG	1		250 kcmil - #6 AWG	1	
140X303		2/3	310	Phenolic	AL	350 kcmil - #6 AWG	1		350 kcmil - #6 AWG	1	
143X126		1/2/3	310	Phenolic	AL	350 kcmil - #6 AWG	1		350 kcmil - #6 AWG	1	

CH = Block is also available with hinge cover attached - include "CH" at end of part number when ordering (not available on Adder blocks) - See page 58 for available covers

See pages 55-57 for dimensional information

# Power Splicer Blocks (cont.)

## 600 Volts AC/DC

### Specifications:

- Connector, High Conductive Aluminum, Tin Plated, Rated for Copper and Aluminum Wire
- CU Connector, High Conductive Copper, Tin Plated, Rated for Copper Wire Only
- Multiple wire rating - refer to datasheets for details
- UL Recognized File No. XCFR2.E62806
- CSA Certified File No. LR19766
- CE - Up to 1000 Volts AC/DC
- Flexible Stranded Wire Compliant
- RoHS Compliant

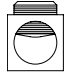





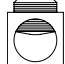
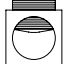
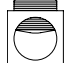









1333305



1453129

Replace "X" with # of poles

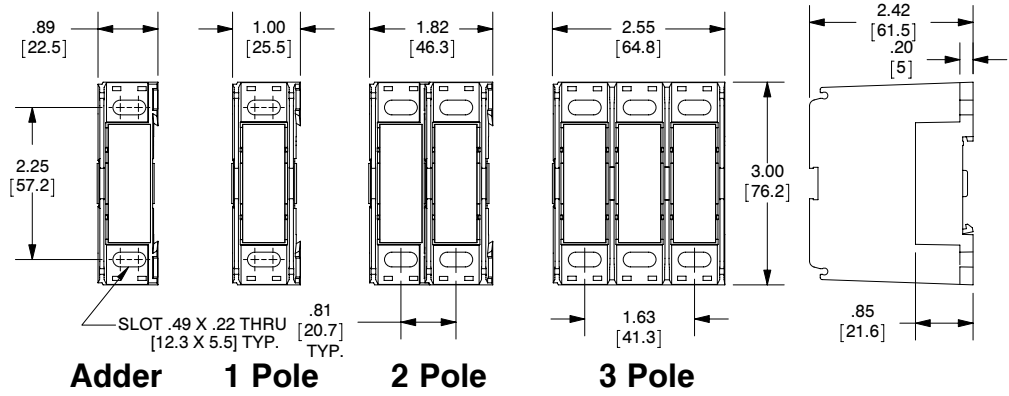
Catalog #	Hinge Cover	Poles (X)	Amps	MATERIAL		LINE SIDE			LOAD SIDE		
				Insulator	Conn.	Wire Range AWG/kcmil	Openings Per Pole	Connector Configuration	Wire Range AWG/kcmil	Openings Per Pole	Connector Configuration
133X126	CH	1/2/3	310	Plastic	AL	350 kcmil - #6 AWG	1		350 kcmil - #6 AWG	1	
133X305	CH	1/2/3	350	Plastic	AL	2/0 - #14 AWG	2		2/0 - #14 AWG	2	
143X306		1/2/3	350	Phenolic	AL	2/0 - #14 AWG	2		2/0 - #14 AWG	2	
144X557		1/2/3	420	Phenolic	AL	600 kcmil - #4 AWG	1		600 kcmil - #4 AWG	1	
133X360	CH	1/2/3	420	Plastic	AL	600 kcmil - #2 AWG	1		600 kcmil - #2 AWG	1	
133X320	CH	1/2/3	510	Plastic	AL	250 kcmil - 1/0 AWG	2		250 kcmil - 1/0 AWG	2	
145X129		1/2/3	620	Phenolic	AL	350 kcmil - #4 AWG	2		350 kcmil - #4 AWG	2	
145X301		1/2/3	760	Phenolic	AL	500 kcmil - #4 AWG	2		500 kcmil - #4 AWG	2	

CH = Block is also available with hinge cover attached - include "CH" at end of part number when ordering - See page 58 for available covers

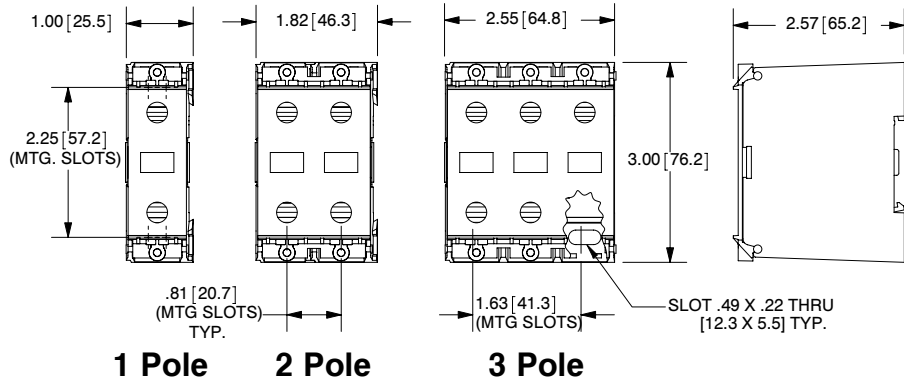
See pages 55-57 for dimensional information

# Power Terminal Block Dimensions

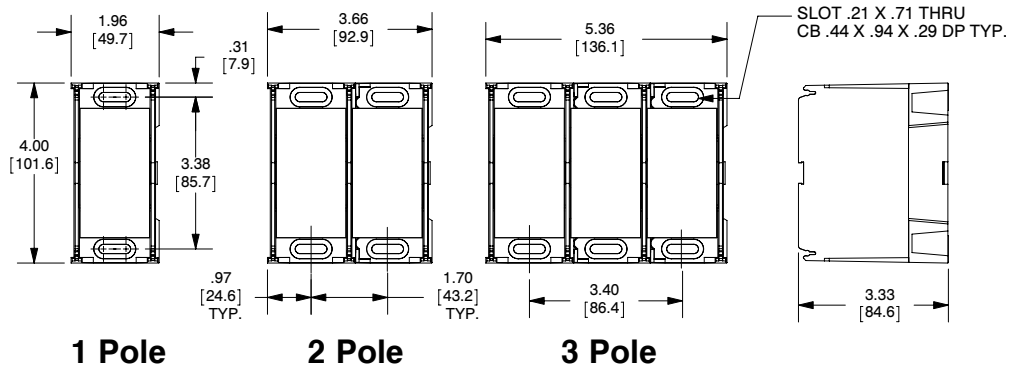
## 132 SERIES



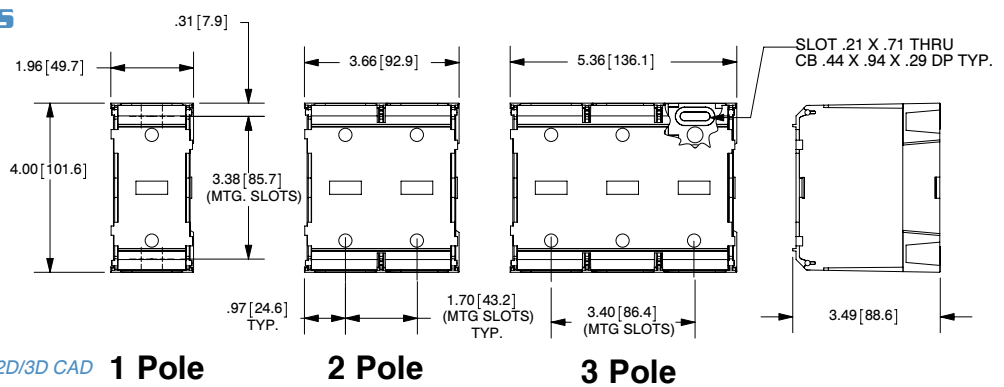
## 132 CH SERIES



## 133 SERIES



## 133 CH SERIES

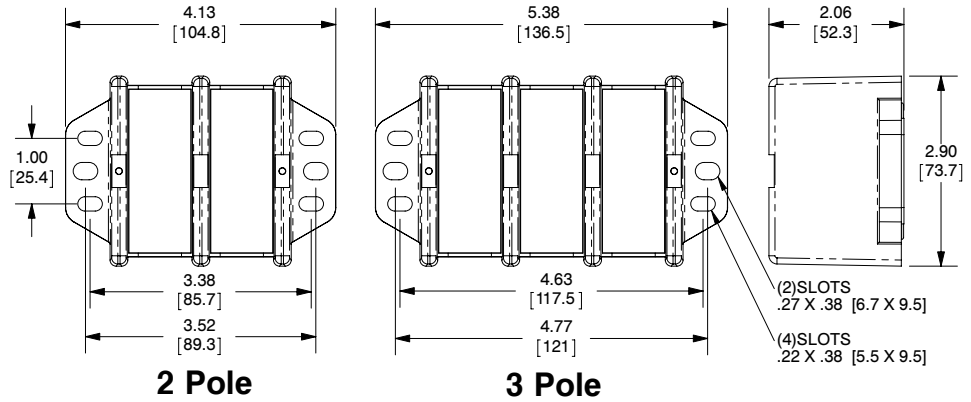


For electronic drawings or 2D/3D CAD data, submit request at [www.marathonsp.com/drawings.html](http://www.marathonsp.com/drawings.html)

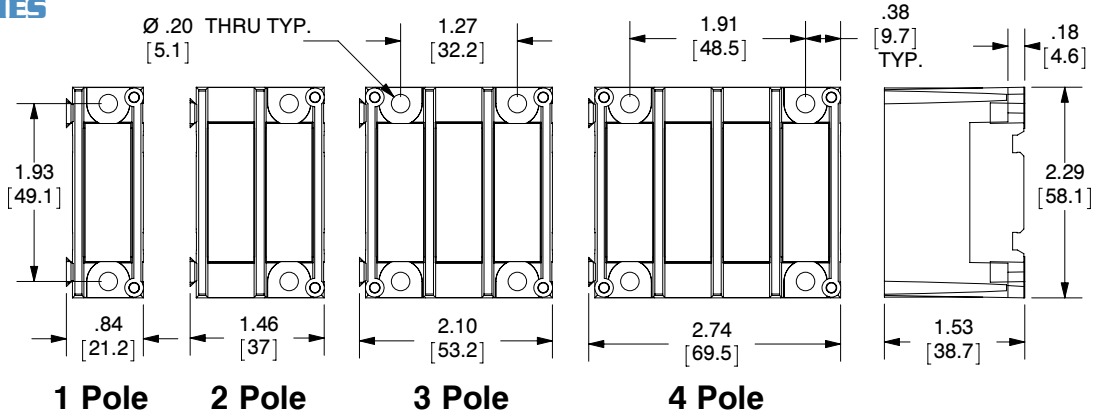
Datasheets available at [marathonsp.com](http://marathonsp.com)

# Power Terminal Block Dimensions

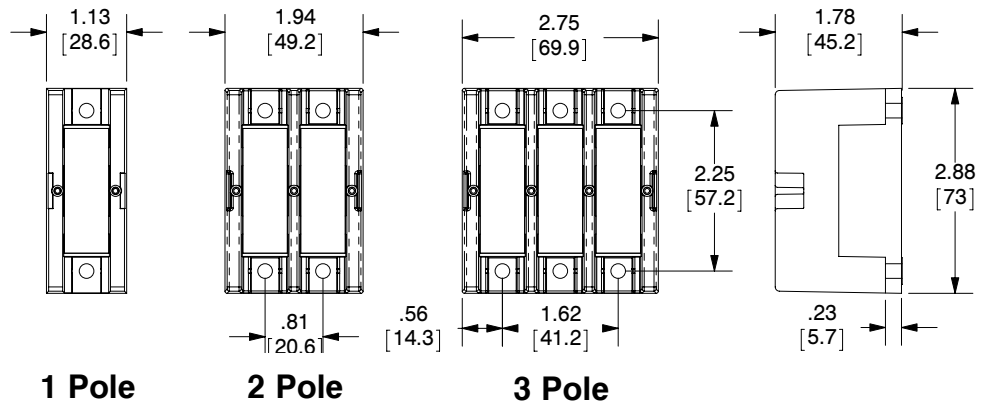
## 140 SERIES



## 141 SERIES



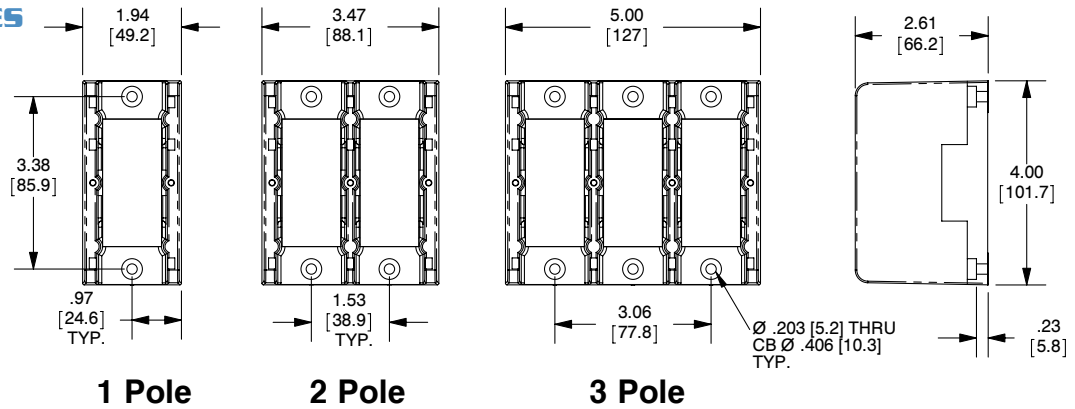
## 142 SERIES



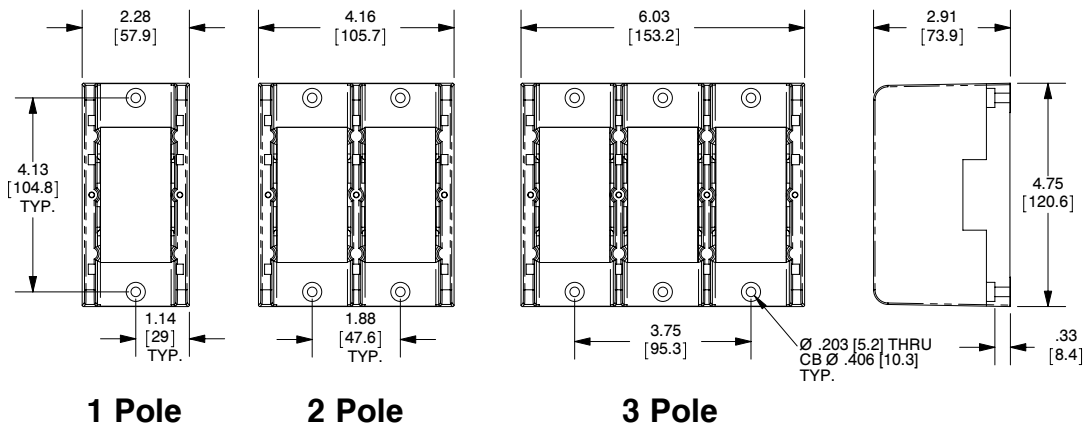
For electronic drawings or 2D/3D CAD data, submit request at [www.marathonsp.com/drawings.html](http://www.marathonsp.com/drawings.html)

# Power Terminal Block Dimensions

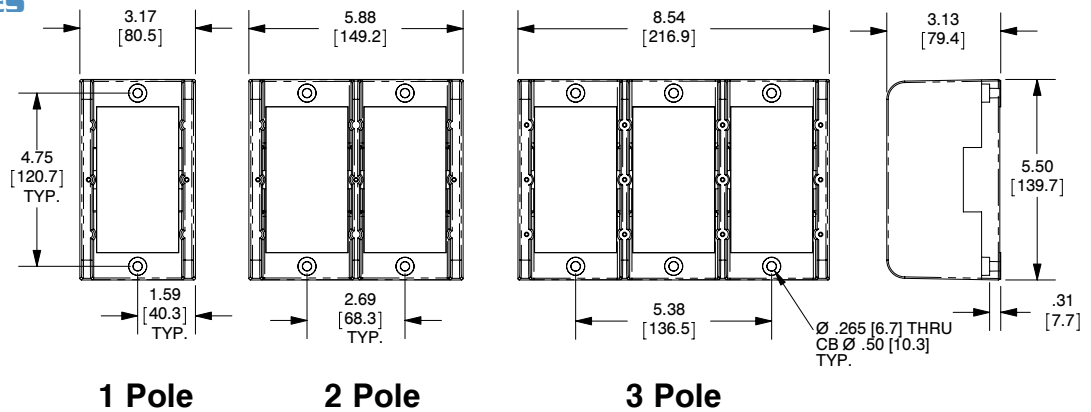
## 143 SERIES



## 144 SERIES



## 145 SERIES



For electronic drawings or 2D/3D CAD data, submit request at [www.marathonsp.com/drawings.html](http://www.marathonsp.com/drawings.html)