

# Power Distribution Blocks with SCCR and Feeder Spacing

## SCCR Information:

The requirements of the National Electric Code (NEC) and UL508A now require many electrical panels to carry a Short Circuit Current Rating (SCCR). Analyzing the SCCR of individual components and overcurrent protection devices is a method of determining the SCCR of an electrical assembly.

Marathon's Recognized and Listed Power Blocks been used in electrical control panels for over 35 years. These blocks have now been tested and approved for higher SCCR. **The higher ratings are based on proper wire sizes and the appropriate circuit protection device (fuses or circuit breakers).** UL508A does allow default SCCR for Power Distribution Blocks of 10,000A with no additional testing.



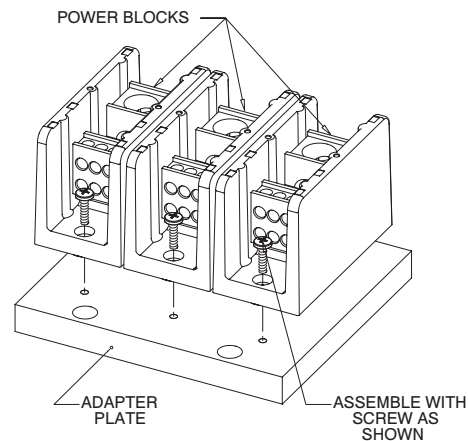
For detailed SCCR product information, please visit [www.marathonsp.com/PDFs/SCCR.pdf](http://www.marathonsp.com/PDFs/SCCR.pdf)

## Feeder Spacing/Adapter Plates for Feeder Spacing:

Recently, the National Electric Code (NEC) and UL508A began requiring that Power Blocks used in Feeder Circuits must carry voltage spacing greater than the traditional Industrial Control requirements. Marathon offers Power Blocks solutions that meet feeder spacing requirements.

- Marathon's **Listed** Power Distribution Blocks cover a range of small to large wire termination capabilities and meet the requirements for use in feeder circuits per UL508A up to 600V.
- We also offer a line of adapter plates for Marathon's **Recognized** Power Blocks that allow the customer to mount three single-line Power Blocks on a base which assures the requirements of feeder spacing are met.

Adapter Kit Catalog #	Power Block Series
FBA 132	132 Series
FBA 133	133 Series
FBA 1381	EPB 71/74 (1 pole)
FBA 1383	EPB 71/74 (3 pole)
FBA 141	141 Series
FBA 142	142 Series
FBA 143	143 Series
FBA 145	145 Series



# UL Listed Power Distribution Blocks

The requirements of the National Electric Code (NEC) and UL508A now require many electrical panels to carry a Short Circuit Current Rating (SCCR). These new Power Distribution Blocks are listed to UL1953. The feeder spacing requirements of UL508A are achieved with these blocks.


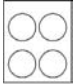


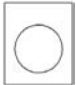
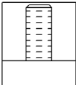





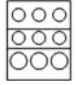

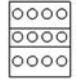


Shown left to right: FPB23570 and FPB33588

## Specifications:

- Connector Housings, Thermoplastic, UL 94 V-0, RTI 125°C
- Insulator Base Plate, Phenolic Laminate, UL 94 V-0, RTI 130°C
- Wire Connectors - Tin Plated Aluminum, Rated for Copper or Aluminum Wire (CU & AL)
- Short Circuit Current Rating up to 100kA (100kA SCCR Rating with copper conductors only. Requires specific over-current protection device.)
- Flexible Stranded Wire Compliant
- Safety hinged cover available as accessory, 1 cover per pole (CH1321 and CH1331) - see page 58
- UL 508A Feeder Circuit Terminal Spacing for up to 600 Volts
- Rated up to 335 Amp, 600 Volts
- Line side conductor up to 600 kcmil
- Distribution, up to twelve conductors per pole
- Investigated to UL 1953
- UL Category and File: QPQS.E309401
- RoHS Compliant

To order blocks with cover installed, add "CH" to end of part number - **if ordered with cover installed, blocks are UL Recognized**

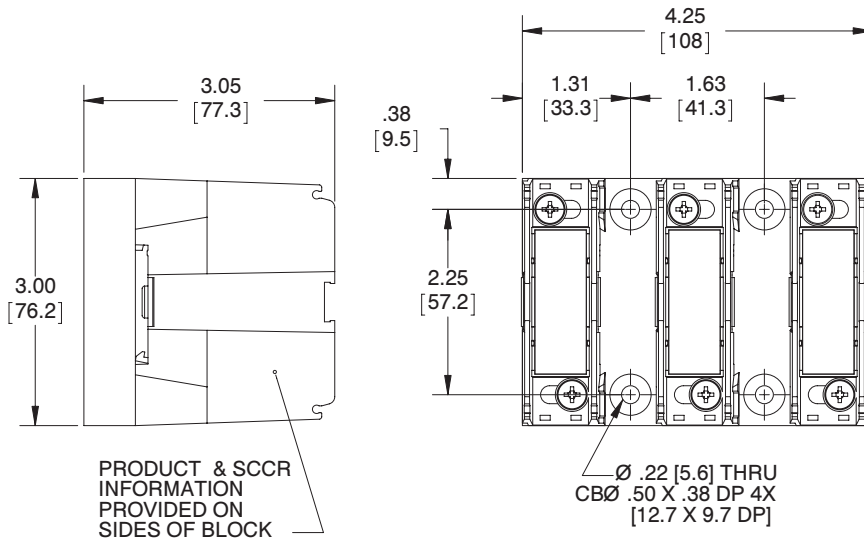
Catalog #	Current Amps (CU)	Connector Material	LINE SIDE			LOAD SIDE			SCCR RMS Sym Amps 600 volt Max
			Wire Range AWG/kcmil	Openings Per Pole	Connector Config.	Wire Range AWG/kcmil	Openings Per Pole	Connector Config.	
FPB23570	175	Aluminum	2/0 - #14	1		#4 - #14	4		100,000
FPB23572	175	Aluminum	2/0 - #14	1		2/0 - #14	1		100,000
FPB23574	175	Aluminum	2/0 - #14	1		1/4 - 20 stud	1		100,000
FPB23580	175	Aluminum	2/0 - #14	1		#4 - #14	6		100,000
FPB33553	335	Aluminum	400 kcmil - #6	1		#2 - #14	6		100,000
FPB33588	335	Aluminum	600 kcmil - #2	1		1/0 - #14	3		100,000
						#2 - #14	6		
FPB33595	335	Aluminum	600 kcmil - #2	1		#4 - #14	12		100,000

See page 38 for dimensional information.

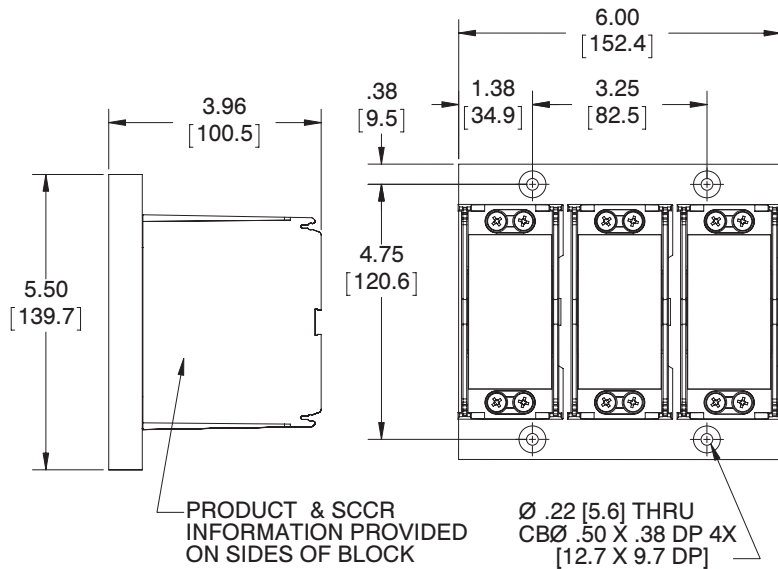
# UL Listed Power Distribution Blocks

## FPB23XXX

UL Listed  
Power Distribution Blocks



## FPB33XXX



For electronic drawings or 2D/3D CAD data, submit request at [www.marathonsp.com/drawings.html](http://www.marathonsp.com/drawings.html)

# UL Listed Power Distribution Blocks

## Specifications:

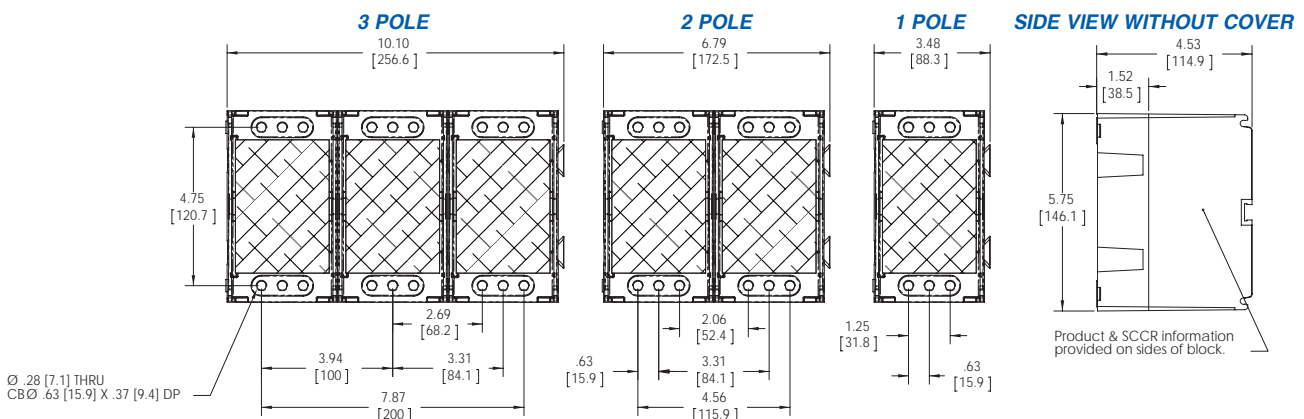
- Provides feeder circuit terminal spacing up to 1" through air and 2" over surface
- Rated for 600 Volts (AC/DC) per UL508A, Section 10
- Amperage Ratings up to 950A for copper wire and 770A for aluminum wire
- Line side accepts up to (2) 750 kcmil wires, per phase
- Load side accepts up to (2) 750 kcmil, (6) 250 kcmil, (8) 3/0 or (10) 2/0 wires, per phase
- Rated for flexible stranded copper wire (UL Class G/H/I/DLO) as well as copper and aluminum "code" wire (UL Class B/C)
- High-impact resistant thermoplastic insulator base, flame retardant and heat resistant
- Rated UL 94-V-0
- UL Temperature Rating 125°C
- Mounting: panel mount
- Material: Insulator - Thermoplastic; Connector - Aluminum
- Safety hinged cover available (CH 1351), 1 cover per pole - p. 58
- UL Listed (without cover), Investigated to UL 1953, File QPQS.E309401; UL Recognized (with cover)
- Short Circuit Current Ratings (SCCR) up to 100,000 SYM Amps
- RoHS Compliant



Shown: 1351708 (UL Listed) and 1353702 with accessory cover (UL Recognized)

To order blocks with cover installed, add "CH" to end of part number - if ordered with cover installed, blocks are UL Recognized

CATALOG #		Poles	Amps	LINE SIDE			LOAD SIDE			SCCR, RMS SYM Amps 600 Volt Max
UL Listed (Without Cover)	UL Recognized (With Cover)			Wire Range AWG/kcmil	Openings per Pole	Connector Config.	Wire Range AWG/kcmil	Openings per Pole	Connector Config.	
1351701	1351701CH	1	475	750 kcmil - 1/0 AWG	1		750 kcmil - 1/0 AWG	1		100,000
1352701	1352701CH	2								
1353701	1353701CH	3								
1351702	1351702CH	1	950	750 kcmil - 1/0 AWG	2		750 kcmil - 1/0 AWG	2		100,000
1352702	1352702CH	2								
1353702	1353702CH	3								
1351703	1351703CH	1	950	750 kcmil - 1/0 AWG	2		250 kcmil - 1/0 AWG	6		100,000
1352703	1352703CH	2								
1353703	1353703CH	3								
1351704	1351704CH	1	950	750 kcmil - 1/0 AWG	2		2/0 - 14 AWG	10		100,000
1352704	1352704CH	2								
1353704	1353704CH	3								
1351705	1351705CH	1	950	750 kcmil - 1/0 AWG	2		2-14 AWG	12		100,000
1352705	1352705CH	2								
1353705	1353705CH	3					250 kcmil - 6 AWG	3		
1351706	1351706CH	1	950	750 kcmil - 1/0 AWG	2		2-14 AWG	4		100,000
1352706	1352706CH	2								
1353706	1353706CH	3					250 kcmil - 6 AWG	5		
1351707	1351707CH	1	950	750 kcmil - 1/0 AWG	2		2-14 AWG	12		100,000
1352707	1352707CH	2								
1353707	1353707CH	3					3/0 - 6 AWG	4		
1351708	1351708CH	1	950	750 kcmil - 1/0 AWG	2		3/0 - 6 AWG	8		100,000
1352708	1352708CH	2								
1353708	1353708CH	3								



For electronic drawings or 2D/3D CAD data, submit request at [www.marathonsp.com/drawings.html](http://www.marathonsp.com/drawings.html)

Datasheets available at [marathonsp.com](http://marathonsp.com)

# UL Listed Enclosed Power Distribution Blocks

## Specifications:


### Electrical

- 600 Volts AC/DC (UL 1953)
- 1000 Volts (IEC)
- Up to 200 Amps
- Wire Range #2 to #14
- Flexible Stranded Wire Compliant

### Mechanical

- Base, Gray Thermoplastic, 125°C (257°F) (UL RTI)
- Flammability, UL 94 V-0
- Mounting: DIN or panel mount

### Standards

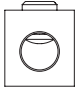
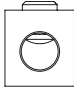
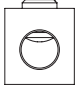
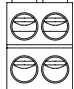
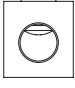
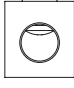
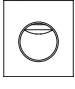
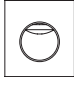
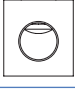
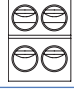
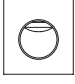
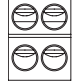
- UL Listed File No. QPQS.E309401 (UL 1953)
- CSA Certified File No. LR19766 (CSA C22-2 No. 158)
-  (Component IEC 60947-7-1)
- IEC 60529, IP-20
- RoHS Compliant



Shown left to right: EPBAD42, EPBAD45, EPBAD21, EPBAD24

### Accessories (consult Cust. Service)

- White Markers to Identify Circuits
- DIN Rail for Mounting Option (MN35-2)
- End Piece for DIN Rail (MSK35)

Catalog #	Amps	LINE SIDE			LOAD SIDE			SCCR, RMS SYM Amps 600 Volt Max
		Wire Range AWG/kcmil	Openings Per Pole	Connector Configuration	Wire Range AWG/kcmil	Openings Per Pole	Connector Configuration	
EPBAD21	115	#2 - #14 AWG 35 - 2.5 mm <sup>2</sup>	1		#2 - #14 AWG 35 - 2.5 mm <sup>2</sup>	1		100,000
EPBAD24	115	#2 - #14 AWG 35 - 2.5 mm <sup>2</sup>	1		#10 - #14 AWG 6 - 2.5 mm <sup>2</sup>	4		65,000
EPBAD42	200	3/0 - #14 AWG	1		3/0 - #14 AWG	1		100,000
EPBAP42		70 - 2.5 mm <sup>2</sup>			70 - 2.5 mm <sup>2</sup>			
EPBCD42	200	3/0 - #14 AWG	1		3/0 - #14 AWG	1		100,000
EPBCP42		70 - 2.5 mm <sup>2</sup>			70 - 2.5 mm <sup>2</sup>			
EPBAD45	200	3/0 - #14 AWG	1		#2 - #14 AWG	4		65,000 / 100,000
EPBAP45		70 - 2.5 mm <sup>2</sup>			35 - 2.5 mm <sup>2</sup>			
EPBCD45	200	3/0 - #14 AWG	1		#2 - #14 AWG	4		65,000 / 100,000
EPBCP45		70 - 2.5 mm <sup>2</sup>			35 - 2.5 mm <sup>2</sup>			

### Ordering Code:

See page 41 for dimensional information.

EPB

A

D

42

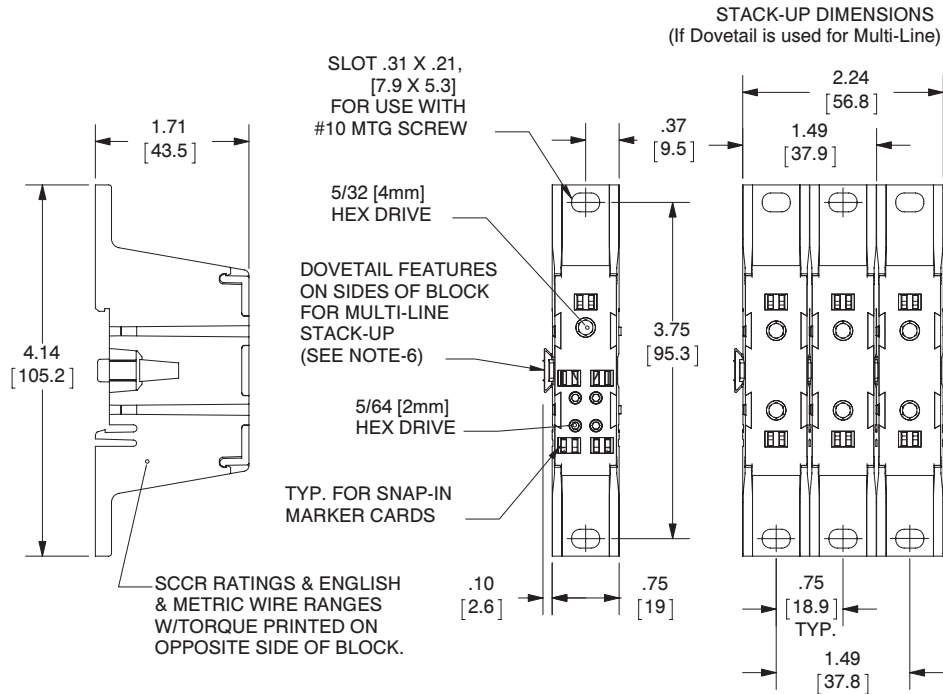
**Connector Material:**  
A - Aluminum rated copper  
or aluminum wire  
C - Copper CU wire only

**Mounting:**  
D - Mount on 35 mm DIN rail  
P - Flat panel  
  
(21/24 are DIN and panel mountable)

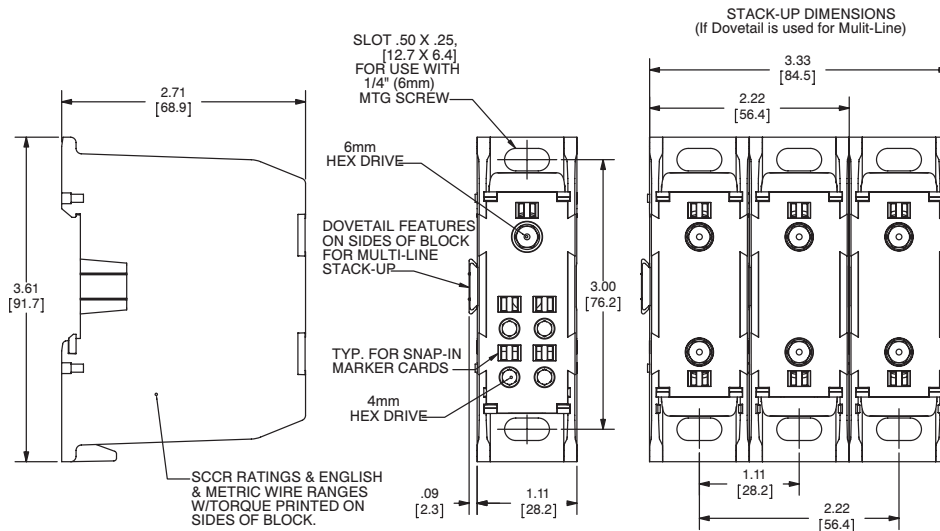
21 - (1) #2 to (1) #2  
24 - (1) #2 to (4) #10  
42 - (1) 3/0 to (1) 3/0  
45 - (1) 3/0 to (4) #2

# UL Listed Enclosed Power Distribution Blocks (cont.)

## EPBAD21/EPBAD24



## EPBXX42/EPBXX45



For electronic drawings or 2D/3D CAD data, submit request at [www.marathonsp.com/drawings.html](http://www.marathonsp.com/drawings.html)

Datasheets available at [marathonsp.com](http://marathonsp.com)

# Enclosed Power Distribution Blocks

## Specifications:

### Electrical

- 600 Volts AC/DC+ (IEC - 690 Volts AC/DC)
- Up to 510 Amps
- Wire Range 2/0 to 400 kcmil
- Flexible Stranded Wire Compliant

### Mechanical

- Base, Gray Thermoplastic, 125°C (UL RTI)
- Flammability, UL 94 V-0
- Mounting: DIN or panel mount

### Standards

- UL Recognized File No. XCFR2.E62806 (UL 1059)
- CSA Certified File No. LR19766 (CSA C22.2 No. 158)
- CE (IEC 60947-7-1)
- IEC 60529, IP-20
- RoHS Compliant

### Multiple Wire Ratings

Copper Stranded Wire Only  
Load Side Taps Only

#### #2 opening:

- (2) #6 AWG
- (2) #8 AWG
- (2 to 4) #10 AWG
- (2 to 4) #12 AWG
- (2 to 4) #14 AWG

#### 2/0 opening:

- (2) #4 AWG
- (2) #6 AWG
- (2) #8 AWG
- (2) #10 AWG
- (2) #12 AWG
- (2) #14 AWG

### Connector Wire Hole Size

#### Conductor opening:

- #2 - #14 AWG
- 2/0 - #14 AWG
- 250 kcmil - #6 AWG
- 400 kcmil - #6 AWG

#### Diameter of opening:

- .38"
- .50"
- .72"
- .94"

### Accessories (consult Cust. Service)

- White Markers to Identify Circuits
- Black Thermoplastic Safety Plugs (EPB Plug #2, EPB Plug 2/0, EPB Plug 250, EPB Plug 400)
- Feeder Spacing Adapter Plate (see p 36)



Shown left to right: EPBAD74, EPBAD71

Catalog #	Amps	LINE SIDE			LOAD SIDE			SCCR, RMS SYM Amps 600 Volt Max
		Wire Range AWG/kcmil	Openings Per Pole	Connector Config.	Wire Range AWG/kcmil	Openings Per Pole	Connector Config.	
EPBAD71	510	250 kcmil - #6 AWG 120 - 16 mm <sup>2</sup>	2		250 kcmil - #6 AWG 120 - 16 mm <sup>2</sup>	2		10,000
EPBCD71								
EPBAP71								
EPBCP71								
EPBAD74	335	400 kcmil - #6 AWG 185 - 16 mm <sup>2</sup>	1		#2 - #14 35 - 2.5mm <sup>2</sup>	8		10,000
EPBCD74								
EPBAP74			1					100,000
EPBCP74			70 - 2.5 mm <sup>2</sup>					

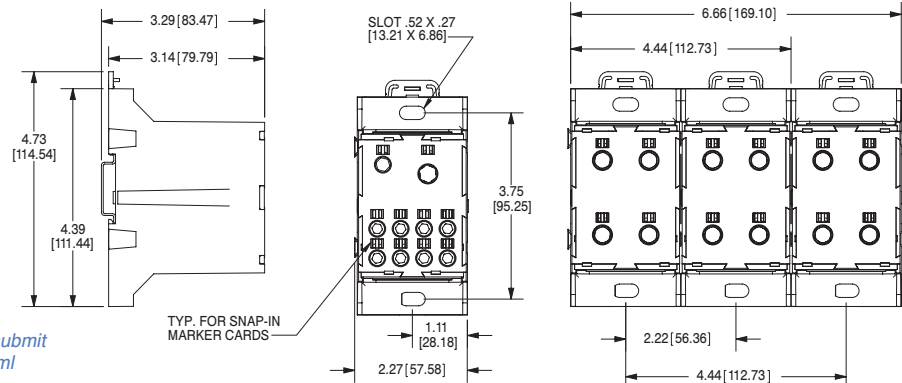
### Ordering Code:



**Connector Material:**  
A - Aluminum rated copper or aluminum wire  
C - Copper rated copper wire only

D - Mount on 35 mm DIN rail or flat panel  
P - Flat panel

71 - (2) 250 kcmil to (2) 250 kcmil  
74 - (1) 400 kcmil to (1) 2/0 to (8) #2



For electronic drawings or 2D/3D CAD data, submit request at [www.marathonsp.com/drawings.html](http://www.marathonsp.com/drawings.html)



# Power Terminal Blocks

## General Information:

Barrier Style Power Terminal Blocks are available in eight sizes. They are identified by the first three digits of the catalog number. The 140, 142, 143, 144 and 145 series are manufactured with general purpose phenolic rated at 150°C. The 141, 132 and 133 series are manufactured with high impact thermoplastic rated at 125°C.

## Connector Wire Hole Size:

Conductor Opening		Diameter of Opening	
English	Metric	Inch	Metric
#10 AWG	6	.158"	4.0
#4 AWG	25	.250"	6.4
#2 AWG	35	.312"	7.9
1/0	50	.406"	10.3
2/0	70	.438"	11.1
3/0	95	.532"	13.5
250 kcmil	120	.630"	16.0
350 kcmil	185	.718"	18.2
400 kcmil	-	.769"	-
500 kcmil	240	.875"	22.2
600 kcmil	300	.938"	23.8
750 kcmil	-	1.125"	-
1000 kcmil	-	1.250"	-

\* Enclosed blocks have larger openings (see page 42)

## Ratings and Standards:

The voltage ratings of terminal blocks are based upon the minimum spacing between electrically conductive parts line to line through air and over surface and line to ground through air and over surface.

### Class A

Service equipment including deadfront switchboards, panel boards, service entrance devices.

### Class B

Commercial appliances including business equipment, electronic data processing equipment and the like.

### Class C

General industrial and machine tool controls which can be further defined as equipment falling under UL 508. Ratings based on UL 1059 may be higher in some cases depending on application.

## Spacing Requirements (in inches):

	Voltage	Thru Air	Over Surface
Class A	51-150	.500	.750
	151-300	.750	1.250
	301-600	1.000	2.000
Class B	51-150	.063	.063
	151-300	.094	.094
	301-600	.375	.500
Class C	51-150	.125	.250
	151-300	.250	.375
	301-600	.375	.500

## Applications:

Designed for use with solar, wind, alternate energy, transportation, heating, air conditioning and refrigeration, elevator systems, material handling equipment, control panels, motor control, switchgear and any area where power needs to be distributed to more than one load.



# Power Distribution Blocks

## 600 Volts AC/DC

### Specifications:

- Connector, High Conductive Aluminum, Tin Plated, Rated for Copper and Aluminum Wire
- CU Connector, High Conductive Copper, Tin Plated, Rated for Copper Wire Only
- Multiple wire rating - refer to datasheets for details
- UL Recognized File No. XCFR2.E62806
- CSA Certified File No. LR19766
- **CE** - Up to 1000 Volts AC/DC
- Flexible Stranded Wire Compliant
- RoHS Compliant



1423570



1414400

Replace "X" with # of poles (0 = Adder)

Catalog #	Hinge Cover	Poles (X)	Amps	MATERIAL		LINE SIDE			LOAD SIDE		
				Insulator	Conn.	Wire Range AWG/kcmil	Openings Per Pole	Connector Configuration	Wire Range AWG/kcmil	Openings Per Pole	Connector Configuration
141X403		1/2/3/4	60	Plastic	AL	#2 - #14 AWG	1		#10 - #16 AWG	2	
141X400		1/2/3/4	115	Plastic	AL	#2 - #14 AWG	1		#10 - #18 AWG	4	
132X570	CH	0/1/2/3	175	Plastic	AL	2/0 - #14 AWG	1		#4 - #14 AWG	4	
142X570		1/2/3	175	Phenolic	AL	2/0 - #14 AWG	1		#4 - #14 AWG	4	
132X580	CH	0/1/2/3	175	Plastic	AL	2/0 - #14 AWG	1		#4 - #14 AWG	6	
140X402		2/3	175	Phenolic	AL	2/0 - #14 AWG	1		#4 - #14 AWG	4	
140X401		2/3	175	Phenolic	AL	2/0 - #14 AWG	1		#4 - #14 AWG	6	
132X970	CH	0/1/2/3	175	Plastic	CU	2/0 - #14 AWG	1		#4 - #14 AWG	4	
142X970		1/2/3	175	Phenolic	CU	2/0 - #14 AWG	1		#4 - #14 AWG	4	
140X404		2/3	310	Phenolic	AL	350 kcmil - #6 AWG	1		#4 - #14 AWG	6	
133X554	CH	1/2/3	310	Plastic	AL	350 kcmil - #6 AWG	1		2/0 - #14 AWG	2	
140X410		2/3	310	Phenolic	AL	350 kcmil - #6 AWG	1		2/0 - #14 AWG	2	

CH = Block is also available with hinge cover attached - include "CH" at end of part number when ordering (not available on Adder blocks) - See page 58 for available covers

See pages 55-57 for dimensional information

# Power Distribution Blocks

## 600 Volts AC/DC

### Specifications:

- Connector, High Conductive Aluminum, Tin Plated, Rated for Copper and Aluminum Wire
- CU Connector, High Conductive Copper, Tin Plated, Rated for Copper Wire Only
- Multiple wire rating - refer to datasheets for details
- UL Recognized File No. XCFR2.E62806
- CSA Certified File No. LR19766
- CE - Up to 1000 Volts AC/DC
- Flexible Stranded Wire Compliant
- RoHS Compliant



1443560



1433553

Replace "X" with # of poles

Catalog #	Hinge Cover	Poles (X)	Amps	MATERIAL		LINE SIDE			LOAD SIDE		
				Insulator	Conn.	Wire Range AWG/kcmil	Openings Per Pole	Connector Configuration	Wire Range AWG/kcmil	Openings Per Pole	Connector Configuration
143X554		1/2/3	310	Phenolic	AL	350 kcmil - #6 AWG	1		2/0 - #14 AWG	2	
144X401		1/2/3	335	Phenolic	AL	400 kcmil - #6 AWG	1		#2 - #14 AWG	6	
143X552		1/2/3	335	Phenolic	AL	400 kcmil - #6 AWG	1		#2 - #14 AWG	4	
143X553		1/2/3	335	Phenolic	AL	400 kcmil - #6 AWG	1		#2 - #14 AWG	6	
144X560		1/2/3	335	Phenolic	AL	400 kcmil - #6 AWG	1		#2 - #14 AWG	8	
133X552	CH	1/2/3	335	Plastic	AL	400 kcmil - #6 AWG	1		#2 - #14 AWG	4	
143X555		1/2/3	350	Phenolic	AL	2/0 - #14 AWG	2		#4 - #14 AWG	6	
133X555	CH	1/2/3	350	Plastic	AL	2/0 - #14 AWG	2		#4 - #14 AWG	6	
143X955		1/2/3	350	Phenolic	CU	2/0 - #14 AWG	2		#4 - #14 AWG	6	
133X955	CH	1/2/3	350	Plastic	CU	2/0 - #14 AWG	2		#4 - #14 AWG	6	
143X953		1/2/3	380	Phenolic	CU	500 kcmil - #4 AWG	1		#2 - #14 AWG	6	

CH = Block is also available with hinge cover attached - include "CH" at end of part number when ordering (not available on Adder blocks) - See page 58 for available covers

See pages 55-57 for dimensional information

# Power Distribution Blocks (cont.)

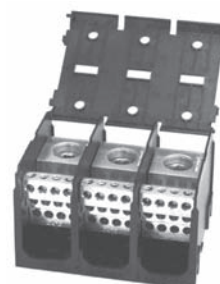
## 600 Volts AC/DC

### Specifications:

- Connector, High Conductive Aluminum, Tin Plated, Rated for Copper and Aluminum Wire
- CU Connector, High Conductive Copper, Tin Plated, Rated for Copper Wire Only
- Multiple wire rating - refer to datasheets for details
- UL Recognized File No. XCFR2.E62806
- CSA Certified File No. LR19766
- $\text{CE}$  - Up to 1000 Volts AC/DC
- Flexible Stranded Wire Compliant
- RoHS Compliant



1333588 CH



1333595 CH

Replace "X" with # of poles

Catalog #	Hinge Cover	Poles (X)	Amps	MATERIAL		LINE SIDE			LOAD SIDE		
				Insulator	Conn.	Wire Range AWG/kcmil	Openings Per Pole	Connector Configuration	Wire Range AWG/kcmil	Openings Per Pole	Connector Configuration
133X953	CH	1/2/3	380	Plastic	CU	500 kcmil - #4 AWG	1		#2 - #14 AWG	6	
144X551		1/2/3	380	Phenolic	AL	500 kcmil - #4 AWG	1		#2 - #14 AWG	6	
145X579		1/2/3	380	Phenolic	AL	500 kcmil - #4 AWG	1		2/0 - #14 AWG	6	
133X587	CH	1/2/3	380	Plastic	AL	500 kcmil - #4 AWG	1		#2 - #14 AWG 350 kcmil - #6 AWG	3 1	
143X587		1/2/3	380	Phenolic	AL	500 kcmil - #4 AWG	1		#2 - #14 AWG 350 kcmil - #6 AWG	3 1	
145X594		1/2/3	380	Phenolic	AL	500 kcmil - #4 AWG	1		#2 - #14 AWG	8	
145X552		1/2/3	380	Phenolic	AL	500 kcmil - #4 AWG	1		#2 - #14 AWG	12	
133X588	CH	1/2/3	420	Plastic	AL	600 kcmil - #2 AWG	1		#2 - #14 AWG 1/0 - #14 AWG	6 3	
133X595	CH	1/2/3	420	Plastic	AL	600 kcmil - #2 AWG	1		4 - #14 AWG	12	
133X585	CH	1/2/3	420	Plastic	AL	600 kcmil - #2 AWG	1		2 - #14 AWG	8	
133X575	CH	1/2/3	420	Plastic	AL	600 kcmil - #2 AWG	1		2/0 - #14 AWG	4	
133X565	CH	1/2/3	420	Plastic	AL	600 kcmil - #2 AWG	1		250 kcmil - #6 AWG	2	

CH = Block is also available with hinge cover attached - include "CH" at end of part number when ordering - See page 58 for available covers

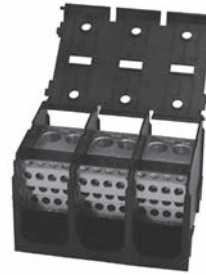
See pages 55-57 for dimensional information

# Power Distribution Blocks (cont.)

## 600 Volts AC/DC

### Specifications:

- Connector, High Conductive Aluminum, Tin Plated, Rated for Copper and Aluminum Wire
- CU Connector, High Conductive Copper, Tin Plated, Rated for Copper Wire Only
- Multiple wire rating - refer to datasheets for details
- UL Recognized File No. XCFR2.E62806
- CSA Certified File No. LR19766
- CE - Up to 1000 Volts AC/DC
- Flexible Stranded Wire Compliant
- RoHS Compliant



1333596 CH



1333598 CH

Replace "X" with # of poles

Catalog #	Hinge Cover	Poles (X)	Amps	MATERIAL		LINE SIDE			LOAD SIDE		
				Insulator	Conn.	Wire Range AWG/kcmil	Openings Per Pole	Connector Configuration	Wire Range AWG/kcmil	Openings Per Pole	Connector Configuration
133X596	CH	1/2/3	510	Plastic	AL	250 kcmil - 1/0 AWG	2		#4 - #14 AWG	12	
133X597	CH	1/2/3	510	Plastic	AL	250 kcmil - 1/0 AWG	2		#2 - #14 AWG	8	
133X598	CH	1/2/3	510	Plastic	AL	250 kcmil - 1/0 AWG	2		2/0 - #14 AWG	4	
145X587		1/2/3	690	Phenolic	AL	500 kcmil - #4 AWG 350 kcmil - #4 AWG	1 1		2/0 - #14 AWG	4	
145X592		1/2/3	760	Phenolic	AL	500 kcmil - #4 AWG	2		#4 - #14 AWG	12	
145X586		1/2/3	760	Phenolic	AL	500 kcmil - #6 AWG	2		2/0 - #14 AWG	8	
145X992		1/2/3	760	Phenolic	CU	500 kcmil - #4 AWG	2		#2 - #14 AWG	12	
145X986		1/2/3	760	Phenolic	CU	500 kcmil - #4 AWG	2		2/0 - #14 AWG	8	
145X408		1/2/3	760	Phenolic	AL	500 kcmil - #6 AWG	2		#2 - #14 AWG	12	
145X411		1/2/3	840	Phenolic	AL	600 kcmil - #2 AWG	2		3/0 - #6 AWG #4 - #14 AWG	4 4	
1453401*		1	2280	Phenolic	AL	500 kcmil - #4 AWG	6		2/0 - #14 AWG	18	

CH = Block is also available with hinge cover attached - include "CH" at end of part number when ordering - See page 58 for available covers

See pages 55-57 for dimensional information

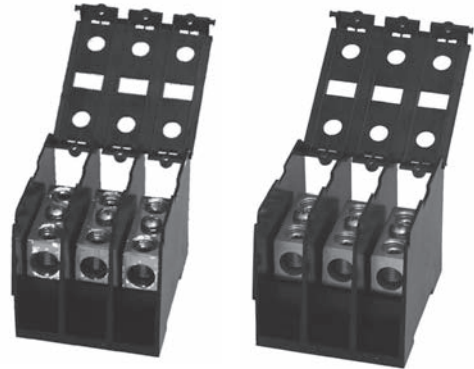
\*Special one-pole block. Apply Power Block Dimensions for 145 Series block on page 57 (3 pole).

# Power Splicer Blocks

## 600 Volts AC/DC

### Specifications:

- Connector, High Conductive Aluminum, Tin Plated, Rated for Copper and Aluminum Wire
- CU Connector, High Conductive Copper, Tin Plated, Rated for Copper Wire Only
- Multiple wire rating - refer to datasheets for details
- UL Recognized File No. XCFR2.E62806
- CSA Certified File No. LR19766
- Ⓢ - Up to 1000 Volts AC/DC
- Flexible Stranded Wire Compliant
- RoHS Compliant



1323972 CH

1323572 CH

Replace "X" with # of poles (0 = Adder)

Catalog #	Hinge Cover	Poles (X)	Amps	MATERIAL		LINE SIDE			LOAD SIDE		
				Insulator	Conn.	Wire Range AWG/kcmil	Openings Per Pole	Connector Configuration	Wire Range AWG/kcmil	Openings Per Pole	Connector Configuration
141X300		1/2/3/4	115	Plastic	AL	#2 - #14 AWG	1		#2 - #14 AWG	1	
142X552		1/2/3	115	Phenolic	AL	#2 - #14 AWG	1		#2 - #14 AWG	1	
132X572	CH	0/1/2/3	175	Plastic	AL	2/0 - #14 AWG	1		2/0 - #14 AWG	1	
142X572		1/2/3	175	Phenolic	AL	2/0 - #14 AWG	1		2/0 - #14 AWG	1	
132X972	CH	0/1/2/3	175	Plastic	CU	2/0 - #14 AWG	1		2/0 - #14 AWG	1	
142X121		1/2/3	175	Phenolic	CU	1/0 - #14 AWG	1		1/0 - #14 AWG	1	
143X124		1/2/3	255	Phenolic	CU	250 kcmil - #6 AWG	1		250 kcmil - #6 AWG	1	
140X801		2/3	255	Phenolic	CU	250 kcmil - #6 AWG	1		250 kcmil - #6 AWG	1	
143X123		1/2/3	255	Phenolic	AL	250 kcmil - #6 AWG	1		250 kcmil - #6 AWG	1	
140X303		2/3	310	Phenolic	AL	350 kcmil - #6 AWG	1		350 kcmil - #6 AWG	1	
143X126		1/2/3	310	Phenolic	AL	350 kcmil - #6 AWG	1		350 kcmil - #6 AWG	1	

CH = Block is also available with hinge cover attached - include "CH" at end of part number when ordering (not available on Adder blocks) - See page 58 for available covers

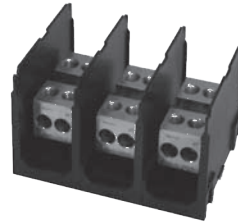
See pages 55-57 for dimensional information

# Power Splicer Blocks (cont.)

## 600 Volts AC/DC

### Specifications:

- Connector, High Conductive Aluminum, Tin Plated, Rated for Copper and Aluminum Wire
- CU Connector, High Conductive Copper, Tin Plated, Rated for Copper Wire Only
- Multiple wire rating - refer to datasheets for details
- UL Recognized File No. XCFR2.E62806
- CSA Certified File No. LR19766
- CE - Up to 1000 Volts AC/DC
- Flexible Stranded Wire Compliant
- RoHS Compliant



















1333305



1453129

Replace "X" with # of poles

Catalog #	Hinge Cover	Poles (X)	Amps	MATERIAL		LINE SIDE			LOAD SIDE		
				Insulator	Conn.	Wire Range AWG/kcmil	Openings Per Pole	Connector Configuration	Wire Range AWG/kcmil	Openings Per Pole	Connector Configuration
133X126	CH	1/2/3	310	Plastic	AL	350 kcmil - #6 AWG	1		350 kcmil - #6 AWG	1	
133X305	CH	1/2/3	350	Plastic	AL	2/0 - #14 AWG	2		2/0 - #14 AWG	2	
143X306		1/2/3	350	Phenolic	AL	2/0 - #14 AWG	2		2/0 - #14 AWG	2	
144X557		1/2/3	420	Phenolic	AL	600 kcmil - #4 AWG	1		600 kcmil - #4 AWG	1	
133X360	CH	1/2/3	420	Plastic	AL	600 kcmil - #2 AWG	1		600 kcmil - #2 AWG	1	
133X320	CH	1/2/3	510	Plastic	AL	250 kcmil - 1/0 AWG	2		250 kcmil - 1/0 AWG	2	
145X129		1/2/3	620	Phenolic	AL	350 kcmil - #4 AWG	2		350 kcmil - #4 AWG	2	
145X301		1/2/3	760	Phenolic	AL	500 kcmil - #4 AWG	2		500 kcmil - #4 AWG	2	

CH = Block is also available with hinge cover attached - include "CH" at end of part number when ordering - See page 58 for available covers

See pages 55-57 for dimensional information

# Power Stud Blocks

## 600 Volts AC/DC

### Specifications:

- Connector, High Conductive Copper, Tin Plated
- Stud, Brass, Tin Plated, Metric (M) Studs, Steel
- Rated for multiple wire lugs, where applicable
- Suitable for Compression Wire Lugs
- Multiple wire rating - refer to datasheets for details
- UL Recognized File No. XCFR2.E62806
- CSA Certified File No. LR19766
- **CE** - Up to 1000 Volts AC/DC
- Flexible Stranded Wire Compliant
- RoHS Compliant



1423122



1423123

Replace "X" with # of poles (0 = Adder)

Catalog #	Hinge Cover	Poles (X)	Amps	MATERIAL		LINE SIDE			LOAD SIDE		
				Insulator	Conn.	Wire Range AWG/kcmil	Openings Per Pole	Connector Configuration	Wire Range AWG/kcmil	Openings Per Pole	Connector Configuration
132X122	CH	0/1/2/3	200	Plastic	CU	1/4-20 x 9/16	1		1/4-20 x 9/16	1	
132X422	CH	0/1/2/3	200	Plastic	CU	M6 x 15	1		M6 x 15	1	
142X123		1/2/3	200	Phenolic	CU	1/4-20 Screw	1		1/4-20 Screw	1	
142X122		1/2/3	200	Phenolic	CU	1/4-20 x 9/16	1		1/4-20 x 9/16	1	
143X563		1/2/3	230	Phenolic	CU	3/8-16 x 1 3/16	1		3/8-16 x 1 3/16	1	
143X561		1/2/3	230	Phenolic	CU	3/8-16 x 1 3/16	1		1/4-20 x 1 3/16	1	
144X553		1/2/3	230	Phenolic	CU	3/8-16 x 1 7/16	1		3/8-16 x 1 7/16	1	
144X122		1/2/3	260	Phenolic	CU	3/8-16 x 1 7/16	1		1/4-20 x 1 9/16	2	
133X564	CH	1/2/3	310	Plastic	CU	M10 X 30	1		M10 X 30	1	
133X563	CH	1/2/3	310	Plastic	CU	3/8-16 x 1 3/16	1		3/8-16 x 1 3/16	1	
145X573		1/2/3	360	Phenolic	CU	3/8-16 x 1 7/16	1		3/8-16 x 1 7/16	2	
145X583		1/2/3	360	Phenolic	CU	3/8-16 x 1 7/16	1		1/4-20 X 1 7/16	2	

CH = Block is also available with hinge cover attached - include "CH" at end of part number when ordering (not available on Adder blocks) - See page 58 for available covers

See pages 55-57 for dimensional information

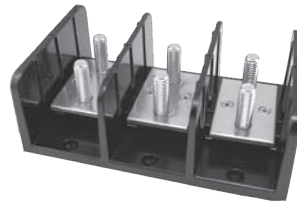


# Power Stud Blocks (cont.)

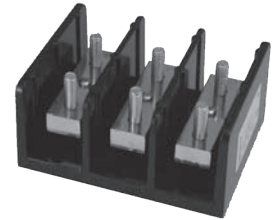
## 600 Volts AC/DC

### Specifications:

- Connector, High Conductive Copper, Tin Plated
- Stud, Brass, Tin Plated, Metric (M) Studs, Steel
- Rated for multiple wire lugs, where applicable
- Suitable for Compression Wire Lugs
- Multiple wire rating - refer to datasheets for details
- UL Recognized File No. XCFR2.E62806
- CSA Certified File No. LR19766
- CE - Up to 1000 Volts AC/DC
- Flexible Stranded Wire Compliant
- RoHS Compliant



1453606



1443614

Replace "X" with # of poles (0 = Adder)

Catalog #	Hinge Cover	Poles (X)	Amps	MATERIAL		LINE SIDE			LOAD SIDE		
				Insulator	Conn.	Wire Range AWG/kcmil	Openings Per Pole	Connector Configuration	Wire Range AWG/kcmil	Openings Per Pole	Connector Configuration
145X606		1/2/3	410	Phenolic	CU	1/2-13 x 1 7/16	1		1/2-13 x 1 7/16	1	
133X611	CH	1/2/3	410	Plastic	CU	1/2-13 x 1.38	1		1/2-13 x 1.38	1	
145X613		1/2/3	475	Phenolic	CU	3/8-10 x 1 7/16	2		3/8-10 x 1 7/16	1	
144X614		1/2/3	840	Phenolic	CU	3/8-16 x 1	1		3/8-16 x 1	1	

See pages 55-57 for dimensional information  
See page 58 for available covers

# Miscellaneous Power Splicer Blocks

## 600 Volts AC/DC

### Specifications:

- Connector, High Conductive Aluminum, Tin Plated
- Rated for Copper and Aluminum Wire
- Stud, Brass, Tin Plated
- Quick Connect, Brass, Tin Plated
- 10-32 Screw, Brass, Nickel Plated
- Multiple wire rating - refer to datasheets for details
- UL Recognized File No. XCFR2.E62806
- CSA Certified File No. LR19766
- **CE** - Up to 1000 Volts AC/DC
- Flexible Stranded Wire Compliant
- RoHS Compliant



1413202



1413205

Replace "X" with # of poles (0 = Adder)

Catalog #	Hinge Cover	Poles (X)	Amps	MATERIAL		LINE SIDE			LOAD SIDE		
				Insulator	Conn.	Wire Range AWG/kcmil	Openings Per Pole	Connector Configuration	Load Connection	Openings Per Pole	Connector Configuration
141X200		1/2/3/4	115	Plastic	AL	#2 - #14 AWG	1		10-32 Screw	1	
141X201		1/2/3/4	115	Plastic	AL	#2 - #14 AWG	1		10-32 Tapped Hole	1	
141X202		1/2/3/4	115	Plastic	AL	#2 - #14 AWG	1		.25 x .032 QC	4	
141X205		1/2/3/4	115	Plastic	AL	#2 - #14 AWG	1		#10-32 Hole & (2) QC	1	
141X301		1/2/3/4	115	Plastic	AL	#2 - #14 AWG	1		#2 - #14 AWG & (1) QC	1	
142X411		1/2/3	175	Phenolic	AL	2/0 - #14 AWG	1		M6 Hole	1	
142X553		1/2/3	175	Phenolic	AL	2/0 - #14 AWG	1		1/4-20 Tapped Hole	1	
142X579		1/2/3	175	Phenolic	AL	2/0 - #14 AWG	1		2/0 - #14 AWG & (1) QC	1	
132X579	CH	0/1/2/3	175	Plastic	AL	2/0 - #14 AWG	1		2/0 - #14 AWG & (1) QC	1	
142X670		1/2/3	175	Phenolic	AL	2/0 - #14 AWG	1		#4 - #14 AWG & (1) QC	4	
132X670	CH	0/1/2/3	175	Plastic	AL	2/0 - #14 AWG	1		#4 - #14 AWG & (1) QC	4	

CH = Block is also available with hinge cover attached - include "CH" at end of part number when ordering (not available on Adder blocks) - See page 58 for available covers

See page 58 for available covers  
See pages 55-57 for dimensional information

# Power Splicer/Stud Blocks

## 600 Volts AC/DC

### Specifications:

- Connector, High Conductive Aluminum, Tin Plated, Rated for Copper and Aluminum Wire
- Stud, Brass, Tin Plated, Metric (M) Studs, Steel - intended for wires terminated with crimp lugs
- Multiple wire rating - refer to datasheets for details
- UL Recognized File No. XCFR2.E62806
- CSA Certified File No. LR19766
- **CE** - Up to 1000 Volts AC/DC (does not apply to 133X559, 133X558, and 143X559)
- Flexible Stranded Wire Compliant
- RoHS Compliant



1433559



1453599

Replace "X" with # of poles (0 = Adder)

Catalog #	Hinge Cover	Poles (X)	Amps	MATERIAL		LINE SIDE			LOAD SIDE		
				Insulator	Conn.	Wire Range AWG/kcmil	Openings Per Pole	Connector Configuration	Wire Range AWG/kcmil	Openings Per Pole	Connector Configuration
141X203		1/2/3/4	115	Plastic	AL	#2 - #14 AWG	1		10-32 X .60 Stud	1	
132X574	CH	0/1/2/3	175	Plastic	AL	2/0 - #14 AWG	1		1/4-20 x 1/2	1	
132X474	CH	0/1/2/3	175	Plastic	AL	2/0 - #14 AWG	1		M6 x 13	1	
142X574		1/2/3	175	Phenolic	AL	2/0 - #14 AWG	1		1/4-20 x 1/2	1	
143X590		1/2/3	175	Phenolic	AL	2/0 - #14 AWG	1		1/4-20 x 1 3/8	1	
143X559		1/2/3	310	Phenolic	AL	350 kcmil - #6 AWG	1		3/8-16 x 11/8 Stud	1	
133X559	CH	1/2/3	310	Plastic	AL	350 kcmil - #6 AWG	1		3/8-16 x 1 1/4	1	
133X558	CH	1/2/3	310	Plastic	AL	350 kcmil - #6 AWG	1		M10 x 30	1	
144X569		1/2/3	380	Phenolic	AL	500 kcmil - #4 AWG	1		1/4-20 x 1 1/16	2	
144X575		1/2/3	380	Phenolic	AL	500 kcmil - #4 AWG	1		3/8 - 16 x 1 5/16	1	
145X599		1/2/3	760	Phenolic	AL	500 kcmil - #4 AWG	2		3/8 - 16 x 1 5/16	2	
145X610		1/2/3	760	Phenolic	AL	500 kcmil - #4 AWG	2		1/2-13 x 1 5/16	1	

CH = Block is also available with hinge cover attached - include "CH" at end of part number when ordering (not available on Adder blocks) - See page 58 for available covers

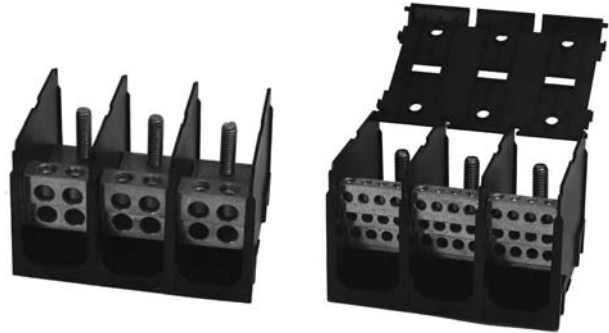
See pages 55-57 for dimensional information

# Power Stud to Distribution Blocks

## 600 Volts AC/DC

### Specifications:

- Connector, High Conductive Aluminum, Tin Plated, Rated for Copper and Aluminum Wire
- Stud, Brass, Tin Plated, Metric (M) Studs, Steel - intended for wires terminated with crimp lugs
- Rated for multiple wire lugs, where applicable
- Multiple wire rating - refer to datasheets for details
- UL Recognized File No. XCFR2.E62806
- CSA Certified File No. LR19766
- CE - Up to 1000 Volts AC/DC
- Flexible Stranded Wire Compliant
- RoHS Compliant



1333270

1333273 CH

Replace "X" with # of poles

Catalog #	Hinge Cover	Poles (X)	Amps	MATERIAL		LINE SIDE			LOAD SIDE		
				Insulator	Conn.	Threaded Stud Size	Openings Per Pole	Connector Configuration	Wire Range AWG/kcmil	Openings Per Pole	Connector Configuration
133X272	CH	1/2/3	510	Plastic	AL	3/8-16 x 1 3/16"	1		#4 - #14 AWG	12	
133X273	CH	1/2/3	510	Plastic	AL	M10 x 30	1		#4 - #14 AWG	12	
133X280	CH	1/2/3	510	Plastic	AL	3/8-16 x 1 3/16"	1		#2 - #14 AWG	8	
133X281	CH	1/2/3	510	Plastic	AL	M10 x 30	1		#2 - #14 AWG	8	
133X270	CH	1/2/3	510	Plastic	AL	3/8-16 x 1 3/16"	1		2/0 - #14 AWG	4	
133X271	CH	1/2/3	510	Plastic	AL	M10 x 30	1		2/0 - #14 AWG	4	
145X282*		1/2/3	760	Phenolic	AL	3/8-16 x 1.00	2		2/0 - #14 AWG	8	

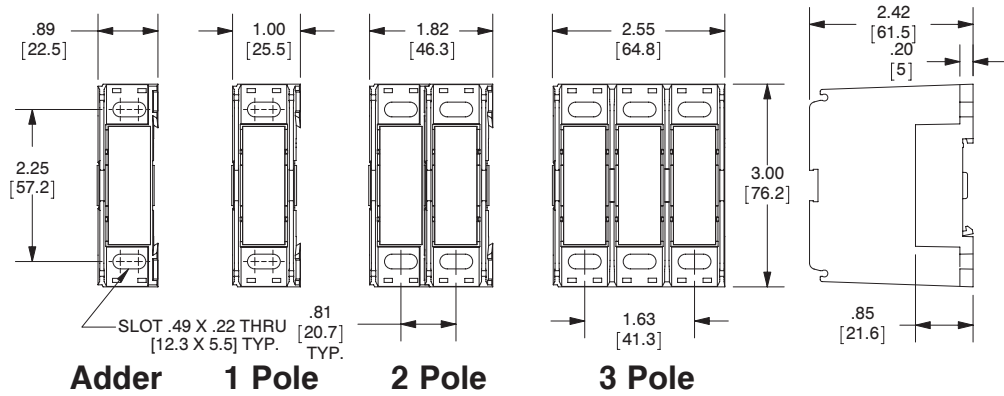
CH = Block is also available with hinge cover attached - include "CH" at end of part number when ordering - See page 58 for available covers

See pages 55-57 for dimensional information

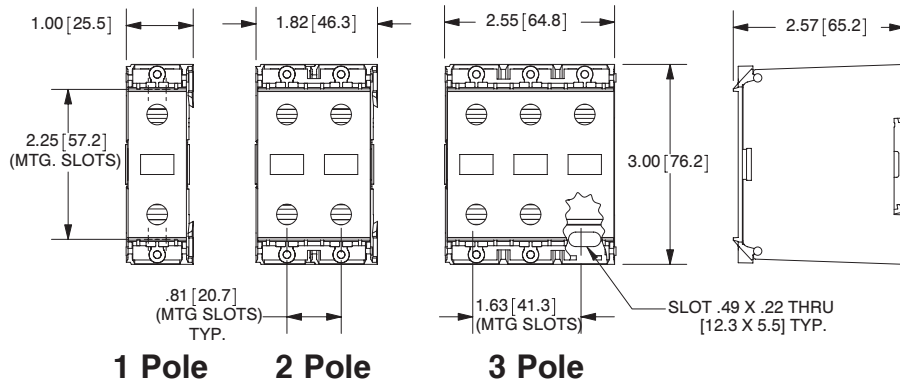
\*cURus only

# Power Terminal Block Dimensions

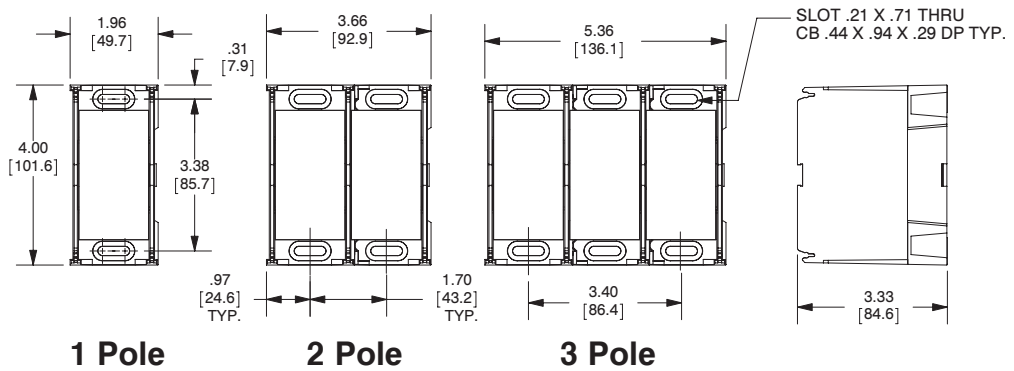
## 132 SERIES



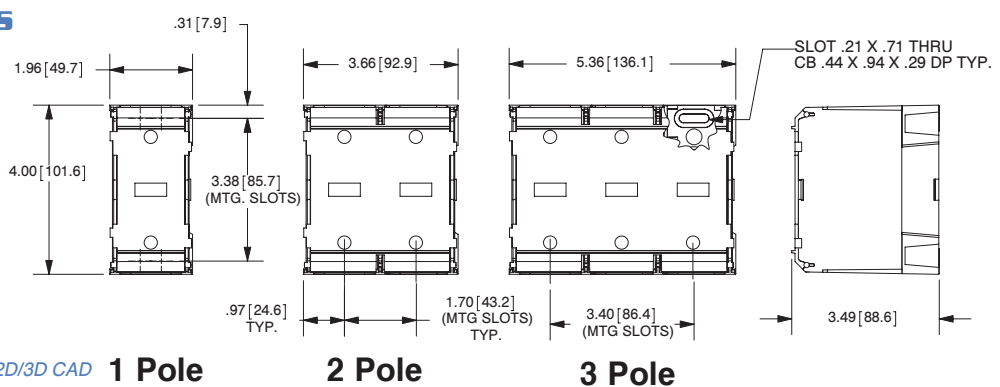
## 132 CH SERIES



## 133 SERIES



## 133 CH SERIES

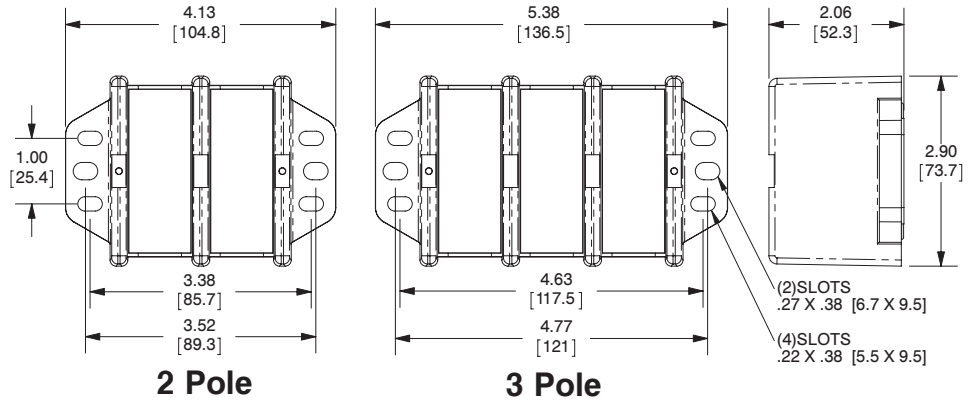


For electronic drawings or 2D/3D CAD data, submit request at [www.marathonsp.com/drawings.html](http://www.marathonsp.com/drawings.html)

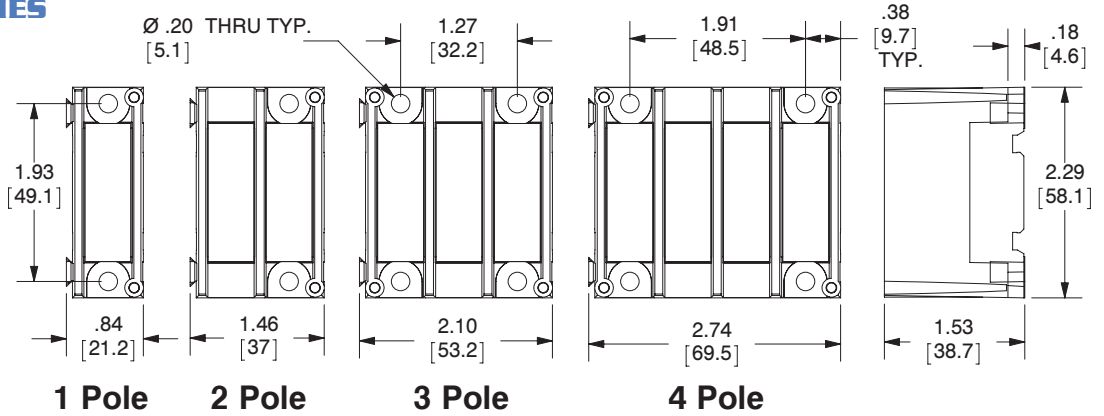
Datasheets available at [marathonsp.com](http://marathonsp.com)

# Power Terminal Block Dimensions

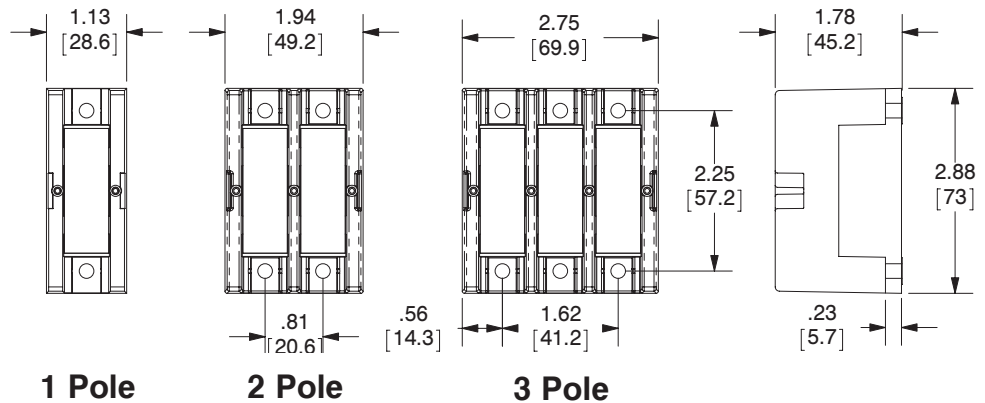
## 140 SERIES



## 141 SERIES



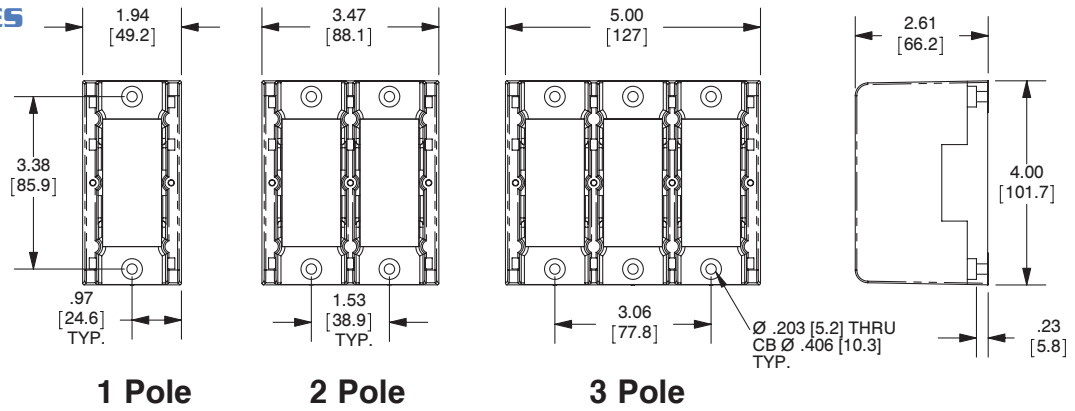
## 142 SERIES



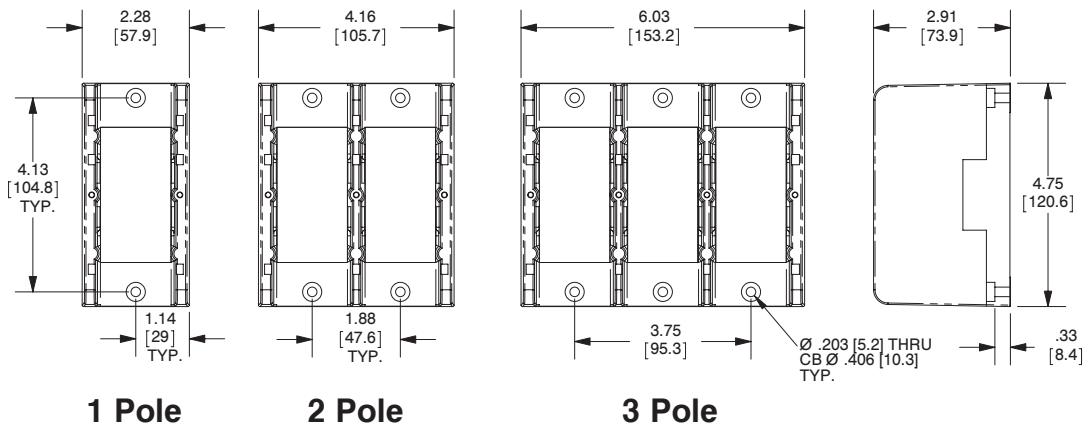
For electronic drawings or 2D/3D CAD data, submit request at [www.marathonsp.com/drawings.html](http://www.marathonsp.com/drawings.html)

# Power Terminal Block Dimensions

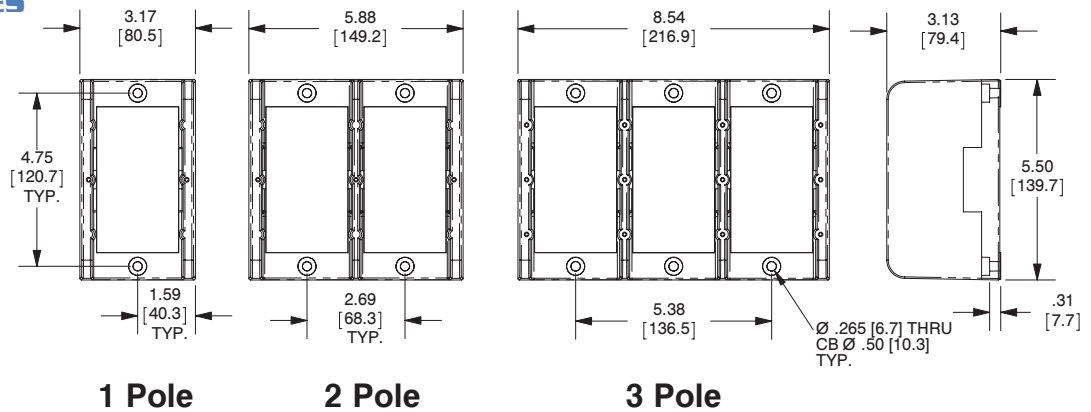
## 143 SERIES



## 144 SERIES



## 145 SERIES



For electronic drawings or 2D/3D CAD data, submit request at [www.marathonsp.com/drawings.html](http://www.marathonsp.com/drawings.html)

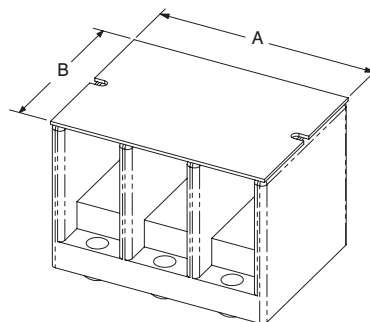


# Power Block Covers

## Specifications:

### 140/141/142/143/144/145 Series (Figures 1 & 2)

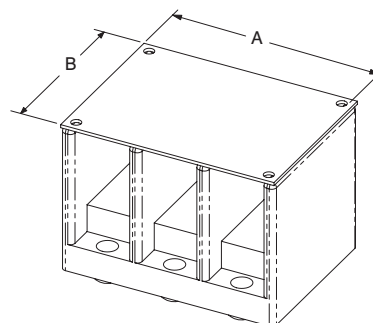
- Material UL Recognized, QMFZ2, 125°C, .06 Clear Protective Plastic
- Thread Cutting Screws Furnished Per Cover
- RoHS Compliant



**FIGURE 1**

### 132/133 Series (Figure 3)

- Snap on, Hinged Cover, Black Thermoplastic
- UL Recognized, QMFZ2, 125°C
- RoHS Compliant



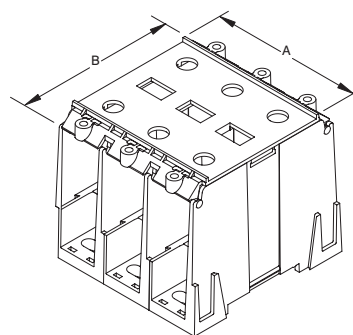
**FIGURE 2**

### 135 Series (Figure 4)

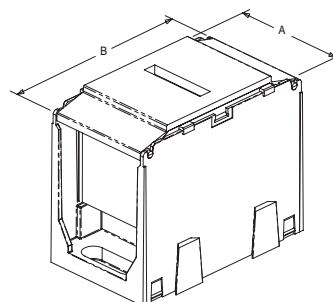
- Snap on, Hinged Cover, Black Thermoplastic
- UL Recognized, QMFZ2, 125°C
- RoHS Compliant

## Dimensions (inches):

Catalog #	A	B	Figure #
CC1402	2.75	2.25	1
CC1403	4.00		
CC1411	0.77	2.40	2
CC1412	1.42		
CC1413	2.05		
CC1414	2.68		
CC1421	1.06		
CC1422	1.87	2.75	1
CC1423	2.68		
CC1431	1.78		
CC1432	3.31	3.38	1
CC1433	4.84		
CC1441	2.12		
CC1442	4.00	4.00	1
CC1443	5.87		
CC1451	2.87		
CC1452	5.56	4.50	1
CC1453	8.28		
CH1321	0.88		
CH1322	1.69		
CH1323	2.50		
CH1331	1.93	3.89	3
CH1332	3.61		
CH1333	5.30		
CH1351 (one pole only)	3.35	5.65	4



**FIGURE 3  
(Hinged Cover)**



**FIGURE 4  
(Hinged Cover)**

# Grounding Lugs

## Specifications:

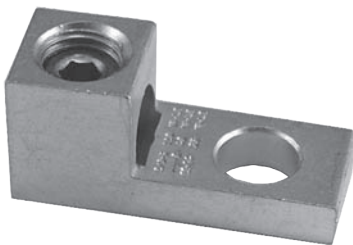
- Connector, High Conductive Aluminum, Tin Plated
- Screw head is green ink
- Flexible Stranded Wire Compliant
- UL Recognized File No. ZMNV2.E43665
- CSA Certified File No. 63510-25
- RoHS Compliant

Catalog # (Part #)	Wire Range AWG/kcmil	Torque lb in
GL02 (9807052)	#2 - #3	50
	#4 - #6	45
	#8	40
	#10 - #14	35

Slotted or hex head screw available



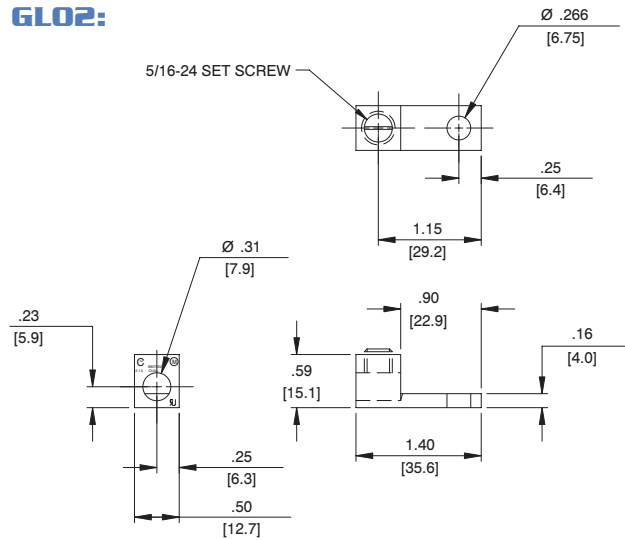
Catalog # (Part #)	Wire Range AWG/kcmil	Torque lb in
GL20 (9718102)	2/0 - #6	120
	#8	40
	#10 - #14	35



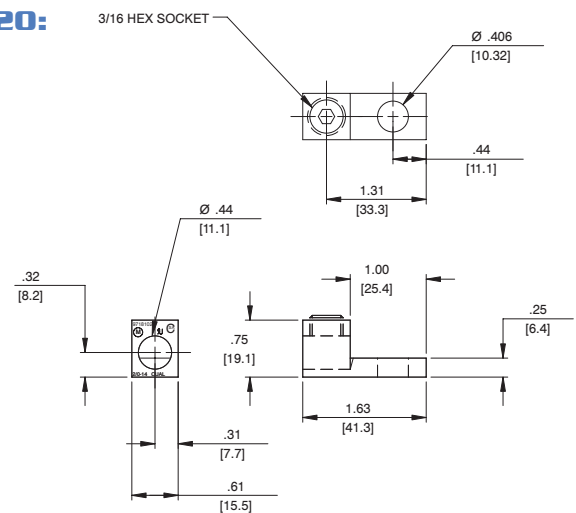
Catalog # (Part #)	Wire Range AWG/kcmil	Torque lb in
GL35 (9819830)	350 kcmil - #6	375



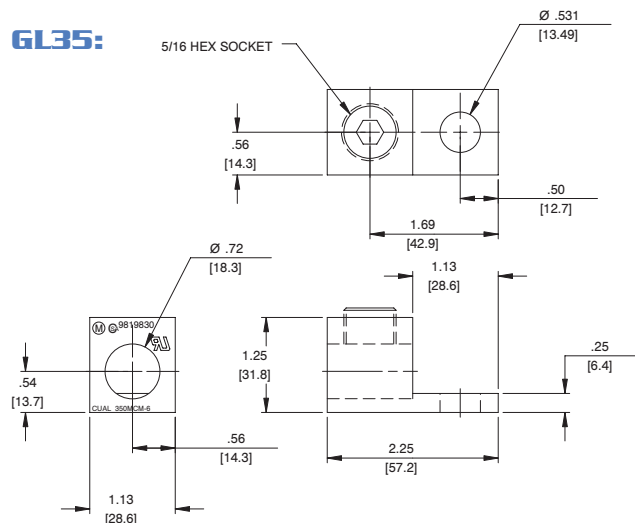
## GL02:



## GL20:



## GL35:



For electronic drawings or 2D/3D CAD data, submit request at [www.marathonsp.com/drawings.html](http://www.marathonsp.com/drawings.html)