

M Fuse Holders - 600 Volt⁺

Specifications:

- Tested and Approved for 100,000 Amp Withstand Rating and Short Circuit Withstand Rating
- Clip, Copper Alloy, Tin Plated
- Quick Connect Standard with Screw (S) or Sems Pressure (SP)
- UL Recognized File No. IZLT2.E35113
- CSA Certified File No. LR21455
- **CE** - Rated for 1000 Volts
- RoHS Compliant



6M30A3SPQ



6M30A3B

Catalog #:

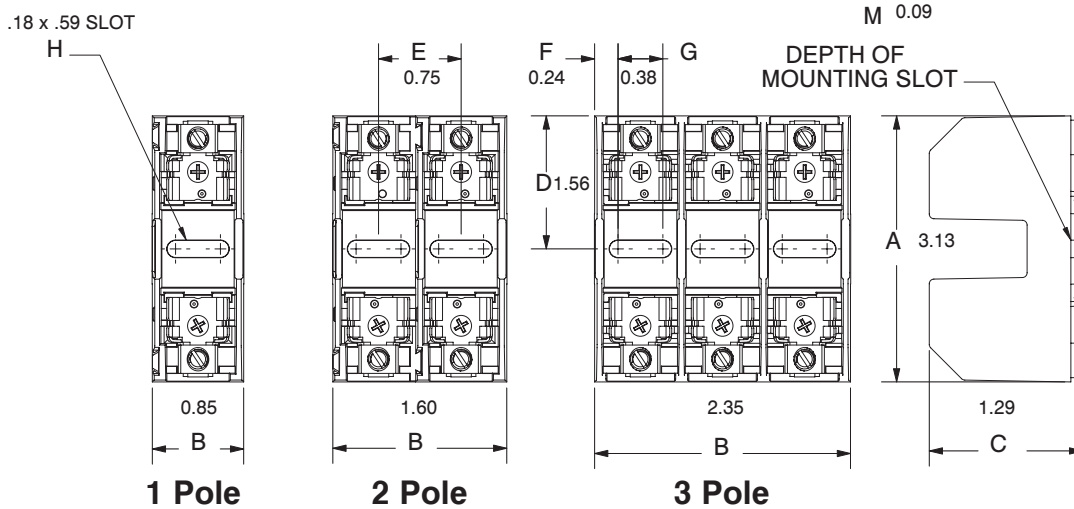
Replace "X" with # of poles

Standard	Reinforced	Poles (X)	Amps	Base Materials	Wire Range	Fuse Size	Fuses
6M30AXSQ	N/A	1/2/3	30	Thermoplastic	#10-#22 AWG CU	13/32" DIA BY 1 1/2"	A13X-2, A25Z-2, A60Q-2, A6Y-2B, AGU, ATM, ATQ, BAF, BAN, BLF, BLN, BLS, FLA, FLM, FLQ, FNM, FNQ, GFN, GGO, KLK, KLKD, KLQ, KTK, OTM, TRM
6M30AXSPQ					#10-#14 AWG CU		
6M30AXB					#6-#14 AWG CU		
6M30AXBCU					#6-#14 AWG CU		

See pages 33-34 for available covers
See page 35 for DIN Rail Adapter

For electronic drawings or 2D/3D CAD data, submit request at www.marathonsp.com/drawings.html

Copper Box Connectors are available on 30 and 60 amp fuse holders.
Add CU after the catalog number.



mm = dim X 25.4