

# Class T Fuse Holders - 300/600 Volt<sup>+</sup>

## Specifications:

- Tested and Approved for 200,000 Amp Withstand Rating and Short Circuit Withstand Rating
- UL Listed File No. IZLT.E35113
- CSA Certified File No. LR21455
- CE
- RoHS Compliant

### 30 & 60 Amp

- Clip, Copper Alloy, Tin Plated
- Cool-Clip<sup>®</sup> Design
- For box connectors, internal hex screw option available

### 200 Amp

- Connector, One Piece Aluminum with Integral Heat Sink, Tin Plated Bolt
- 5/16"-18 X 3/4" Hex Head, 5/16" Belleville Washer

### 100 Amp

- Connector, One Piece Aluminum with Integral Heat Sink, Tin Plated Bolt
- 1/4"-20 X 1/2" Bolt, 1/4" Belleville Washer

### 400 & 600 Amp

- Connector, One Piece Aluminum with Integral Heat Sink, Tin Plated Bolt
- 3/8"-16 X 3/4" Hex Head, 3/8" Belleville Washer

## 300 Volts - Catalog#:

Replace "X" with # of poles

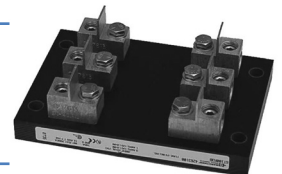
Standard	Reinforced	Poles (X)	Amps	Base Materials	Wire Range	Fuse Size	Fuses
T30AXB	RT30AXB	2/3	30	Phenolic	#2-#14 AWG CU	13/32" DIA BY 7/8"	A3T J2N J2LN
T60AXB	RT60AXB		60		#2-#12 AWG AL	9/16" DIA BY 7/8"	
T100AXB	N/A	1/3	100		2/0-#14 AWG CU	13/16" DIA BY 2 5/32"	
T200AXB			200		2/0-#12 AWG AL	1 1/16" DIA BY 2 7/16"	
T400AXB		1	400		(2) 250 kcmil - #6 AWG CU AL	1 11/32" DIA BY 2 3/4"	
T600AXB	600		(2) 500 kcmil - #6 AWG CU AL		1 39/64" DIA BY 3 1/16"		



T30A3B



RT60A3B



6T100A3B

## 600 Volts - Catalog#:

Replace "X" with # of poles

Standard	Reinforced	Poles (X)	Amps	Base Materials	Wire Range	Fuse Size	Fuses
6T30AXS	R6T30AXS	2/3	30	Phenolic	#10-#22 AWG CU	9/16" DIA BY 1 1/2"	A6T J2S J2LS
6T30AXSP	R6T30AXSP				#10-#14 AWG CU		
6T30AXB	R6T30AXB				#2-#14 AWG CU	13/16" DIA BY 1 9/16"	
R6T60AXB	SAME	#2-#12 AWG AL					
6T100AXB	N/A	1/3	100		2/0-#14 AWG CU	13/16" DIA BY 2 61/64"	
6T200AXB			200		2/0-#12 AWG AL	1 1/16" DIA BY 3 1/4"	
6T400AXB		1	400	(2) 250 kcmil - #6 AWG CU AL	1 39/64" DIA BY 3 5/8"		
6T600AXB	600		(2) 500 kcmil - #6 AWG CU AL	2 5/64" DIA BY 3 63/64"			



6T30A3SP



R6T60A3B

See pages 17-18 for dimensional information

Copper Box Connectors are available on 30 and 60 amp fuse holders. Add CU after the catalog number.

# Class T Fuse Holder Dimensions

		Figure	A	B	C	D	E	F	G	H	I	J
T30A RT30A	2 POLE 3 POLE	FIG 1	1.12	SEE FIGURE #1								
T60A RT60A	2 POLE 3 POLE	FIG 1	1.28	SEE FIGURE #1								
T100A	1 POLE 3 POLE	FIG 2	5.25	1.37 4.12	1.87	4.50	0.38	0.69	N/A 2.75	0.20 THRU 0.37 DIA X .44 C'BORE	3/16 HEX	.19
T200A	1 POLE 3 POLE	FIG 2	7.00	1.50 4.50	2.25	6.25	0.38	0.75	N/A 3.00	0.28 THRU 0.50 DIA X .44 C'BORE	5/16 HEX	.19
6T100A	1 POLE 3 POLE	FIG 2	6.06	1.37 4.12	1.87	5.31	0.38	0.69	N/A 2.75	0.20 THRU 0.37 DIA X .44 C'BORE	3/16 HEX	.19
6T200A	1 POLE 3 POLE	FIG 2	7.75	1.50 4.50	2.25	7.00	0.38	0.75	N/A 3.00	0.28 THRU 0.50 DIA X .44 C'BORE	5/16 HEX	.19

mm = dim X 25.4

For electronic drawings or 2D/3D CAD data, submit request at [www.marathonsp.com/drawings.html](http://www.marathonsp.com/drawings.html)

FIGURE 1:

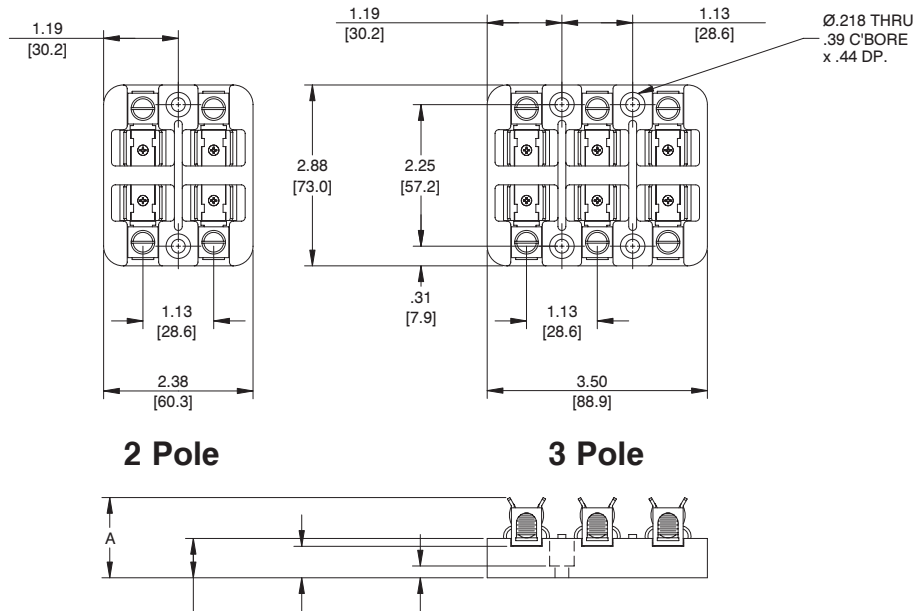
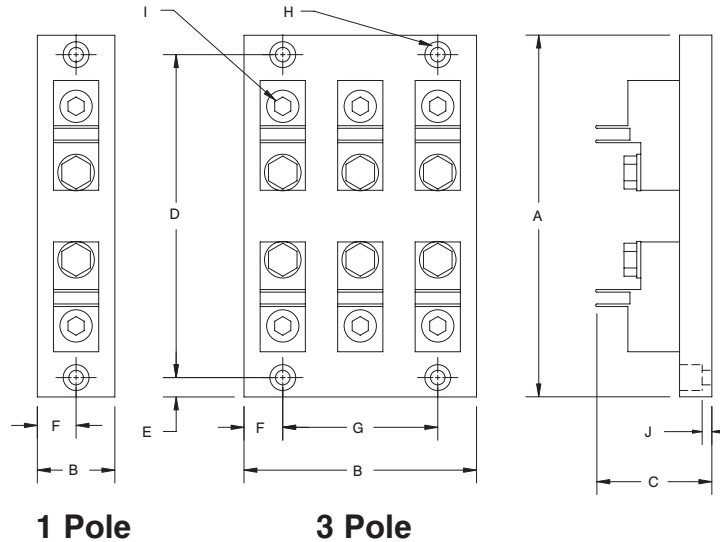


FIGURE 2:



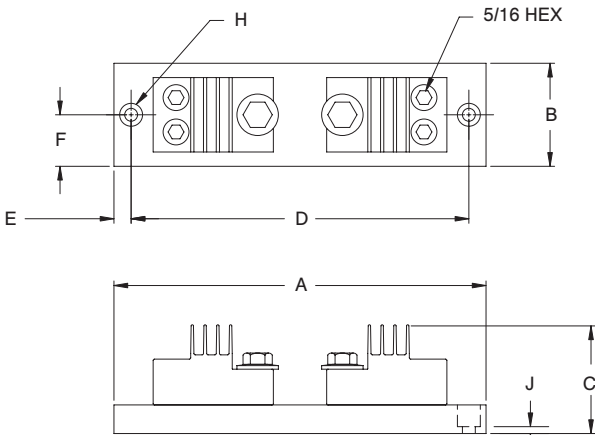
# Class T Fuse Holder Dimensions

		Figure	A	B	C	D	E	F	G	H	I	J
T400A	1 POLE	FIG 3	8.12	2.25	2.37	7.37	0.38	1.12	N/A	0.28 THRU 0.50 DIA X .44 C'BORE	N/A	.19
6T400A	1 POLE	FIG 3	9.00	2.25	2.37	8.25	0.38	1.12	N/A	0.28 THRU 0.50 DIA X .44 C'BORE	N/A	.19
T600A	1 POLE	FIG 4	8.75	2.75	2.62	8.06	0.34	0.38	2.00	0.28 THRU 0.50 DIA X .44 C'BORE	N/A	.19
6T600A	1 POLE	FIG 4	9.75	2.75	2.62	9.00	0.38	0.38	2.00	0.28 THRU 0.50 DIA X .44 C'BORE	N/A	.19
6T30A R6T30A	2 POLE 3 POLE	FIG 5	1.28	<b>SEE FIGURE #5</b>								
R6T60A	2 POLE 3 POLE	FIG 5	1.74	<b>SEE FIGURE #5</b>								

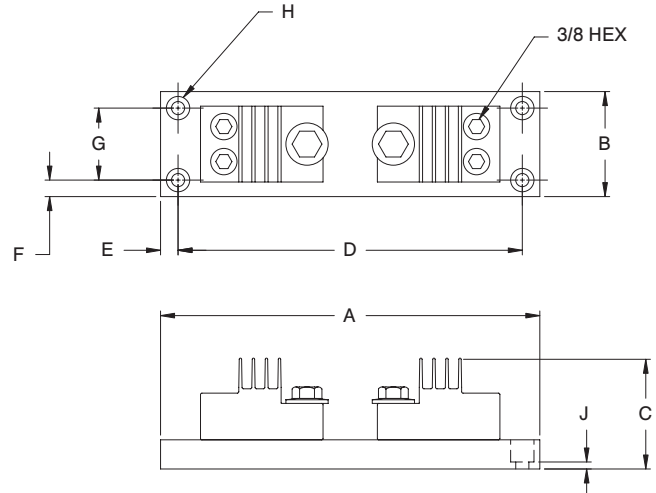
mm = dim X 25.4

For electronic drawings or 2D/3D CAD data, submit request at [www.marathonsp.com/drawings.html](http://www.marathonsp.com/drawings.html)

**FIGURE 3:**



**FIGURE 4:**



**FIGURE 5:**

