

# Class R Fuse Holders - 250/600 Volt

## Specifications:

- Tested and Approved for 200,000 Amp Withstand Rating and Short Circuit Withstand Rating
- UL Listed File No. IZLT.E35113
- CSA Certified File No. LR21455
- CE
- RoHS Compliant

### 30 & 60 Amp

- Clip, Copper Alloy, Tin Plated, with Patented Reject Member
- Cool-Clip® Design
- For box connectors, internal hex screw option available

### 200 Amp

- Clip, One Piece Aluminum, Tin Plated, with Reject Pin

### 100 Amp

- Clip, Copper Alloy, Tin Plated with Reject Pin

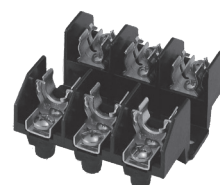
### 400 & 600 Amp

- Clip, Copper Alloy, Tin Plated, with Reject Pin

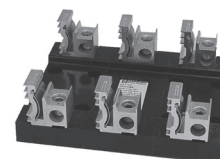
## 250 Volts - Catalog #:

Replace "X" with # of poles

Standard	Reinforced	Poles (X)	Amps	Base Materials	Wire Range	Fuse Size	Fuses		
R30AXS	SAME	1/2/3	30	Thermoplastic	#10-#22 AWG CU	9/16" DIA BY 2"	A2D-R		
R30AXSP					#10-#14 AWG CU		A2K-R		
R30AXB					#6-#14 AWG CU		DLN-R		
R60AXSQ*			#10-#22 AWG CU		60	Phenolic	13/16" DIA BY 3"	FLNR	
R60AXB								#2-#14 AWG CU #2-#12 AWG AL	FRN-R
R100AXB								2/0-#14 AWG CU 2/0-#12 AWG AL	KLNR
R200AXBE	N/A	1/3	200	Polyester	250 kcmil - #6 AWG CU AL	1 1/2" DIA BY 7 1/8"	KLNR KTS-R LLNRK		
R400AXB			400	Phenolic	(2) 350 kcmil - 1/0 AWG CU AL	2 13/32" DIA BY 8 5/8"	LPN-RK		
R600AXB			600	Phenolic	(2) 500 kcmil - 1/0 AWG CU AL	2 29/32" DIA BY 10 3/8"	TLN TR-R		



R30A3S



R200A3BE

\*CSA Certified Only

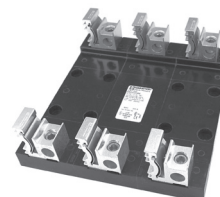
## 600 Volts - Catalog #:

Replace "X" with # of poles

Standard	Reinforced	Poles (X)	Amps	Base Materials	Wire Range	Fuse Size	Fuses		
6R30AXS	SAME	1/2/3	30	Phenolic	#10-#22 AWG CU	13/16" DIA BY 5"	A6D-R		
6R30AXSP					#10-#14 AWG CU		A6K-R		
6R30AXB					#6-#14 AWG CU		DLS-R		
6R60AXB			#10-#22 AWG CU #2-#12 AWG AL		60	Phenolic	1 1/16" DIA BY 5 1/2"	FLSR	
6R100AXB								2/0-#14 AWG CU 2/0-#12 AWG AL	FLSR_ID
6R200AXBE								250 kcmil - #6 AWG CU AL	FRS-R
6R400AXB	N/A	1/3	400	Phenolic	(2) 350 kcmil - 1/0 AWG CU AL	1 11/32" DIA BY 7 7/8"	FRS-R IDSR KLSR		
6R600AXB			600	Phenolic	(2) 500 kcmil - 1/0 AWG CU AL	3 7/16" DIA BY 13 3/8"	KTS-R LLSRK LLSRK_ID		
								LPS-RK TRS-R	



6R30A3B



6R200A3BE

Contact Customer Service for Stud Options  
See pages 13-15 for dimensional information

See pages 33-34 for available covers  
See page 35 for DIN Rail Adapter

Copper Box Connectors are available on 30 and 60 amp fuse holders.  
Add CU after the catalog number.

# Class H/K/R Fuse Holder Dimensions

	Figure	A	B	C	D	E	F	G	H	I	J	K	L	
F30A RF30A R30A	1 POLE 2 POLE 3 POLE	SEE FIGURE #1												
F60A RF60A R60A	1 POLE 2 POLE 3 POLE	FIG 2	4.83	1.48 2.86 4.23	2.01	1.24	1.8	.50	.49	1.33	N/A	N/A	.218 DIA THRU .40 DIA X .63 C'BORE	.11
RF100A R100A	1 POLE 2 POLE 3 POLE	FIG 2	6.12	1.93 3.49 5.05	2.44	2.37	1.87	.62	.61	1.56	N/A	N/A	.28 DIA THRU .53 DIA X .59 C'BORE	.36

mm = dim X 25.4

For electronic drawings or 2D/3D CAD data, submit request at [www.marathonsp.com/drawings.html](http://www.marathonsp.com/drawings.html)

FIGURE 1:

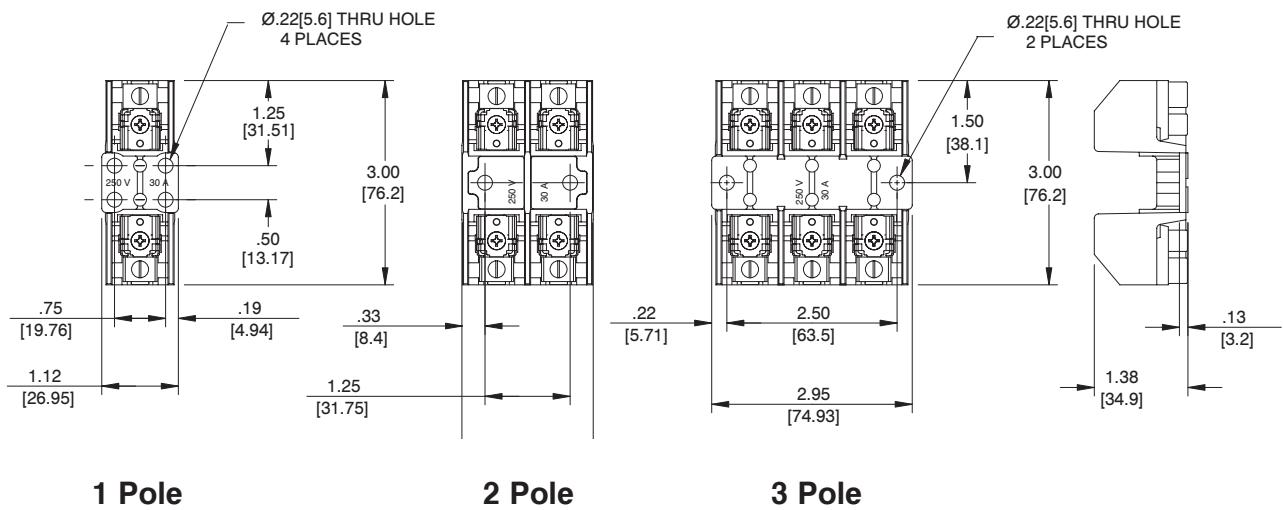
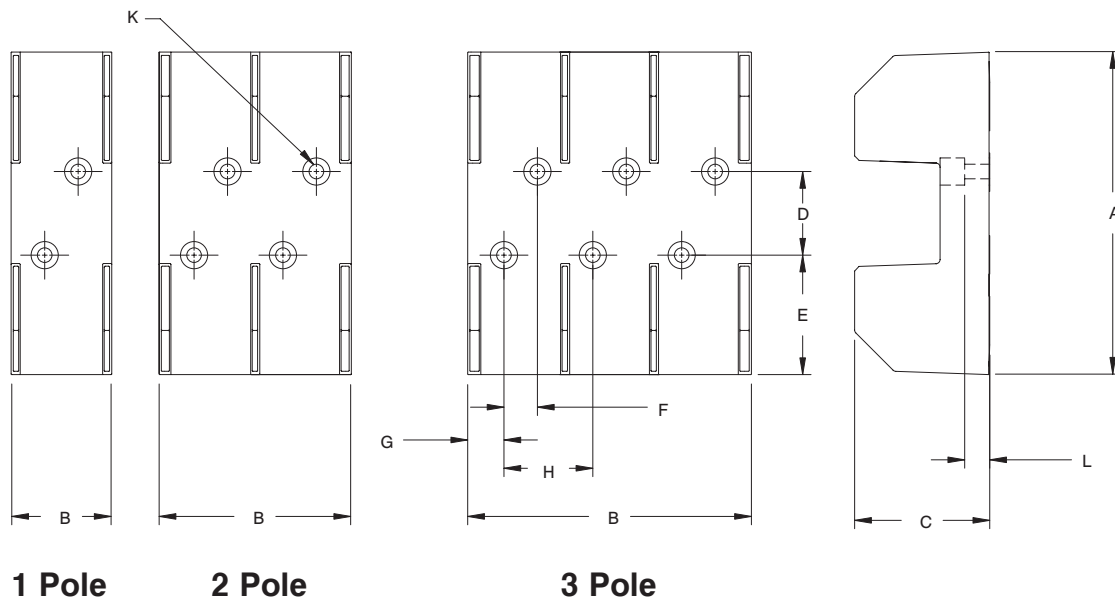


FIGURE 2:



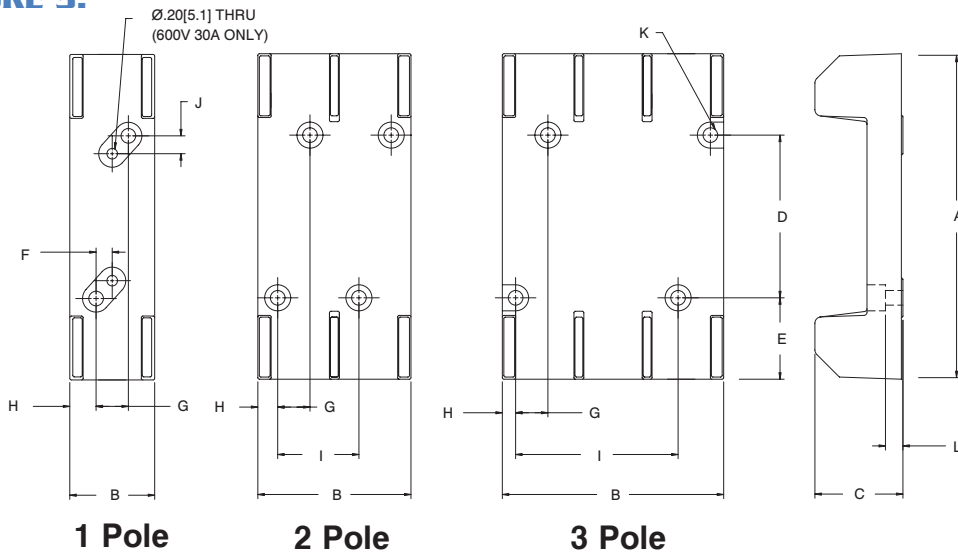
# Class H/K/R Fuse Holder Dimensions

		Figure	A	B	C	D	E	F	G	H	I	J	K	L
6F30A	1 POLE			1.63				.31		.51	N/A	.34		
R6F30A	2 POLE	FIG 3	6.25	2.94	1.69	3.13	1.56	N/A	.62	.38	1.56	N/A	.28 DIA THRU	
6R30A	3 POLE			4.25				N/A		.25	3.13	N/A	.50 DIA X .44 C'BORE	.25
6F60A	1 POLE			1.95							N/A			
R6F60A	2 POLE	FIG 3	6.75	3.51	2.12	3.12	1.81	N/A	.62	.66	1.56	N/A	.28 DIA THRU	
6R60A	3 POLE			5.08							3.12	N/A	.50 DIA X .50 C'BORE	.33
R6F100A	1 POLE			2.10							N/A			
6R100A	2 POLE	FIG 3	8.12	3.91	2.60	4.26	1.94	N/A	.87	.61	1.81	N/A	.28 DIA THRU	
	3 POLE			5.73							3.62	N/A	.59 DIA X .64 C'BORE	.23
F200A	1 POLE	FIG 4	7.13	3.00	3.01	3.00	2.06	2.00	.50	8.00	N/A	N/A	.28 DIA THRU	
R200A	3 POLE			9.00									.63 DIA X .38 C'BORE	.26
6F200A	1 POLE	FIG 4	9.63	3.00	3.01	3.00	3.31	2.00	.5	8.00	N/A	N/A	.33 DIA THRU	
6R200A	3 POLE			9.00									.73 DIA X .44 C'BORE	.26

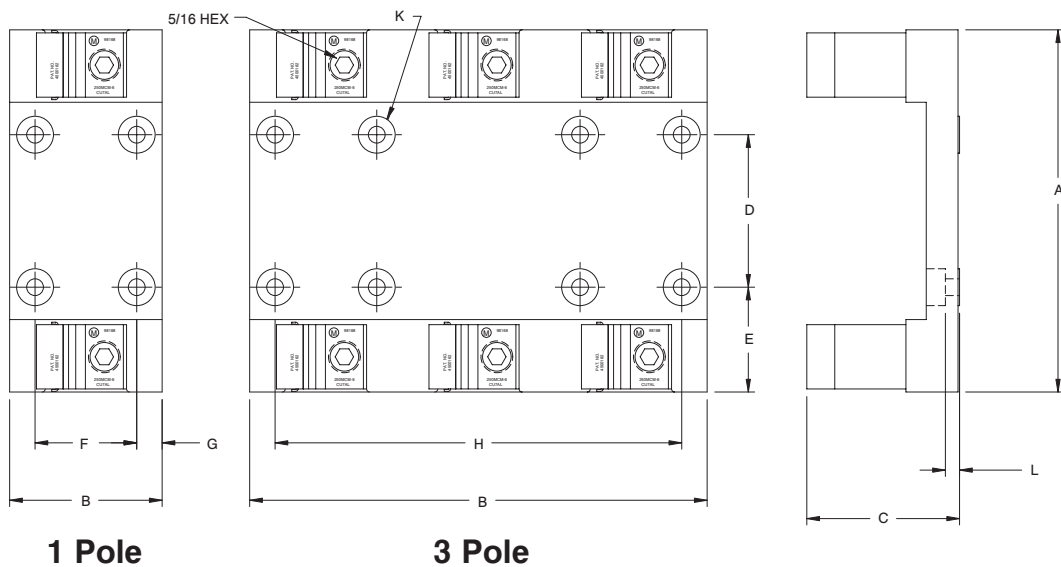
mm = dim X 25.4

For electronic drawings or 2D/3D CAD data, submit request at [www.marathonsp.com/drawings.html](http://www.marathonsp.com/drawings.html)

**FIGURE 3:**



**FIGURE 4:**



# Class H/K/R Fuse Holder Dimensions

		Figure	A	B	C	D	E	F	G	H	I	J	K	L
RF400A R400A	1 POLE 3 POLE	FIG 5	11.5	3.5 10.5	3.31	4.00	3.75	2.25 9.25	.62	N/A	N/A	5/16 HEX	.28 DIA THRU .56 DIA X .44 C'BORE	.19
F600A R600A	1 POLE 3 POLE	FIG 5	14.00	4.5 12.5	4.31	5.00	4.50	3.00 11.00	.75	N/A	N/A	3/8 HEX	.28 DIA THRU .56 DIA X .44 C'BORE	.19
R6F400A 6R400A	1 POLE 3 POLE	FIG 5	14.50	3.50 10.50	3.31	7.00	3.75	2.25 9.25	.62	N/A	N/A	5/16 HEX	.28 DIA THRU .56 DIA X .44 C'BORE	.19
6F600A 6R600A	1 POLE 3 POLE	FIG 5	17.0	4.50 12.50	4.31	8.00	4.50	3.00 11.00	.75	N/A	N/A	3/8 HEX	.28 DIA THRU .56 DIA X .44 C'BORE	.19

mm = dim X 25.4

For electronic drawings or 2D/3D CAD data, submit request at [www.marathonsp.com/drawings.html](http://www.marathonsp.com/drawings.html)

**FIGURE 5:**

