

## Product Data Sheet

### 621 RZ XX 3765

Replace "XX" with 01 through 30 for number of poles



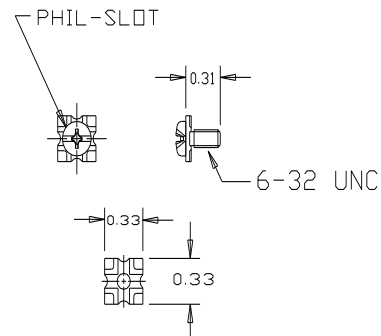
(6 Pole shown)

Terminal Block— Closed Back  
With Sems Pressure Saddle Screw  
20 Amps, 600 Volts (AC/DC)

#### Copper Stranded Wire only.

Wire Range with Wire Binding Screw: #12 - #22 AWG

7/16" Centers



#### Electrical Ratings:

- 20A with Listed ring lug or unprepared wire, (Based on NEC Table 310-16, 75°C columns)
- 600 Volts AC/DC (UL 1059 Class B, User Group – Commercial Appliances)
- Short Circuit Current Rating: 10,000A (Default)
- Approved for Factory and Field Wiring.

NOTE: Use outside these ratings must be judged in end-use application

#### Mechanical Ratings:

- Insulator base temperature rating: -40° C/F to 125°C (257°F) UL RTI
- Flammability rating of insulator base: UL 94V-0

#### Materials:

- Connector (Contact): Brass, tin plated.
- Insulator base: Glass filled Polycarbonate (Thermoplastic)
- Drive screw (Rivet): Stainless steel
- Screw, #6-32 Saddle Plate, Phil-Slot: Steel, nickel plated

#### Agency Approvals:

- UL Recognized, UL 1059 Terminal Block Standard, File No. XCFR2.E62806
- CSA Certified, CSA C22.2 No. 158, File No. LR19766
- CE compliant, IEC 60947-7-1
- RoHS Compliant

## Wire Range:

Wire Size	Torque	Copper Wire Stranding Classes - Number of Conductors		
		Solid	Class B	Class C
12	12 in. Lbs		1	1
14	12 in. Lbs		1	1
16	12 in. Lbs		1	1
18	12 in. Lbs		1	1
20	12 in. Lbs		1	1
22	12 in. Lbs		1	1

## Mounting:

Suggested product mounting hardware: #6 fastener, torque to 10-15 in. lbs.

### Accessories:

- Printing: for printing options, see Terminal Block Printing

<http://marathonsp.com/CatalogPDFs/TBPrinting.pdf>

- Marking strips (Sub mounted or Top mounted)

<http://marathonsp.com/CatalogPDFs/TopMountedMS.pdf>

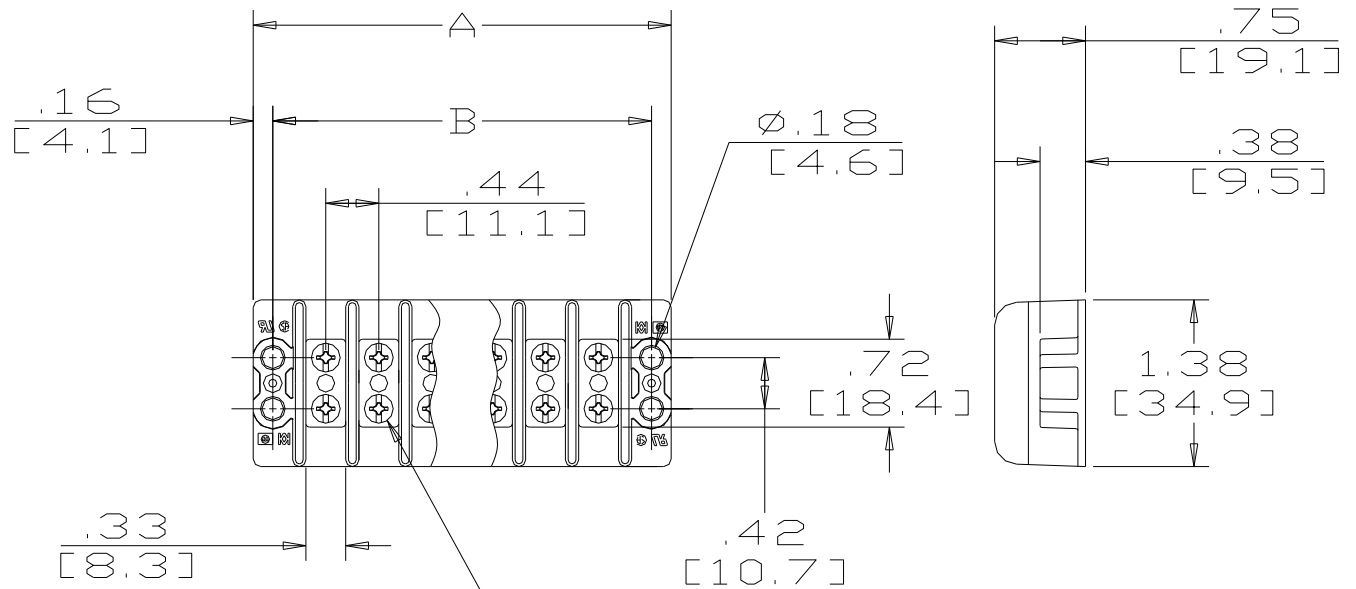
<http://marathonsp.com/CatalogPDFs/SubMounted.pdf>



- Cover – top mounted (May not accommodate some hardware options) .  
Order CW (white) or CB (Black). Can be printed.



<http://marathonsp.com/CatalogPDFs/TopMountedCover.pdf>



#6-32 X .25 [6.4]  
BD HD SCREW

Catalog No	# of Poles	Dimensions			Catalog No	# of Poles	Dimensions	
		A	B				A	B
621 RZ 01	1	1.19	0.88	X	621 RZ 16	16	7.75	7.44
621 RZ 02	2	1.62	1.31	X	621 RZ 17	17	8.19	7.88
621 RZ 03	3	2.06	1.75	X	621 RZ 18	18	8.62	8.31
621 RZ 04	4	2.50	2.19	X	621 RZ 19	19	9.06	8.75
621 RZ 05	5	2.94	2.63	X	621 RZ 20	20	9.50	9.19
621 RZ 06	6	3.37	3.06	X	621 RZ 21	21	9.93	9.62
621 RZ 07	7	3.81	3.50	X	621 RZ 22	22	10.37	10.06
621 RZ 08	8	4.25	3.94	X	621 RZ 23	23	10.81	10.50
621 RZ 09	9	4.68	4.37	X	621 RZ 24	24	11.24	10.93
621 RZ 10	10	5.12	4.81	X	621 RZ 25	25	11.68	11.37
621 RZ 11	11	5.56	5.25	X	621 RZ 26	26	12.12	11.81
621 RZ 12	12	5.99	5.68	X	621 RZ 27	27	12.55	12.24
621 RZ 13	13	6.43	6.12	X	621 RZ 28	28	12.99	12.68
621 RZ 14	14	6.87	6.56	X	621 RZ 29	29	13.43	13.12
621 RZ 15	15	7.31	7.00	X	621 RZ 30	30	13.86	13.55

MM = Dim X 25.4

[WWW.MARATHONSP.COM](http://WWW.MARATHONSP.COM)  
(419) 352-8441