

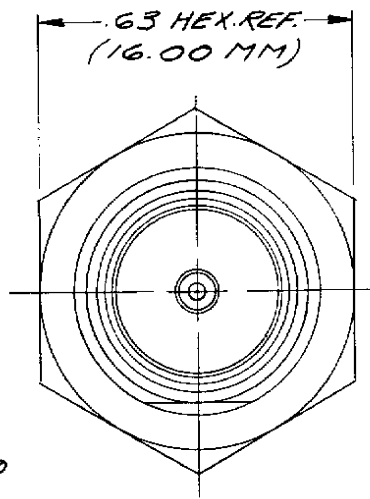
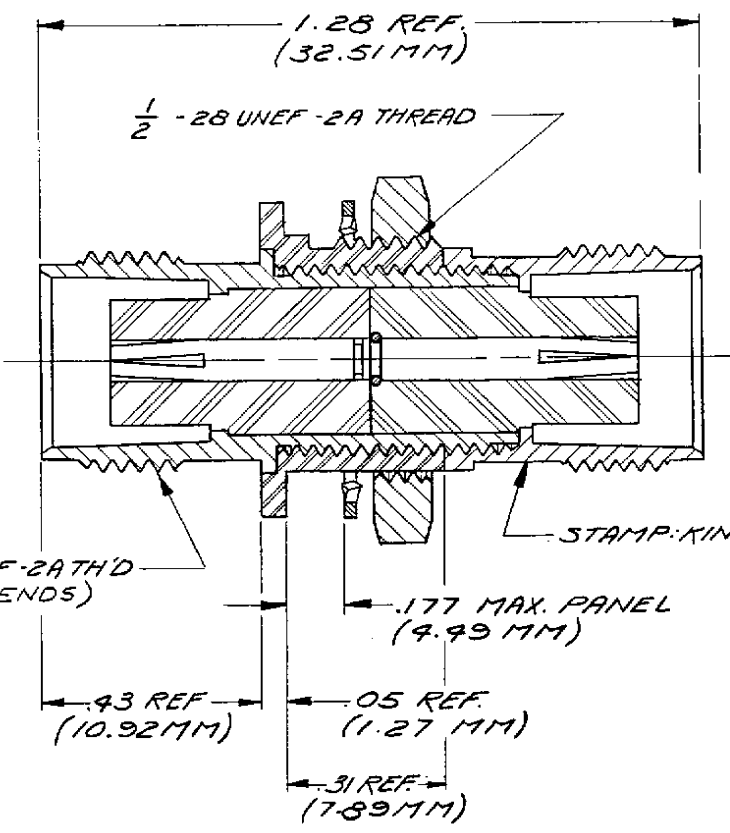
DASH NO. M CODE MADE FROM

KA-99-79

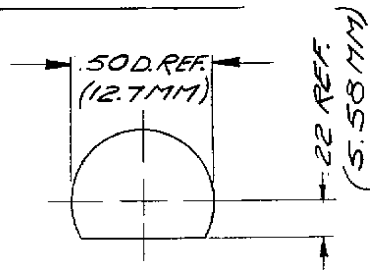
GSD

REVISIONS

ISSUE	CHANGES
5	CN 33415 E JCA 10/8/91



MOUNTING HOLE



NOTES:

1. MATERIALS:

- CENTER CONTACT - BERYLLIUM COPPER QQ-C-530
- C-RING - COPPER WIRE, HARD DRAWN QQ-W-360
- LOCKWASHER - PHOSPHOR BRONZE QQ-P-330
- ALL OTHER METAL PARTS - BRASS QQ-B-626
- INSULATORS - TEFLON, L.P-403
- INSULATING BODY - DELRIN 150

2. FINISHES:

- CENTER CONTACT } SILVER PLATE .0002
- C-RING } MIN. PER QQ-5-365
- ALL OTHER METAL PARTS SILVER PLATE
- .0001 MIN. PER QQ-5-365

3. ELECTRICAL CHARACTERISTICS:

- NOMINAL IMPEDANCE - 50 Ω
- FREQUENCY RANGE - DC TO 11 GHz
- VOLTAGE RATING - 500 VOLTS RMS

UNLESS OTHERWISE SPECIFIED:

- |  |  |
|--|--|
| 1. TOLERANCES: FRACTIONS & 2 PLACE DECIMALS ± .010   | 2. REMOVE ALL BURRS, BREAK SHARP EDGES .005 MAX. |
| 3 PLACE DECIMALS ± .004  | 3. NO FILLETS PERMITTED.                         |
| ANGLES ± 0°30'   | 4. SURFACE ROUGHNESS 63 MICROINCHES RMS MAX.     |
| T. I. R. CONCENTRICITY OF ANY 2 DIAMETERS MAY NOT EXCEED HALF THE SUM OF THEIR TOLERANCES. | 5. ALL DIMENSIONS PRIOR TO PLATING.              |
|  | 6. ALL PLATING IN ACCORDANCE WITH KER 10004.     |

GSD

SCALE:	
USED ON:	
REF:	
TNC-TNC BULKHD. ADPT. (ISOLATED GROUND)	
DRAWN PFS	DATE 27 OCT 80
APPR. MJB	DATE 29 OCT 80



KA-99-79

GSD