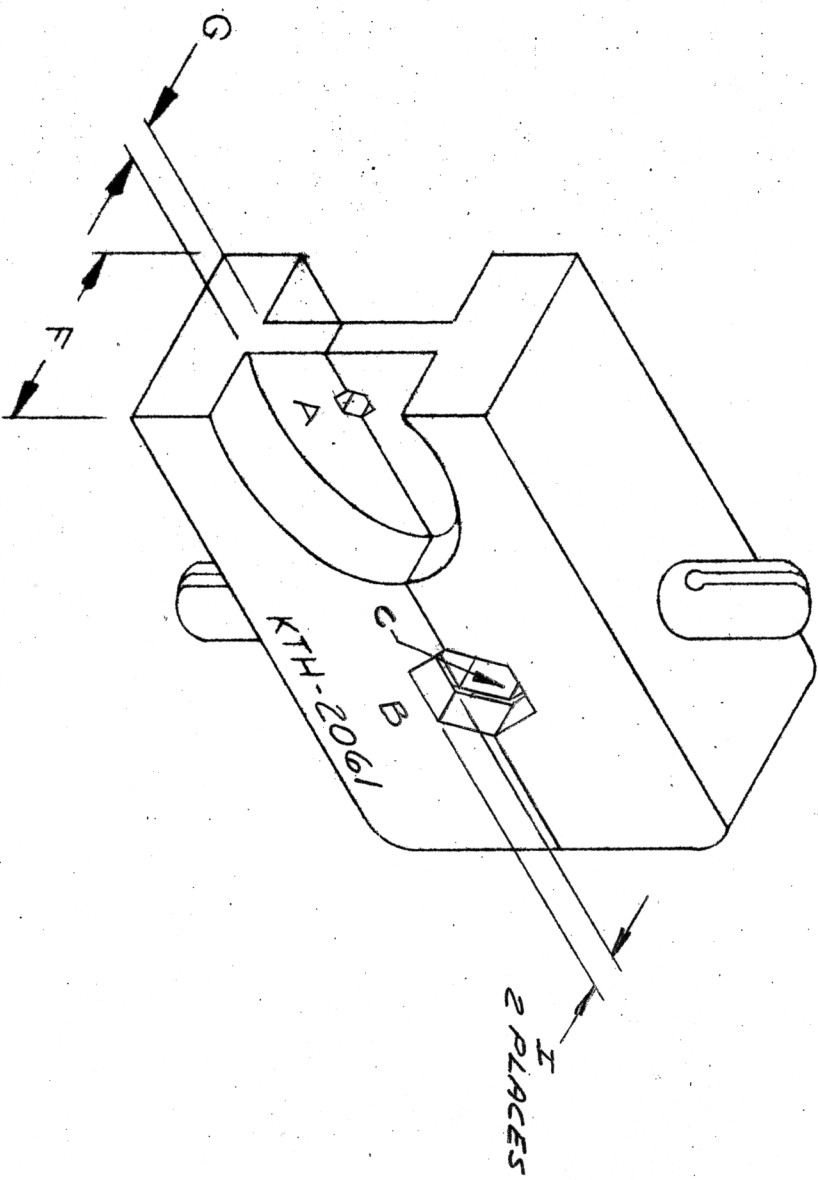


REVISIONS	
ISSUE	CHANGES
2	CN 27545 C SD 7/10/85



NOTES:
 1. FOR USE WITH RG-55, 58, 141, 142, 223 & 11T BA 13077A CABLE GROUPS.

HEX SIZES (ACROSS FLATS)				DIE WIDTH		WEB WIDTH		
A	B	C	D	F	G	H	I	
.069	.253	.213		.500	.080		.083	

UNLESS OTHERWISE SPECIFIED:

1. TOLERANCES: FRACTIONS & 2 PLACE DECIMALS: ± .010
2. REMOVE ALL BURRS, BREAK SHARP EDGES .005 MAX.
3. PLACE DECIMALS ± .004
3. NO FILLETS PERMITTED.
4. SURFACE ROUGHNESS 63 MICROINCHES RMS MAX.
5. ALL DIMENSIONS PRIOR TO PLATING.
- T. I. R. CONCENTRICITY OF ANY 2 DIAMETERS MAY NOT EXCEED HALF THE SUM OF THEIR TOLERANCES.

REF:

FINISH

SPEC.

MATL.

SPEC.

CRIMP DIE

DRAWN BG. DATE 13OCT 72

APPR. DATE

KINGS ELECTRONICS
 40 MARLEDALE ROAD
 TUCKAHOE, N. Y. 10707

KTH-2061

SD