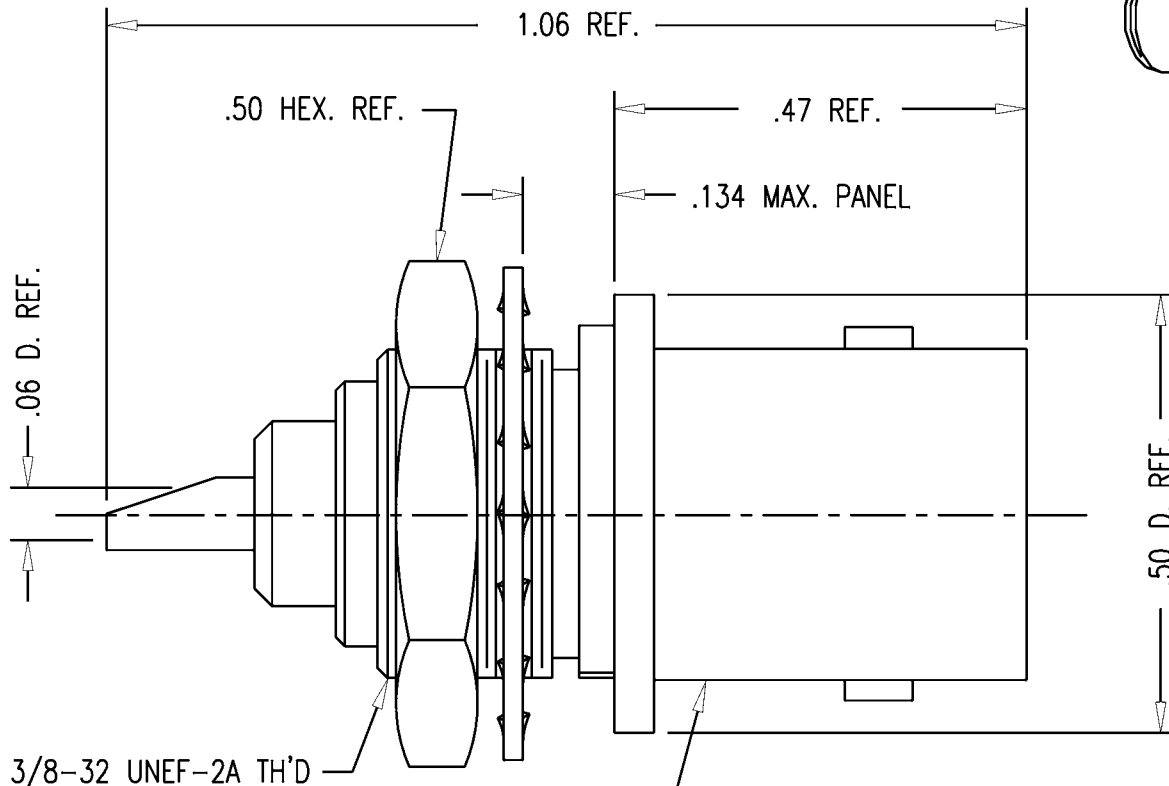
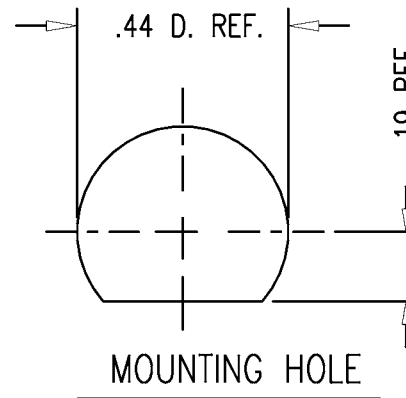


# GSD



STAMP: 91836 M39012/21-0001  
 KC-79-105 XXXX (DATE CODE)



**NOTES:**

- INTERFACE PER MIL-STD-348, FIG. 301-2.
- MATERIALS:
  - INSULATOR: TEFLON, ASTM-D-4894
  - CENTER CONTACT: BER. COPPER, ASTM-B-196
  - LOCKWASHER: PHOSPHOR BRONZE, ASTM-B-103
  - ALL OTHER PARTS: BRASS, ASTM-B16
- FINISHES:
  - CONTACT: GOLD PLATE PER MIL-G-45204
  - ALL OTHER METAL PARTS: SILVER PLATE PER QQ-S-365
- ELECTRIAL CHARACTERISTICS:
  - NOMINAL IMPEDANCE: 50 Ω
  - FREQUENCY RANGE: DC TO 4 GHz
  - WORKING VOLTAGE: 500 VOLTS RMS

# GSD

M39012/21-0001

REVISIONS	
ISSUE	CHANGES
8	CN 36155 E REDRAWN ME 03/08/95
KC-79-105      QGS0241	

SCALE 4:1	
APPROX SURFACE AREA	
USED ON	
REF:	
BNC BULKHEAD RECEPTACLE	
DRAWN ME	DATE 03/08/95
DESIGN MJB	DATE 03/09/95
APPR.	DATE

**KINGS**  
 ELECTRONICS CO., INC.

M39012/21-0001