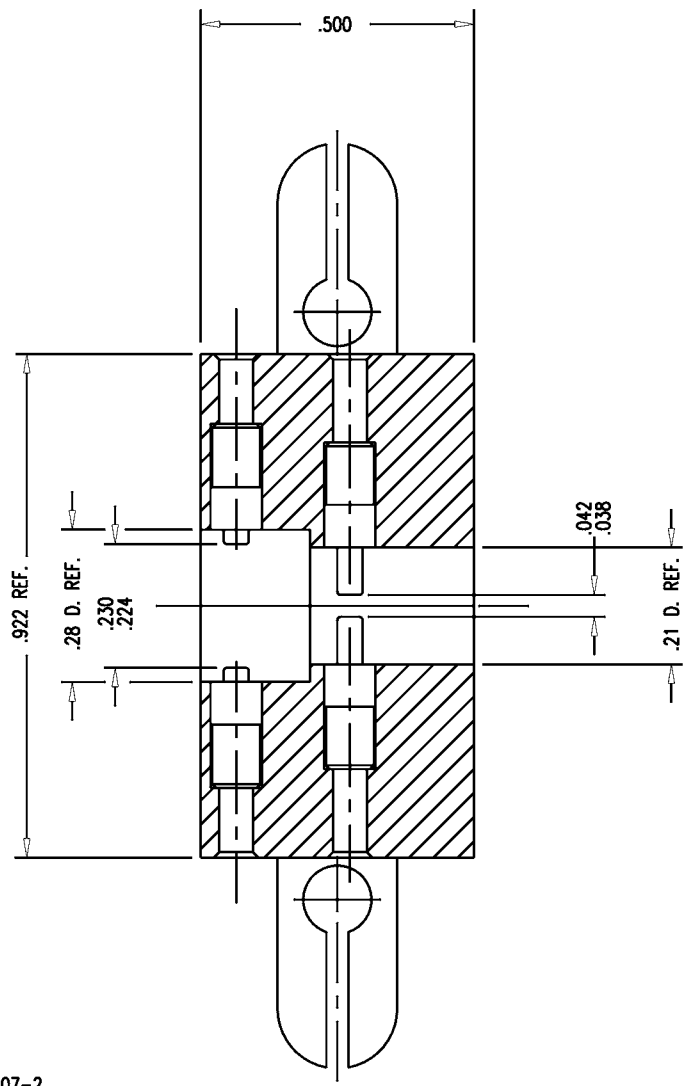


STAMP: KINGS KTH-2175
(BOTH HALVES)

- NOTES:
1. INSPECT USING GAUGES KTG-107-1 & KTG-107-2.
 2. MATERIAL:
BODY: ALLOY STEEL
 3. FINISH:
BODY: BLACK OXIDE
 4. TOLERANCES:
XXX ±.004
XX ±.010



SECTION A-A

SD

KTH-2175

| REVISIONS | |
|-----------|---------------------------------------|
| ISSUE | CHANGES |
| 1 | CN 33580 C REDRAWN WJM 12/09/91 |
| 2 | CN 36736 A KH 07/15/96 |
| 3 | CN 37172 B VLS 10/31/96 |

| | |
|---------------------|---------------|
| SCALE 4:1 | |
| APPROX SURFACE AREA | |
| USED ON 1945-10-102 | |
| REF: | |
| DIE, CRIMP, MONO | |
| DRAWN WJM | DATE 12/09/91 |
| DESIGN CT | DATE 01/16/92 |
| APPR. JT | DATE 01/20/92 |

KINGS
ELECTRONICS CO., INC.
TUCKAHOE, NEW YORK 10707

KTH-2175

SD