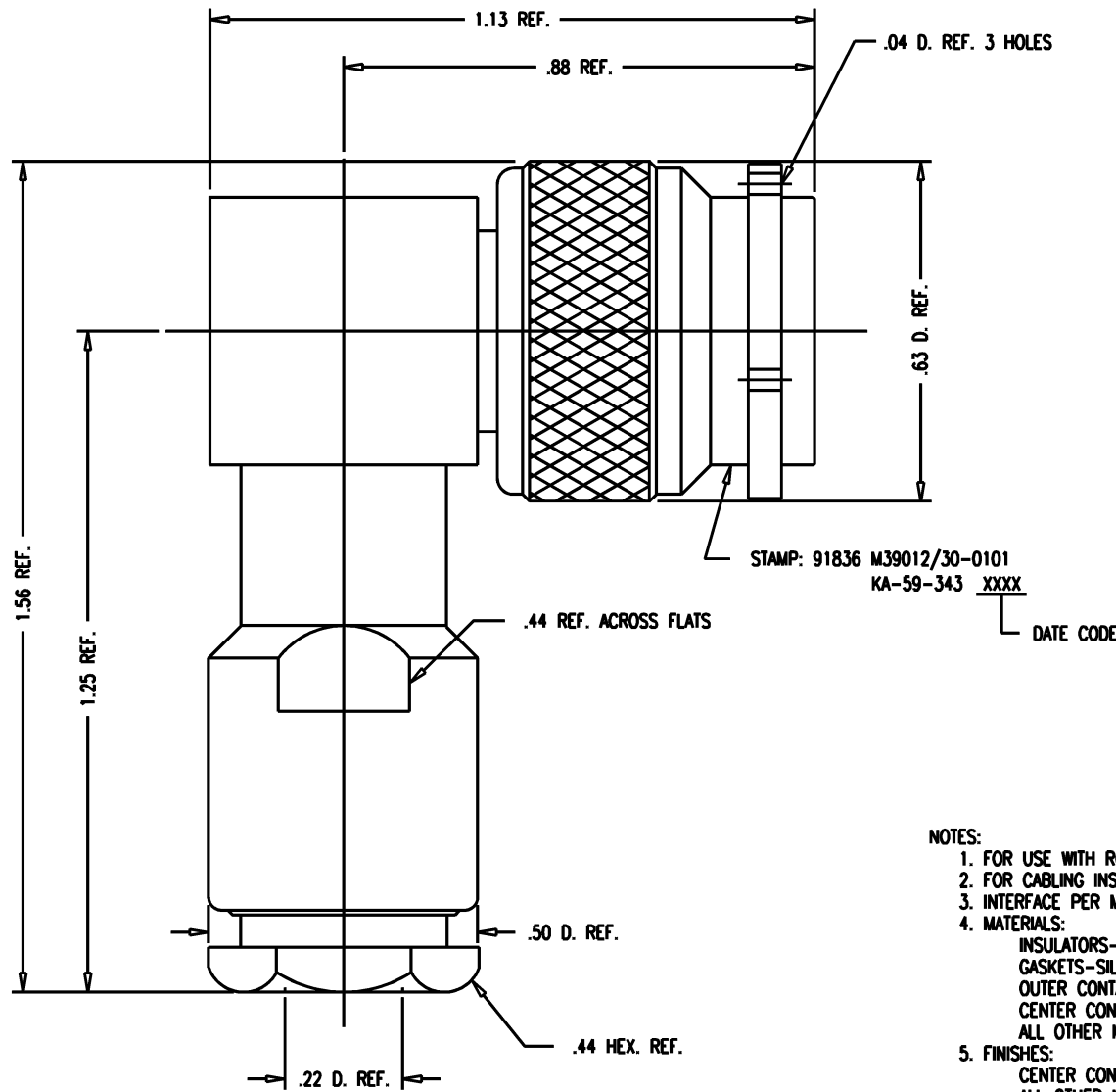


GSD

M39012/30-0101

REVISIONS	
ISSUE	CHANGES
4	ER 34778 E REDRAWN KH 07/14/93
5	CN 38245 C BDH 03/29/01
6	CN 39923 C DCT 5/9/7



- NOTES:
- FOR USE WITH RG-58, 142, 223 AND 400/U CABLES.
 - FOR CABLING INSTRUCTIONS SEE CP-1050.
 - INTERFACE PER MIL-STD-348, FIG. 313-1.
 - MATERIALS:
INSULATORS-TEFLON, ASTM-D4894
GASKETS-SILICONE RUBBER, A-A-59588
OUTER CONTACT } BER. COP., ASTM-B-196
CENTER CONTACT F }
ALL OTHER METAL PARTS-BRASS, ASTM-B16
 - FINISHES:
CENTER CONTACTS-GOLD PLATE PER ASTM-B488
ALL OTHER METAL PARTS-SILVER PLATE PER ASTM-B700
 - ELECTRIAL CHARACTERISTICS:
NOMINAL IMPEDANCE-50 OHMS
FREQUENCY RANGE-DC TO 11 GHZ
WORKING VOLTAGE-500 VRMS

SCALE 4:1	
APPROX SURFACE AREA	
KA-59-343	
USED ON	
REF:	
PLUG, ANG, TNC	
DRAWN KH	DATE 07/14/93
DESIGN JT	DATE 07/15/93
APPR.	DATE

GSD

KINGS ELECTRONICS CO., INC. ROCK HILL, SOUTH CAROLINA 29730	
M39012/30-0101	