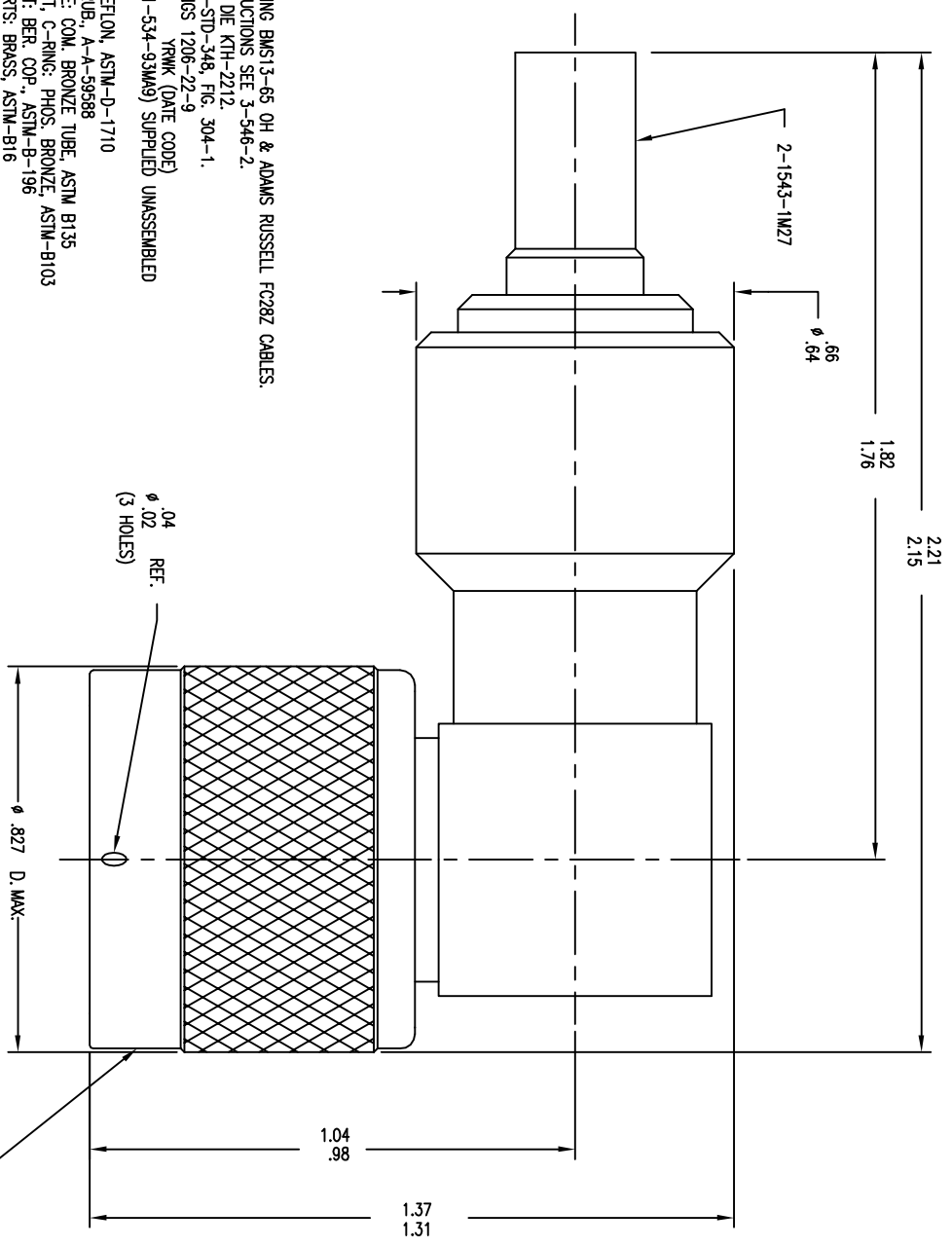


REVISIONS	
ISSUE	CHANGES
0	ER 35256 JCA 12/16/93
1	CN 35739 A MJB 08/10/94
2	CN 38322 E TML 06/15/01
D	REVISED PER DMF304 & ER34270 CY 09/02/11



- NOTES:
1. FOR USE WITH BOEING BMS13-65 OH & ADAMS RUSSELL FC28Z CABLES.
 2. FOR CABLING INSTRUCTIONS SEE 3-546-2.
 3. FOR CRIMPING USE DIE KTH-2212.
 4. INTERFACE PER MIL-STD-348, FIG. 304-1.
 5. MARK PACKAGE: KINGS 1206-22-9
YRMK (DATE CODE)
 6. CENTER CONTACT (1-534-93MA9) SUPPLIED UNASSEMBLED
 7. MATERIALS:
INSULATORS: TEFLON, ASTM-D-1710
GASKET: SIL. RUB. A-A-59588
K-GRIP SLEEVE: COM. BRONZE TUBE, ASTM B135
OUTER CONTACT, C-RING: PHOS. BRONZE, ASTM-B103
CRIMP CONTACT: BER. COP., ASTM-B-196
ALL OTHER PARTS: BRASS, ASTM-B16
 8. FINISHES:
CONTACTS: .000050 MIN GOLD PLATE, PER ASTM-B-488 OVER .000050 MIN NICKEL PER AMS-QQ-N-290 (RHHS)
OUTER CONTACT: .000200 MIN SILVER PER ASTM-B-700 OVER .000020 MIN COPPER PER ASTM B734 (RHHS)
ALL OTHER METAL PARTS: .000050 MIN NICKEL PER AMS-QQ-N-290 OVER .000050 MIN COPPER PER ASTM B734 (RHHS)
 9. ELECTRICAL CHARACTERISTICS:
NOMINAL IMPEDANCE: 50 OHMS
VOLTAGE RATING: 1000 VRMS
FREQUENCY RANGE: DC TO 11 GHz
 10. WEIGHT: 76.2 GRAM

MARK: KINGS 1206-22-9
YRMK (DATE CODE)

CUSTOMER
SALES DRAWING

THIS DRAWING, THE DESIGNS AND IDEAS EMBODIED IN THE DEVICE TO WHICH IT RELATES, AND THE METHOD OF PRODUCING THE DEVICE, ARE THE PROPERTY OF WINCHESTER ELECTRONICS CORPORATION AND SHALL NOT BE EMPLOYED, COPIED, OR DISCLOSED TO ANYONE, IN ANY MANNER WITHOUT THE CONSENT OF WINCHESTER ELECTRONICS CORPORATION.

SCALE 4:1
APPROX SURFACE AREA
WAS: E-17522
CAGE CODE: 918336
REF: BOEING

DRAWN JCA		DATE 04/26/93	
DESIGN JT		DATE 04/27/93	
APPR.	DATE		

KINGS
by WINCHESTER
Winchester Electronics
62 Barnes Industrial
Road North
Ridgely, CT 06482

1206-22-9

B
SIZE