

NOTES: UNLESS OTHERWISE SPECIFIED

1. FOR USE WITH RG-58, 58A, 58C, 141 & 141A/U-CABLE.
2. FOR CABLING INSTRUCTIONS SEE CP-415.
3. FOR CABLING TRIMMING USE KTJ-65 & KTD-38.
4. FOR CRIMPING USE DIE KTH-2061.
5. FOR POSITIONING OF CENTER CONTACT USE KTP-3.
6. INTERFACE PER MIL-STD-348, SERIES N, PIN CONTACT.
7. MATERIALS:

INSULATOR: TEFLON, ASTM D1710
 GASKET: SILICONE RUBBER, ZZ-R-765
 K-GRIP SLEEVE: COMMERCIAL BRONZE
 OUTER CONTACT & C-RING: PHOSPHOR BRONZE
 ALL OTHER METAL PARTS: BRASS ASTM B16

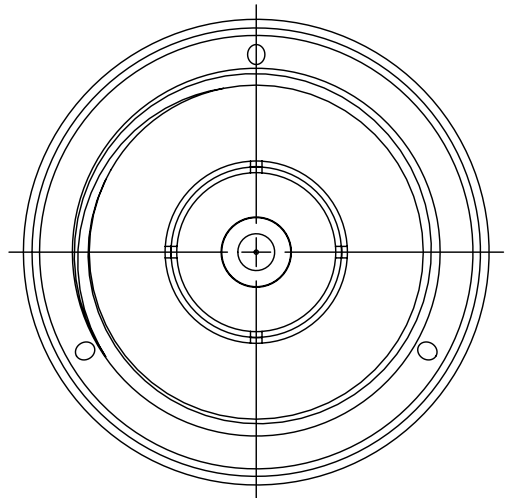
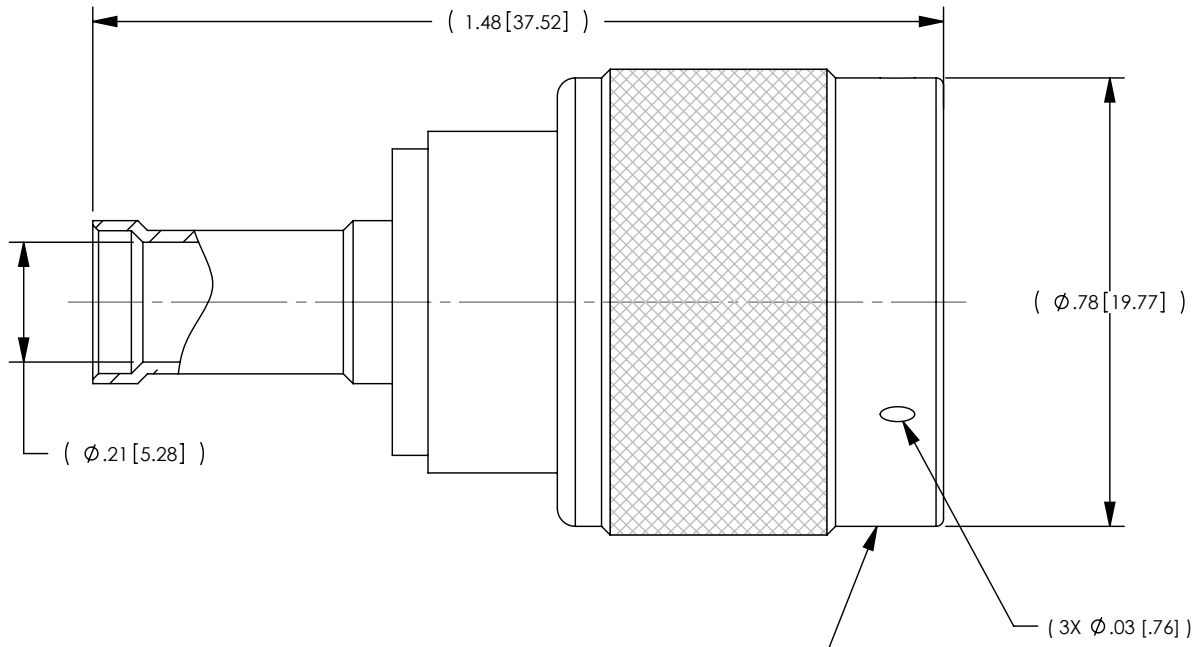
8. FINISHES:

CENTER & OUTER CONTACT: .000200 MIN SILVER PER ASTM-B-700 OVER
 .000020 MIN NICKEL PER ASTM B734.
 ALL OTHER METAL PARTS: .000050 MIN NICKEL PER AMS-QQ-N-290 OVER
 .000050 MIN COPPER PER ASTM B734.

9. ELECTRICAL CHARACTERISTICS:

NOMINAL IMPEDANCE: 50 OHMS
 WORKING VOLTAGE: 1000 VRMS
 FREQUENCY RANGE: DC TO 11 GHz

REV	DESCRIPTION	BY DATE	APPD
H	ER31973	KRL 04/12/11	DCAM



MARK: KINGS KN-59-148 (DATE CODE)

CATALOG P/N: KN-59-148

PER ASME Y14.5M-1994
 UNLESS OTHERWISE SPECIFIED:
 DIMENSIONS ARE IN INCHES [MM]
 TOLERANCES:
 DECIMAL: .01 [X.X] ± .01 [0.3]
 .005 [X.XX] ± .005 [0.13]
 .XXXX [X.XXX] ± .XXXX
 ANGLES: ± 2° SCALE: 3:1

KINGS
 by WINCHESTER
 Winchester Electronics Corporation
 62 Barnes Industrial Road North
 Wallingford, Connecticut 06492

DRAWN		DATE		APPROVED		DATE	
WJM		09/23/91		XXX		XX/XX/XX	
APPROVED		DATE		APPROVED		DATE	
MJB		09/25/91		XXX		XX/XX/XX	



CUSTOMER SALES DRAWING				THIRD ANGLE			
PLUG, N (RoHS COMPLIANT)							
A	SDKN-59-148	SHT 1	OF 1	REV H			