



Introducing

## EV100 Contactor

*600 Vdc, 100 amp hermetically sealed  
DC contactor*

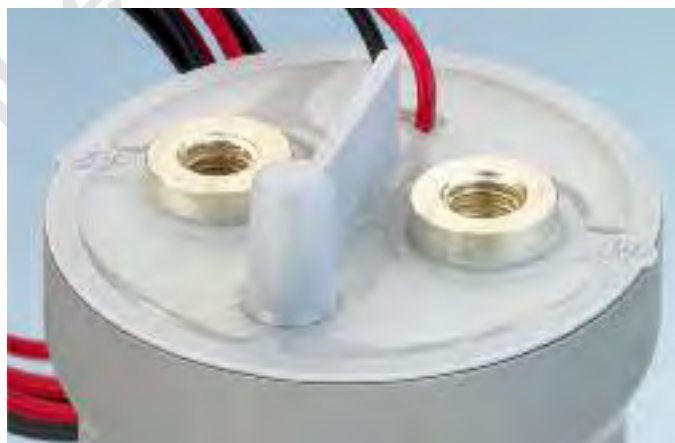


# KILOVAC EV100 Series 600 Vdc Contactor

## PART NUMBERING

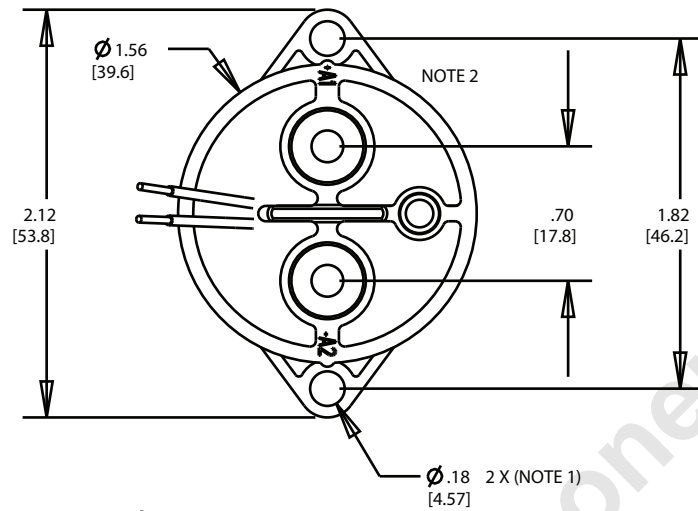
Typical Part Number		EV100	A	A	A	N	A
<b>Series:</b> EV100 - 100A, 600 Vdc Contactor							
<b>Contact Form:</b> A = Normally Open							
<b>Coil Voltage:</b> 9-36 Vdc							
<b>Coil Wire Length:</b> A = 15 inches [.4M]							
<b>Coil Termination:</b> N = None - Stripped Wires							
<b>Mounting:</b> A = Bottom Mount      2X #8, M5X10 Mains							

Specifications are subject to change without notice.



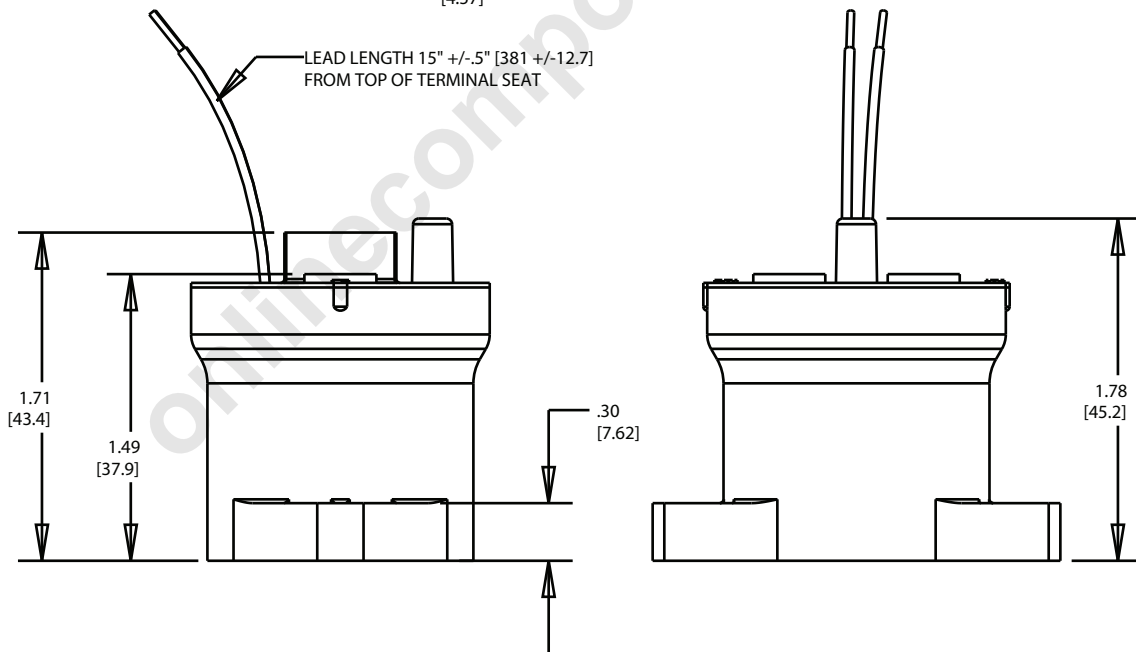
# KILOVAC EV100 Series 600 Vdc Contactor

## DIMENSIONS



NOTE 1. MOUNTING HARDWARE (NOT SUPPLIED)  
2 X M4 BOLT, LOCKWASHER AND WASHER  
TORQUE: 20 IN-LBS (2.3 NM) MAX

NOTE 2. LOAD TERMINALS-2 PLCS  
HARDWARE NOT SUPPLIED  
2 X M5 BOLT, LOCKWASHER AND WASHER  
TORQUE: 30-40 IN-LBS (3.4 TO 4.5 NM)  
DEPTH: 7 THREADS MAX



# KILOVAC EV100 Series 600 Vdc Contactor

## PERFORMANCE DATA

### Physical Data

Contact Arrangement: Main Contacts	SPST-NO (Form X)
Dimensions	See drawings on previous page
Weight	4.58 oz (130g)

### Electrical Data

Voltage Rating: Main Contacts Switching (max)	750VDC
Current Rating: Main Contacts Switching	
Continuous (Note 1)	100A
Short Term -- 3 Minutes (Note 2)	200A
Contact Voltage Drop: Main Contacts	0.05 max @ rated current
Resistive Load Performance (polarity sensitive):	
50A make/break @ +400Vdc	50,000 cycles
50A make/break @ +600Vdc	25,000 cycles
100A make/break @ +400Vdc	6,000 cycles
100A make/break @ +600Vdc	5,000 cycles
100A make/break @ -400Vdc	1,000 cycles
100A make/break @ -600Vdc	25 cycles
200A make/break @ +400Vdc	500 cycles
200A make/break @ +600Vdc	200 cycles
1,000A break only @ +400Vdc	5 cycles
600A break only @ +600Vdc	5 cycles
600A make only	10 cycles
Maximum Short Circuit Current (1/2 cycle, 60 Hz) (through closed contacts)	1,250A
Dielectric Withstand Voltage:	
Between Open Contacts	2,200Vrms
Contacts to Coil	1,500Vrms/4,000Vdc
Insulation Resistance, Terminal to Terminal / Terminals to Coil	
When New	100 megohms, min. @ 500Vdc
At End of Life	50 megohms, min. @ 500Vdc
Mechanical Life	10 <sup>6</sup>

### Coil Data (Internal Coil Economizer)

Coil Voltage Range	9-32 Vdc
Maximum Pickup Current (20 ° C)	1-5 A
Average Holding Current (20 ° C)	0.25A@12Vdc/0.15A@24Vdc
Pickup Voltage (20C)	≥9Vdc
Dropout Voltage	≤8Vdc
Pickup Pulse (max.)	100 ms
Coil Resistance +/-5% (20 ° C)	8.0 Ω
Coil Economizer Frequency	19.6 kHz
Coil Power Typ. (over temp range)	3-4W

### Operate & Release Time

Operate Time Max.	30ms
Operate Bounce Max.	5ms
Release Time	10ms

### Environmental Data

Shock, 11ms 1/2 sine (operating)	20G peak
Sine Vibration, 20G peak	55-2,000 Hz.
Operating Temperature Range	-40°C to +85°C
Noise Emission (at 100 mm distance)	70dB(a)

### Notes:

<sup>1</sup> 8.4mm<sup>2</sup> conductor. Current rating is affected by conductor size. Keep terminals below 150 ° C max. continuous.

<sup>2</sup> 3 minutes at +40 ° C ambient, 1 minute at -80 ° C ambient with 8.4mm<sup>2</sup> (#8 AWG) conductor.

# KILOVAC EV100 Series 600 Vdc Contactor



Our commitment. Your advantage.

## KEY FEATURES

Hermetically sealed

Operates in explosive/  
harsh environments with-  
out oxidation or contami-  
nation of contacts, during  
long periods of non-  
operation

8kV isolation between  
open contacts permits use  
for high voltage isolation  
and carry

Coil economizer allows for  
operation between 9-36  
VDC

Designed and built in  
accordance with AS 9100

## DESCRIPTION

Low cost, 600 Vdc, 100 amp, hermetically sealed DC contactor

Economized coil for low power consumption between 9-36 VDC

Bottom mount, not position sensitive

One million cycle mechanical life

## APPLICATIONS

Power/motor control circuit isolation, circuit protection and safety in  
industrial machinery

Automotive battery switching and backup

Solar inverter switching

Automotive pre-charge

Test Equipment

Power distribution

## ELECTRICAL

Contact arrangement: SPST-NO (Form X., Double Make)

Voltage rating: 5-600 Vdc at 100 Amps

50K cycles Make/Break: 50 Amps at 400 Vdc

25K cycles Make/Break: 50 Amps at 600 Vdc

Holding current: 0.15 Amps at 24 Vdc

Operate time: 30 ms max.

## PHYSICAL OR OTHER PROPERTIES

Hermetically sealed

Safe for harsh/corrosive environments

No contact oxidation over periods of non-use

## MECHANICAL

Small size: 1.5" x 1.5" approximately

Weight: 130 grams

## FOR MORE INFORMATION

[te.com/ADM](http://te.com/ADM)

### TE Technical Support Center

Internet: [www.te.com/ADM](http://www.te.com/ADM)

USA:	+1 (800) 522-6752
Canada:	+1 (905) 475-6222
Mexico	+52 (0) 55-1106-0800
Latin/S. America:	+54 (0) 11-4733-2200
Germany:	+49 (0) 6251-133-1999
UK:	+44 (0) 800-267666
France:	+33 (0) 1-34-20-8686
Netherlands:	+31 (0) 73-6246-999
China:	+86 (0) 400-820-6015

### [te.com/ADM](http://te.com/ADM)

©2011 Tyco Electronics Corporation, a TE Connectivity Ltd. Company. All Rights Reserved.

1773462-7 2.5M ADM/RRD 10/2011

KILOVAC, TE Connectivity and TE connectivity (logo) and TE (logo) are trademarks of the TE Connectivity Ltd. family of companies. Other logos, product and/or company names might be trademarks of their respective owners.

While TE has made every reasonable effort to ensure the accuracy of the information herein, nothing herein constitutes any guarantee that such information is error-free or any other representation, warranty or guarantee that the information is accurate, correct, reliable or current. The TE entity issuing this publication reserves the right to make any adjustments to the information contained herein at any time without notice. All implied warranties of merchantability or fitness for a particular purpose are expressly disclaimed. The dimensions herein are for reference purposes only and are subject to change without notice. Specifications are subject to change without notice. Consult TE for the latest dimensions and design specifications.

