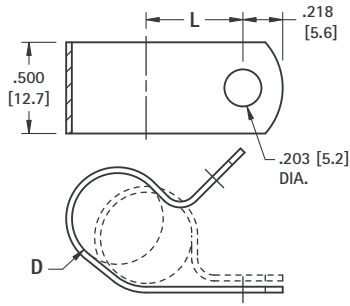
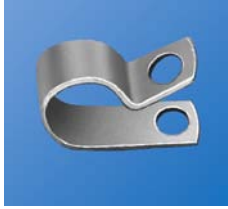


## STEEL CABLE CLAMPS

Ideal for securing, grounding and routing cable, wiring, piping, tubing, components and fibre optics.

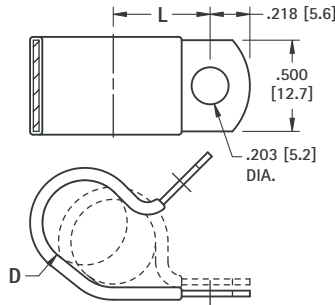


**MATERIAL:** .032 (.81) Steel, Zinc Plate

CAT. NO.	D FOR DIA.	L CTR TO CTR
8100	.187 (4.7)	.375 (9.5)
8101	.250 (6.4)	.406 (10.3)
8102	.312 (7.9)	.437 (11.1)
8103	.375 (9.5)	.468 (11.9)
8104	.437 (11.1)	.500 (12.7)
8105	.500 (12.7)	.531 (13.5)
8106	.562 (14.4)	.562 (14.3)
8107	.625 (15.9)	.594 (15.1)
8108	.687 (17.4)	.625 (15.9)
8109	.750 (19.0)	.656 (16.7)
8110	.812 (20.6)	.687 (17.4)
8111	.875 (22.2)	.718 (18.2)
8112	.937 (23.8)	.750 (19.1)
8113	1.00 (25.4)	.781 (19.8)

## INSULATED STEEL CABLE CLAMPS

Ideal for securing, insulating and routing cable, wiring, piping, tubing, components and fibre optics.

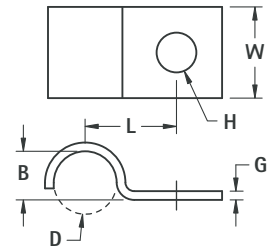
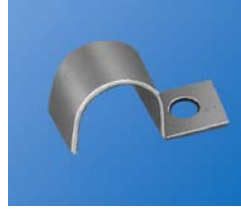


**MATERIAL:** .032 (.81) Steel, Zinc Plate  
**Cushion:** Black Vinyl

CAT. NO.	D FOR DIA.	L CTR TO CTR
8121	.187 (4.7)	.406 (10.3)
8122	.250 (6.4)	.437 (11.1)
8123	.312 (7.9)	.468 (11.9)
8124	.375 (9.5)	.500 (12.7)
8125	.437 (11.1)	.531 (13.5)
8126	.500 (12.7)	.562 (14.3)
8127	.562 (14.3)	.594 (15.1)
8128	.625 (15.9)	.625 (15.9)
8129	.687 (17.4)	.656 (16.7)
8130	.750 (19.1)	.687 (17.4)
8131	.812 (20.6)	.718 (18.2)
8132	.875 (22.2)	.750 (19.1)
8133	.937 (23.8)	.781 (19.8)
8134	1.000 (25.4)	.812 (20.6)

## STEEL HALF CLAMPS

Ideal for securing, grounding and routing cable, wiring, piping, tubing, components and fibre optics.

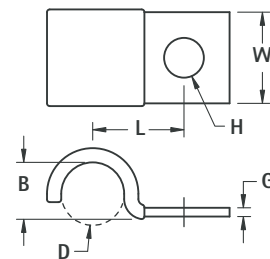


**MATERIAL:** Steel, Zinc Plate

CAT. NO.	D FOR DIA.	H HOLE DIA.	L CTR TO CTR	B THICK	G THICK	W WIDTH
8140	.125 (3.2)	.218 (5.5)	.437 (11.1)	.125 (3.2)	.032 (.81)	.500 (12.7)
8141	.187 (4.7)	.218 (5.5)	.437 (11.1)	.156 (4.0)		
8142	.250 (6.4)	.218 (5.5)	.437 (11.1)	.187 (4.7)		
8143	.312 (7.9)	.218 (5.5)	.500 (12.7)	.250 (6.4)	.048 (1.22)	.500 (12.7)
8144	.375 (9.5)	.218 (5.5)	.531 (13.5)	.312 (7.9)		
8145	.437 (11.1)	.218 (5.5)	.562 (14.3)	.375 (9.5)	.060 (1.52)	.625 (15.9)
8146	.500 (12.7)	.218 (5.5)	.625 (15.9)	.437 (11.1)		
8147	.562 (14.3)	.218 (5.5)	.687 (17.4)	.500 (12.7)		
8148	.625 (15.9)	.218 (5.5)	.750 (19.1)	.562 (14.3)	.060 (1.52)	.625 (15.9)
8149	.687 (17.4)	.218 (5.5)	.812 (20.6)	.625 (15.9)		
8150	.750 (19.1)	.218 (5.5)	.812 (20.6)	.687 (17.4)	.060 (1.52)	.625 (15.9)
8151	.812 (20.6)	.218 (5.5)	.875 (22.2)	.750 (19.1)		
8152	.875 (22.2)	.281 (7.1)	.937 (23.8)	.812 (20.6)		
8153	.937 (23.8)	.281 (7.1)	.968 (24.6)	.812 (20.6)	.060 (1.52)	.750 (19.1)
8154	1.000 (25.4)	.281 (7.1)	1.000 (25.4)	.937 (23.8)		

## INSULATED STEEL HALF CLAMPS

Ideal for securing, insulating and routing cable, wiring, piping, tubing, components and fibre optics.



**MATERIAL:** Steel, Zinc Plate  
**Cushion:** Black Vinyl

CAT. NO.	D FOR DIA.	H HOLE DIA.	L CTR TO CTR	B THICK	G THICK	W WIDTH
8160	.187 (4.7)	.218 (5.5)	.437 (11.1)	.187 (4.7)	.032 (.81)	.500 (12.7)
8161	.250 (6.4)	.218 (5.5)	.500 (12.7)	.250 (6.4)		
8162	.312 (7.9)	.218 (5.5)	.531 (13.5)	.312 (7.9)		
8163	.375 (9.5)	.218 (5.5)	.562 (14.3)	.375 (9.5)	.048 (1.22)	.625 (15.9)
8164	.437 (11.1)	.218 (5.5)	.625 (15.9)	.437 (11.1)		
8165	.500 (12.7)	.218 (5.5)	.687 (17.4)	.500 (12.7)	.060 (1.52)	.625 (15.9)
8166	.562 (14.3)	.218 (5.5)	.750 (19.1)	.562 (14.3)		
8167	.625 (15.9)	.218 (5.5)	.812 (20.6)	.625 (15.9)		
8168	.687 (17.4)	.218 (5.5)	.812 (20.6)	.687 (17.4)	.060 (1.52)	.625 (15.9)
8169	.750 (19.1)	.218 (5.5)	.875 (22.2)	.750 (19.1)		
8170	.812 (20.6)	.281 (7.1)	.937 (23.8)	.812 (20.6)	.060 (1.52)	.750 (19.1)
8171	.875 (22.2)	.281 (7.1)	.968 (24.6)	.812 (20.6)		
8172	.937 (23.8)	.281 (7.1)	1.000 (25.4)	.937 (23.8)		
8173	1.000 (25.4)	.281 (7.1)	1.062 (27.0)	1.000 (25.4)		