

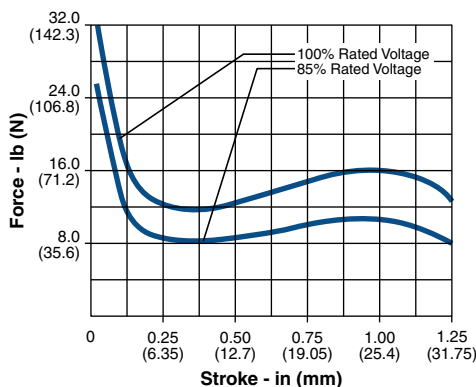
Dormeyer® Laminate Size 3000 (1" stack) — AC Operation

Specifications

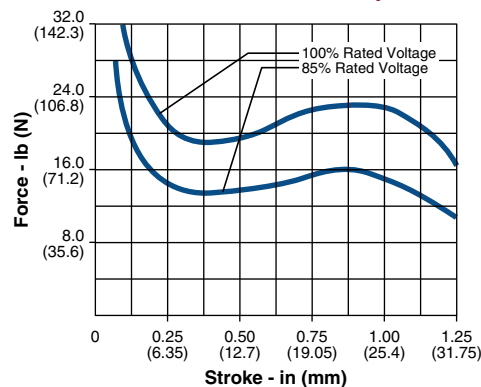
Continuous Duty Cycle	At 20°C ambient temperature
Intermittent Duty Cycle	20% on time, 80% off time. On time not to exceed 3 min. at 20°C ambient temperature
Coil Insulation	Class "A": 105°C max. temperature standard
Coil Termination	Solder lugs
Plunger Variations	See page 41
Total Weight	43 oz. (1.2 kg)
Dimensions	See page 41

All catalog products manufactured after April 1, 2006 are RoHS Compliant

AC Continuous Duty



AC Intermittent Duty



Duty Cycle	Continuous		Intermittent	
Model	3000-M-1	3001-M-1	3500-M-1	3501-M-1
Volts—60Hz (50 Hz avail.)	120	240	120	240
Coil Resistance ± 10% (Ohms at 25°C)	6.5	26	4.8	19.3
Watts Seated ± 10%	25.0	23.5	47.0	48.0
Amps Seated ± 10%	0.66	0.33	1.80	0.68
Amps at 1/4" ± 10%	3.80	1.80	6.50	3.20
Amps at 1/2" ± 10%	5.50	2.80	9.50	4.80
Amps at 3/4" ± 10%	7.50	3.90	13.00	6.60
Amps at 1" ± 10%	10.00	5.20	15.50	7.70
Amps at 1 1/4" ± 10%	12.00	6.50	17.00	8.50

NOTES:

- All data is typical.
- Pull values indicated are without plunger weight. Add or subtract 0.79 lbs. (3.5 g) to obtain net pull when operated with or against gravity. Force data: ±10%.
- All data reflects operation with no heatsink.
- Other coil terminations available.
- All specifications subject to change without notice.

How to Order

Select the part number from the table provided. (For example, to order a continuous duty cycle unit rated at 120 VAC, specify 3000-M-1.

Please see www.ledex.com (click on Stock Products tab) for our list of stock products available through our distributors.

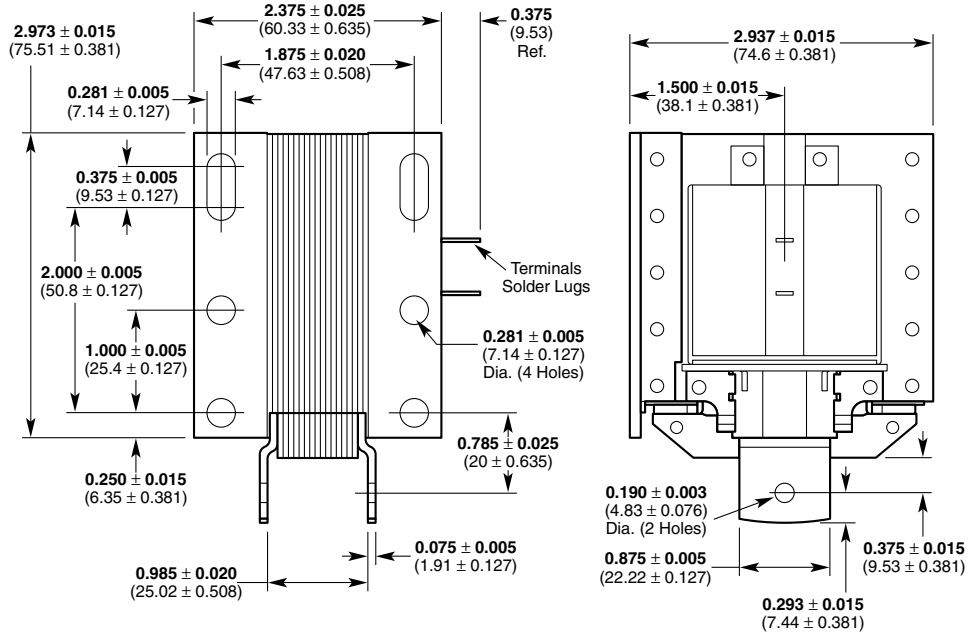
All specifications subject to change without notice.

Dormeyer® Laminate Dimensions

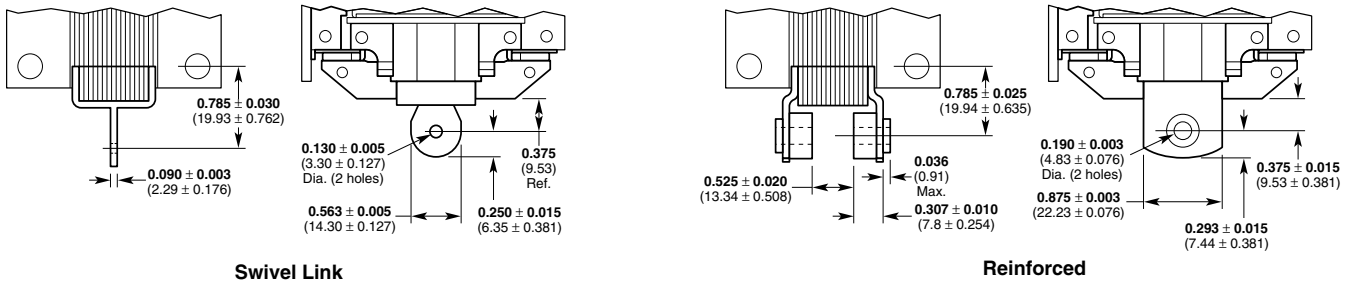
Inches (mm)

All solenoids are illustrated in energized state

Size 3000 (1" Stack)



Size 3000 (1" Stack) Plunger Variations



All specifications subject to change without notice.