

SERIES 163



Single Pole Lighted and Non-Lighted Rockers

This compact traditionally styled switch is ideal for applications where reliable performance is needed for switching loads up to 16 amps. The lighted version is well suited where additional status indication is needed.

KEY FEATURES:

- SPST and SPDT circuitry
- Snap-in panel mounting
- Neon lighted or non-lighted versions available
- .250 slip-on terminals
- UL recognized and CSA certified
- Some circuits VDE approved

APPLICATIONS

- Test equipment
- Medical controls
- Office equipment

ORDERING INFORMATION:

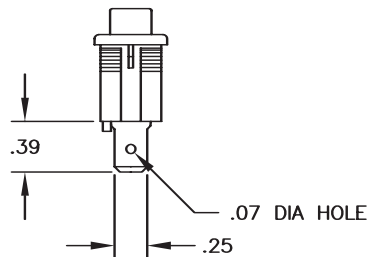
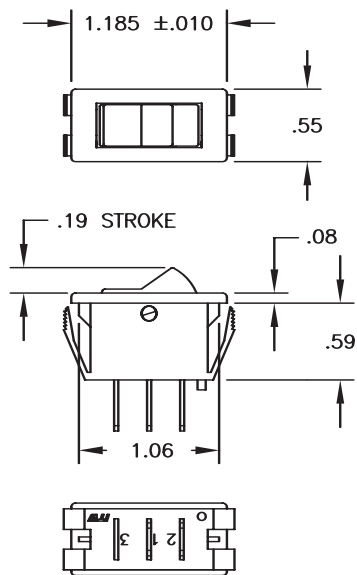
Part Number	Circuit	Lighting	Rocker Color
163-029-006	SPST	125V Neon	Red
163-099-009	SPST	—	Black
163-099-029	SPDT	—	Black

STANDARDS / AGENCY / RATINGS:



SERIES 163—SINGLE POLE LIGHTED AND NON-LIGHTED ROCKERS

LIGHTED ROCKER



MECHANICAL / ELECTRICAL CHARACTERISTICS:

Rating:

16 amps

Terminals:

slip on

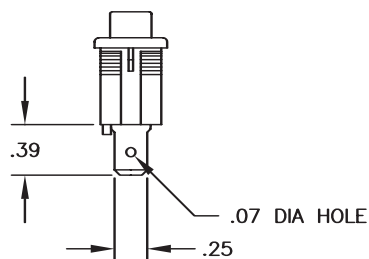
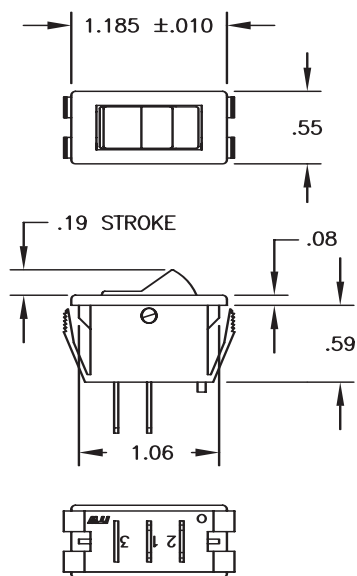
Case color:

black

Electrical Ratings:

Circuitry	Current	HP	Voltage
SPST	16 Amps	3/4	125 VAC
SPDT	12 Amps	3/4	250 VAC
	16 Amps	—	28 VDC

NON-LIGHTED ROCKER



MOUNTING:

Snaps into panels from: .015" (.4 mm) to .125" (3.2 mm) thick.

Recommended cutout: .48" (12.2 mm) x 1.08" (27.4 mm).

It is recommended the switch cut out be punched from front of panel.

Switches

2550 Millbrook Drive

Buffalo Grove, IL 60089

800.544.3354

847.876.9400

847.876.9440 (Fax)

www.itwswitches.com

customer_service@itwswitches.com