

# TDAB & TDAF

## TIME DELAY TIMERS

**Industrial Timer Company**  
 30 Industrial Park Road  
 Centerbrook, CT 06409  
 800-394-7130  
[www.industrialtimercompany.com](http://www.industrialtimercompany.com)



### TDAB SERIES TIMER

#### DESCRIPTION

The TDAB and TDAF series timers are rugged, high-precision time delay timers. They feature automatic reset and an infinite-resolution clutch. The TDAF is designed for panel mounting. The TDAB is designed for back or surface mounting. On both units, wiring connections are made on the screw type terminal block. Both have an isolated single pole, double throw load switch. As an option, a reverse clutch is available.

#### APPLICATION

These timers are designed for applications requiring high repetitive accuracy, fast reset, and heavy usage. Typical applications include: conveyor systems, motor start sequence systems, furnace purge controls and HVAC equipment.

### TDAF SERIES TIMER

#### OPERATION

- 1) To set the delay, point the selector to the desired time.
- 2) To start the time delay, close the customer-supplied switch connecting power to the motor.
- 3) At the end of the delay period, the switch in the timer will change state.
- 4) To reset the timer after it has reached the timed-out position, open the switch connecting power to the unit.
- 5) To start the time delay again, wait for the timer to reset and close the switch supplying power to the motor.

#### STANDARD MODELS

Model Number		Maximum Time Cycle	Dial Division
TDAB	TDAF		
15S	15S	15 sec.	0.25 sec.
30S	30S	30 sec.	0.5 sec.
60S	60S	60 sec.	1 sec.
3M	3M	3 min.	3 sec.
5M	5M	5 min.	5 sec.
15M	15M	15 min.	15 sec.
30M	30M	30 min.	30 sec.
60M	60M	60 min.	60 sec.
3H	3H	3 hr.	3 min.

#### SPECIFICATIONS

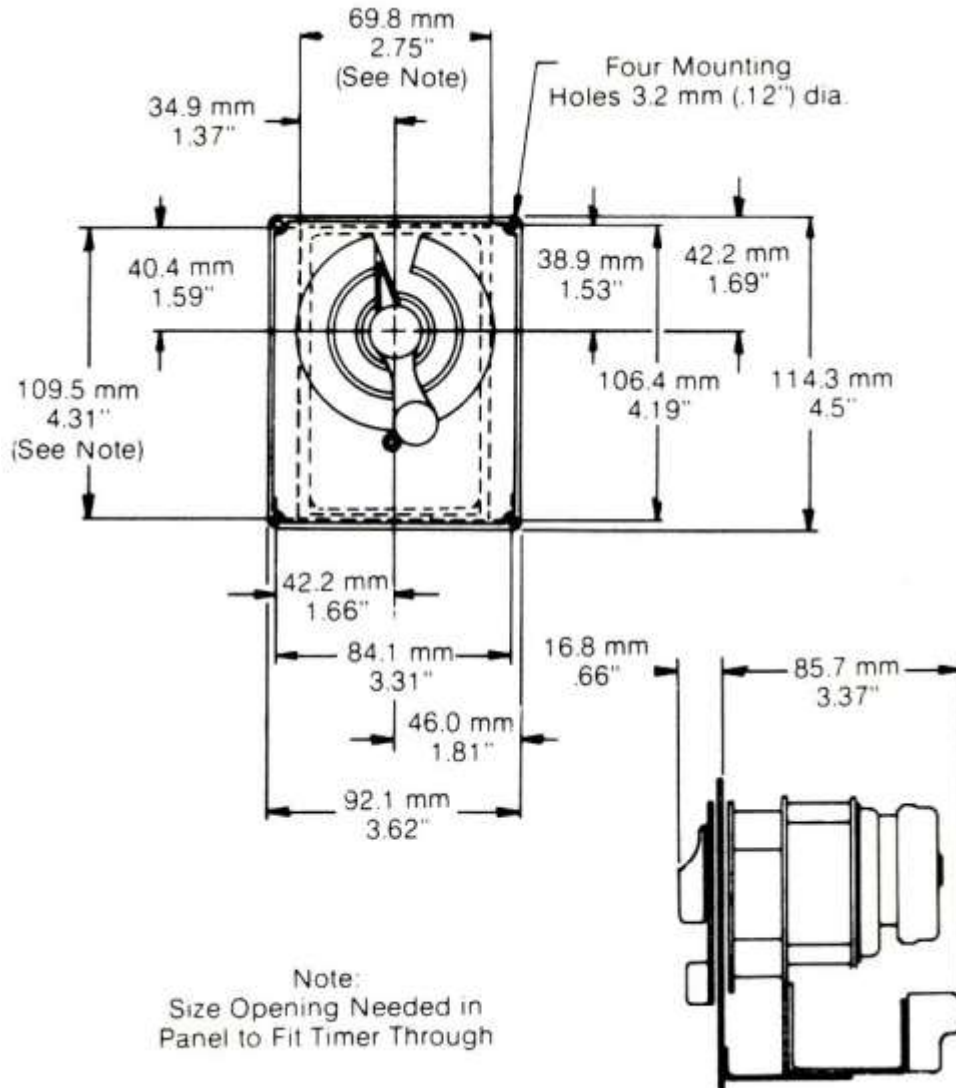
Repeat Accuracy	±0.25% of full scale (with motor running continuously)
Reset Time	0.5 Seconds max at full setting
Load Switch Contacts	Isolated SPDT switch rated at 20 amps, 125, 250, or 480 VAC with non-inductive load.
Wiring	Screw type terminal block
Voltage	120V/60Hz standard. Consult factory for other voltages and frequencies
Agency Approvals	TDAB: UL, CSA; TDAF: CSA

# TDAB & TDAF

## TIME DELAY TIMERS

Industrial Timer Company  
30 Industrial Park Road  
Centerbrook, CT 06409  
800-394-7130  
[www.industrialtimercompany.com](http://www.industrialtimercompany.com)

### TDAF SERIES DIMENSIONS



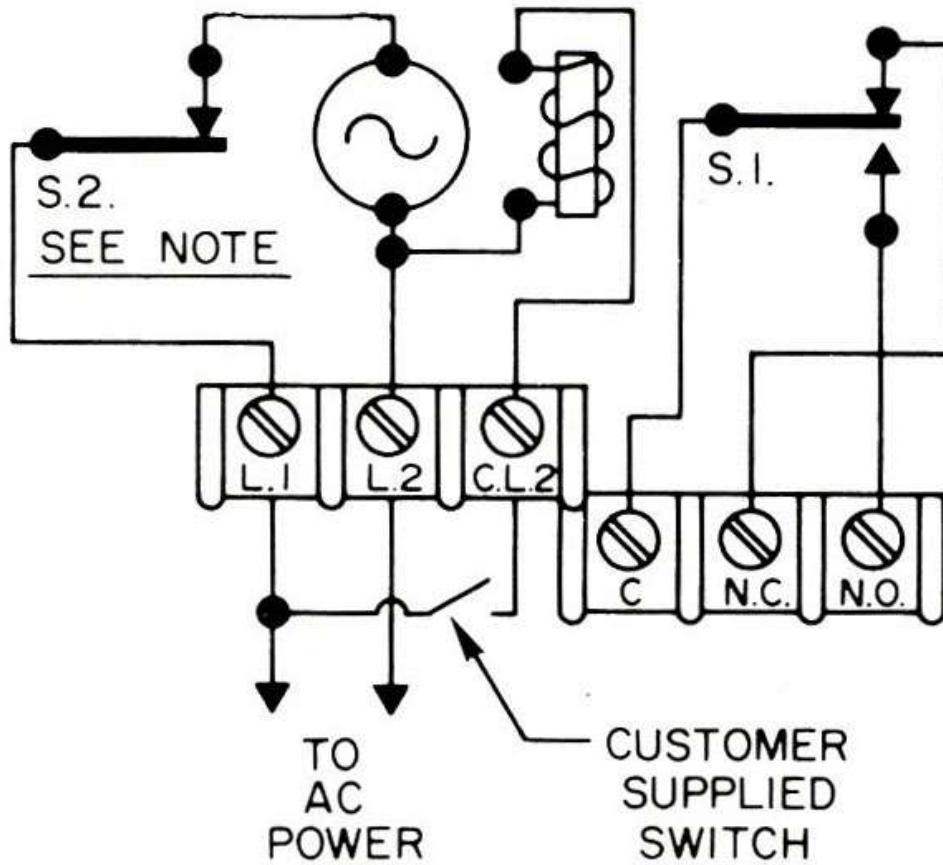
# TDAB & TDAF

## TIME DELAY TIMERS

Industrial Timer Company  
30 Industrial Park Road  
Centerbrook, CT 06409  
800-394-7130  
[www.industrialtimercompany.com](http://www.industrialtimercompany.com)

### WIRING

\*S2 not used in 1 sec. and 3 sec. models

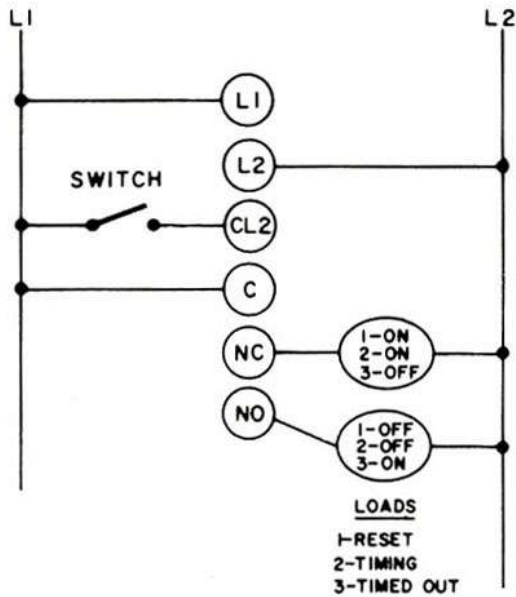


# TDAB & TDAF

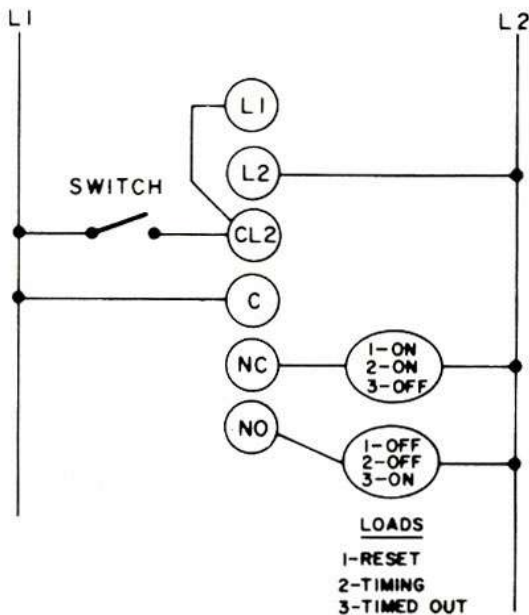
## TIME DELAY TIMERS

Industrial Timer Company  
 30 Industrial Park Road  
 Centerbrook, CT 06409  
 800-394-7130  
[www.industrialtimercompany.com](http://www.industrialtimercompany.com)

### CIRCUIT WIRING SUSTAINED CONTROL SWITCH



**60 seconds to 3 hours:**  
 Close switch to start, open to reset.  
 Motor runs continuously at reset.



**60 seconds to 3 hours:**  
 Close switch to start, open to reset.  
 Motor runs at switch closure.