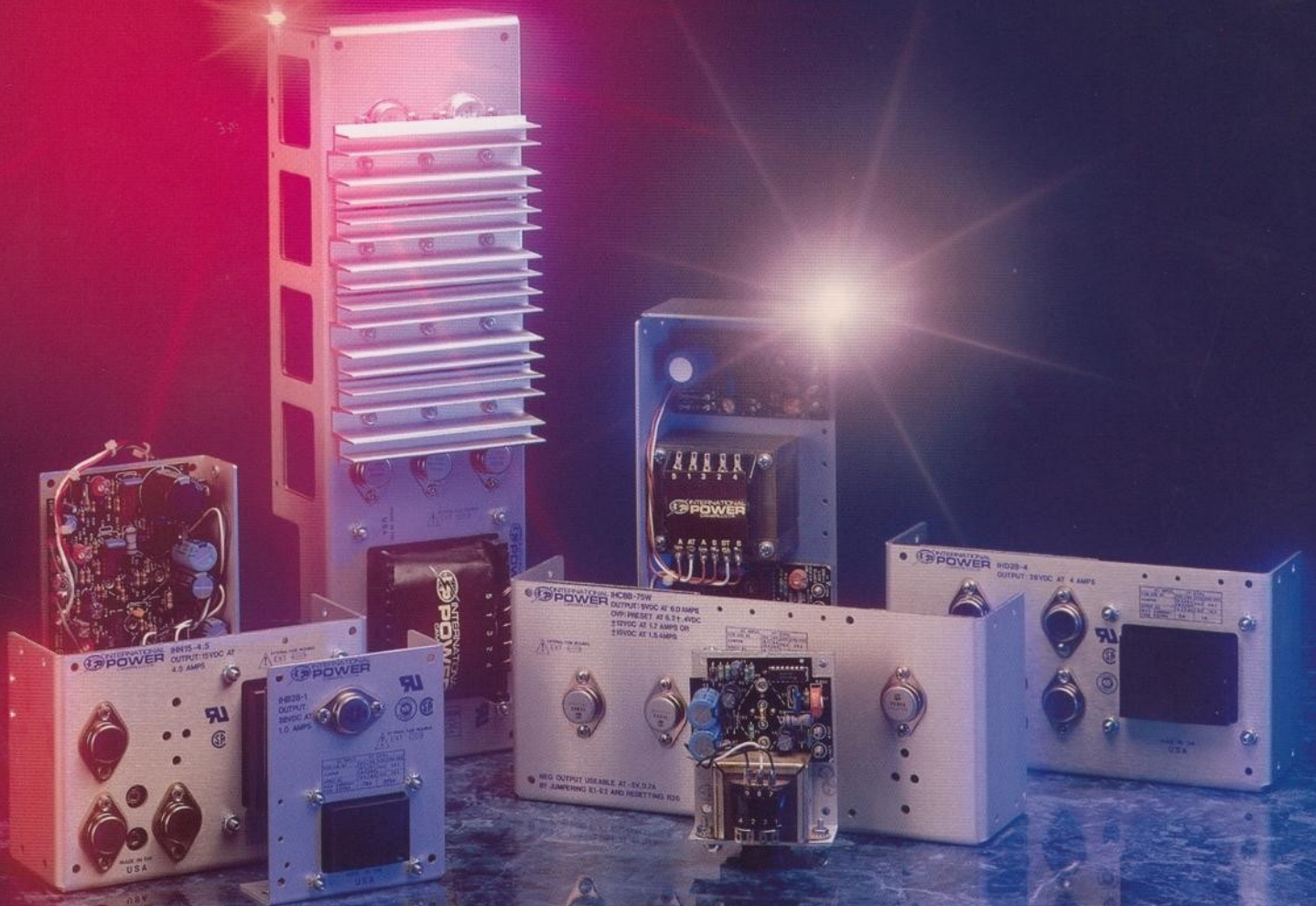


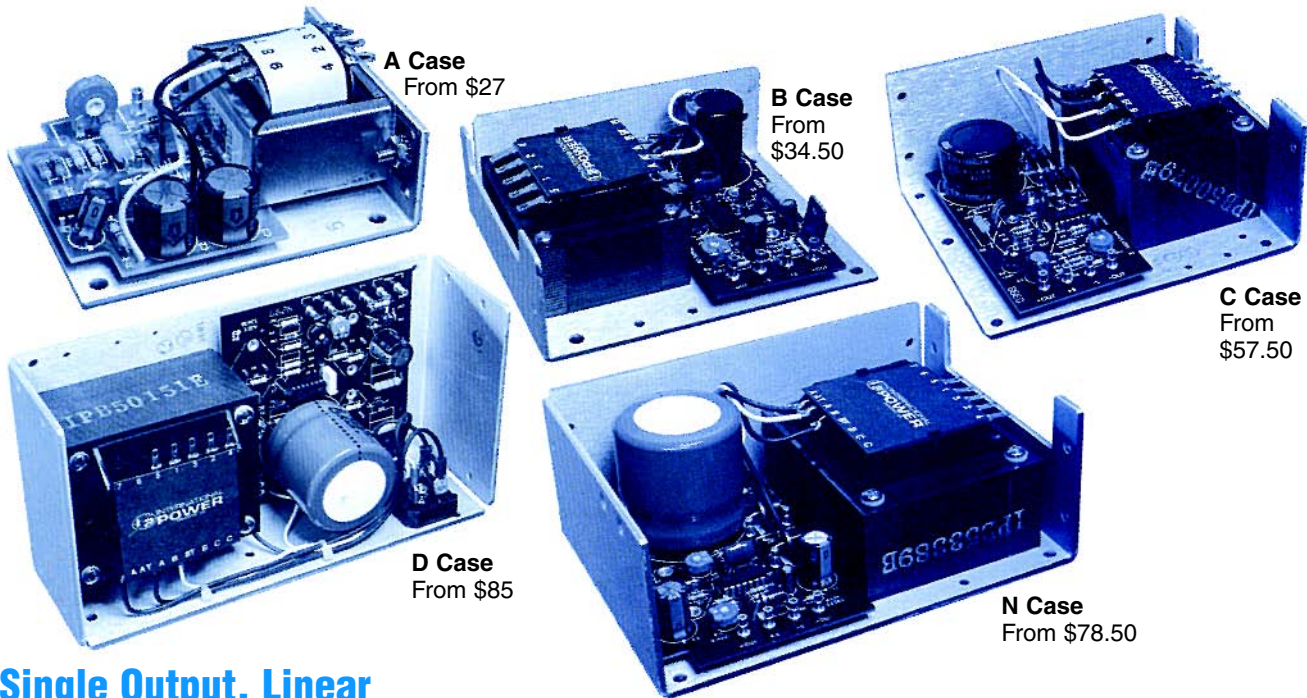


# INTERNATIONAL POWER

DC POWER SUPPLIES



World class **quality!**  
World class **power!**  
Made in America



## Single Output, Linear

### Voltage/Current Rating Chart

Single Output Models				Single Output Models				Single Output Models			
Model	Output Volts	Output Amps	Case Size	Model	Output Volts	Output Amps	Case Size	Model	Output Volts	Output Amps	Case Size
IHA5-1.2/OVP	5	1.2**	A	IHA15-0.5	15	0.5**	A	IHN28-3	28	3*	N
IHA5-1.5/OVP	5	1.5*	B	IHA15-0.9	15	0.9*	B	IHD28-4	28	4*	D
IHB5-3/OVP	5	3*	B	IHB15-1.5	15	1.5*	B	IHE28-6	28	6*	E
IHC5-6/OVP	5	6*	C	IHC15-3	15	3*	C	IF24-12	28	10*	F
IHN5-9/OVP	5	9*	N	IHN15-4.5	15	4.5*	N	IHB48-0.5	48	0.5	B
IHD5-12/OVP	5	12*	D	IHD15-6	15	6*	D	IHB48-0.5-105	48	0.75	B
IHE5-18/OVP	5	18*	E	IHE15-9	15	9*	E	IHC48-1	48	1	C
IF5-25/OVP	5	25*	F	IF15-15	15	15*	F	IHC48-1-105	48	1.5	C
IG5-35/OVP	5	35*	F	IHA24-0.5	24	0.5*	B	IHD48-3	48	3*	D
ICP197	5	50*	F	IHB24-1.2	24	1.2*	B	IHE48-4	48	4*	E
IHA15-0.5	12	0.5**	A	IHC24-2.4	24	2.4*	C	IF48-8	48	8**	F
IHA15-0.9	12	0.9*	B	IHN24-3.6	24	3.6*	N	IHB120-0.2	100-135V	0.2	B
IHB12-1.7	12	1.7*	B	IHD24-4.8	24	4.8*	D	IHB155-0.12	135-170V	0.12	B
IHC12-3.4	12	3.4*	C	IHE24-7.2	24	7.2*	E	IHB200-0.12	175-210V	0.12	B
IHN12-5.1	12	5.1*	N	IF24-12	24	12*	F	IHB250-0.1	215-265V	0.1	B
IHD12-6.8	12	6.8*	D	IHA24-0.5	28	0.5*	B				
IHE12-10.2	12	10.2*	E	IHB28-1	28	1*	B				
IF15-15	12	16*	F	IHC28-2	28	2*	C				

\*Remote Sense Provided  
\*\*Not International Series

## Description

The International Power "open frame series" are a high reliability line of regulated open frame linear DC power supplies designed to operate over the wide range of AC power sources found worldwide. This feature simplifies your inventory and service consideration by allowing the use of one standard power supply regardless of destination.

These models are designed to meet many domestic and international regulatory agency requirements. **If you plan to distribute your products worldwide, obtaining necessary agency approvals can be greatly simplified by specifying the International Power "open frame series."**

## Features

- VDE Transformer Construction
- 100/120/220/230-240 VAC Input
- OVP on 5 Volt Outputs
- $\pm .05\%$  Regulation
- Remote Sense on most Outputs
- Industry Standard Case Size
- Full Rated to 50 Degrees C
- Foldback/Current Limit
- Very Low Output Ripple
- Inherently low Conducted & Radiated noise levels
- Two Hour Burn-in
- Two Year Warranty
- UL Recognized for US & Canada File #E133338
- TUV Rheinland Licensed
- CE Marked
- Chassis notched for AC Input
- AC Input accepts .110 x .032 Fast-on or Solder Connection. Not available on F Case Models
- DC Output 6-32 Screw Terminals Optional

## Specifications

### AC Input:

100/120/220/240 VAC +10%, -13%. 47-63 Hz.  
Tolerance for 230 VAC operation is +15%, -10%.  
Derate output current 10% for 50 Hz operation.  
See chassis A.C. connection table for jumper and line fusing requirements.

### DC Output:

See Voltage/Current Rating Charts.  
Adjustment range  $\pm 5\%$  minimum.  
Voltage nonadjustable on "3 terminal regulator" outputs of models IHAD12 and IHAD15.

### Line Regulation:

$\pm .05\%$  for a 10% line change.  
Exceptions:  $\pm 01\%$  for F case models  
 $\pm 1\%$  for IHAD12 and IHAD15  
 $\pm 0.5\%$  for all other outputs using "3 terminal regulators."

### Load Regulation:

$\pm .05\%$  for a 50% load change.  
Exceptions:  $\pm 02\%$  for F case models  
 $\pm 1\%$  for IHAD12 and IHAD15  
 $\pm 0.5\%$  for all other outputs using "3 terminal regulators."

### Output Ripple:

5 Volt to 28 Volt units: 5mV pk-pk maximum  
48 Volt to 155 Volt units: .02% pk-pk maximum  
200 Volt & 250 Volt units: .05% pk-pk maximum  
3 Terminal Regulator units: 0.2% pk-pk maximum

### Transient Response:

Less than 50  $\mu$ sec for a 50% load change.

### Short Circuit and Overload Protection:

Automatic current limit/foldback

### Overvoltage Protection:

Provided on 5V outputs where indicated. Set at 6.2V  $\pm 0.4$ V.  
Other outputs use optional overvoltage protectors IOVP12 and IOVP24.

### Remote Sensing:

See Voltage/Current Rating Charts. Provided on outputs where indicated.

### Stability:

$\pm 0.3\%$  for 24 hours after 1 hr. warm-up.

### Temperature Ratings;

**Operating:**  
0°C to 50°C full rated, derated linearly to 40% at 70°C. (Recommend forced air at 200 W, 50 CFM required at 250W)

### Storage:

-40°C to 85°C.

### Temperature Coefficient:

.01%/°C typical, .03%/°C maximum.

### Efficiency (typical):

5V outputs:.....	45%
12V and 15V outputs .....	55%
24V through 250V outputs.....	60%

### Master/Slave Operation:

Provided on F case models only. For parallel operation of up to 6 units.

### Vibration:

Random vibration from 10 Hz to 2 KHz, 6.15 grms (3 axis).

### Shock:

Operating 20G peak acceleration.

### EMI/RFI:

These linear power supplies have inherently low conducted and radiated noise levels. For most system applications they will meet the requirements of (FCC) 47CFR15J and EN55022.

### Safety Agency Certifications:

UL: 1950, Third Edition  
CUL: CAN/CSA C22.2 No. 950-95, IEC950  
TUV Rheinland: EN 60950: 1992 + A1 + A2 + A3 + A4 + A11  
CE Mark: LVD 73/23/EEC

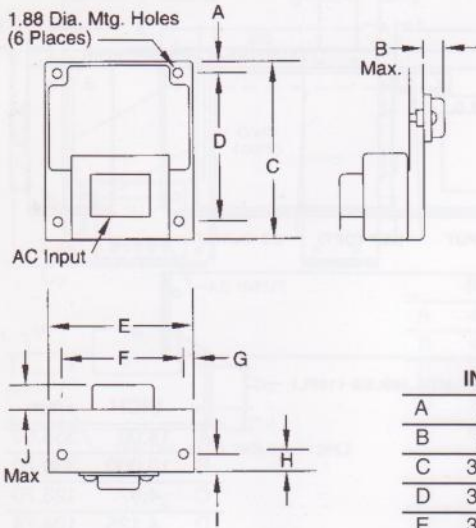
### Leakage Current & Dielectric Withstand:

Leakage current is less than 50uA. Field terminal to terminal spacing is 5.25 mm with 9.0 mm creepage to other metal. Dielectric withstand voltages are 3750 VAC input to chassis, 3750 VAC input to output and 750 VDC output to chassis. UL tested at 4242 VDC input to output, 2121 VDC input to dead metal.



### A Case

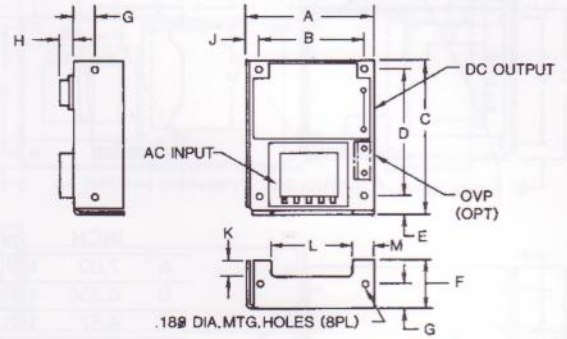
Overall Size: 3.75" x 3.00" x 2.20"  
95.25mm x 76.20mm x 55.88mm  
Weight 1 lb.



	INCH	mm
A	.250	6.35
B	.450	11.43
C	3.75	95.25
D	3.100	78.74
E	3.00	76.20
F	2.500	63.50
G	.250	6.35
H	1.25	31.75
I	.350	8.89
J	.500	12.70

### B Case

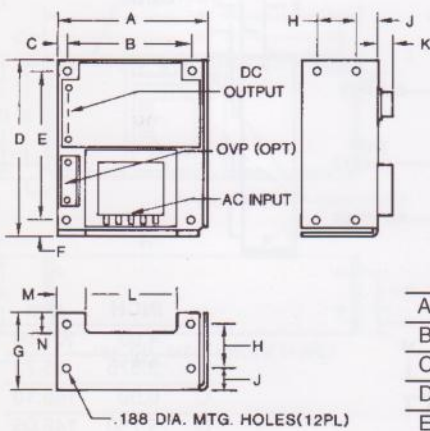
Overall Size: 4.87" x 4.00" x 2.10"  
123.70mm x 101.60mm x 53.34mm  
Weight 2 lbs.



	INCH	mm	INCH	mm	
A	4.00	101.60	G	0.75	19.05
B	3.375	85.73	H	0.450	11.43
C	4.87	123.70	J	0.38	9.65
D	4.125	104.78	K	0.57	14.48
E	0.50	12.70	L	2.60	66.04
F	1.62	41.15	M	0.794	20.17

### C Case

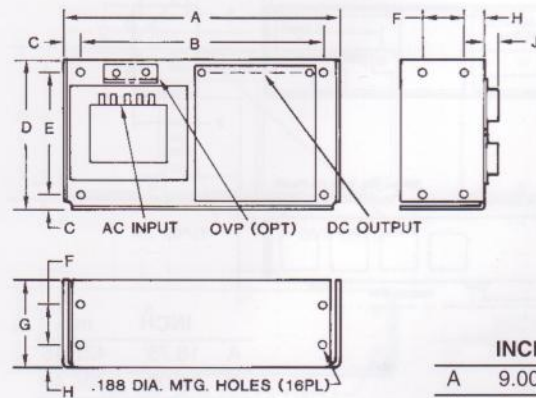
Overall Size: 5.62" x 4.87" x 2.95"  
142.75mm x 123.70mm x 74.93mm  
Weight 4 lbs.



	INCH	mm
A	4.87	123.70
B	4.125	104.78
C	0.25	6.35
D	5.62	142.75
E	4.875	123.83
F	0.50	12.70
G	2.50	63.50
H	1.250	31.75
J	0.75	19.05
K	0.450	11.43
L	2.85	72.39
M	1.025	26.04
N	0.665	16.89

### D Case

Overall Size: 9.00" x 4.87" x 3.28"  
228.60mm x 123.70mm x 83.83mm  
Weight 7.5 lbs.



	INCH	mm
A	9.00	228.60
B	8.000	203.20
C	0.50	12.70
D	4.87	123.70
E	4.125	104.78
F	1.250	31.75
G	2.75	69.85
H	0.75	19.05
J	0.450	11.43