





## Padlockable Type

### • Non-illuminated Emergency Stop Switch

Appearance	NC Main Contact	NO Monitor Contact	Type No.		Operator Color
			IP20 Fingersafe Terminal	w/Terminal Cover	
 	1NC	—	XN4E-BL401MFRH	XN4E-BL401MRH	Bright red only
	2NC	—	XN4E-BL402MFRH	XN4E-BL402MRH	
	3NC	—	XN4E-BL403MFRH	XN4E-BL403MRH	
	4NC	—	XN4E-BL404MFRH	XN4E-BL404MRH	
	1NC	1NO	XN4E-BL411MFRH	XN4E-BL411MRH	
	2NC	1NO	XN4E-BL412MFRH	XN4E-BL412MRH	
	3NC	1NO	XN4E-BL413MFRH	XN4E-BL413MRH	
	2NC	2NO	XN4E-BL422MFRH	XN4E-BL422MRH	



- Only solid wires can be used on the IP20 fingersafe terminal type.
- Padlocks and hasps are not supplied with the emergency stop switches and must be ordered separately. See page 764.

### • Illuminated Emergency Stop Switch

Appearance	Illumination Type	Rated Voltage	NC Main Contact	NO Monitor Contact	Type No.		Operator Color
					IP20 Fingersafe Terminal	w/Terminal Cover	
 	LED	24V AC/DC	1NC	—	XN4E-LL401Q4MFR	XN4E-LL401Q4MR	Red only
			2NC	—	XN4E-LL402Q4MFR	XN4E-LL402Q4MR	
			3NC	—	XN4E-LL403Q4MFR	XN4E-LL403Q4MR	
			4NC	—	XN4E-LL404Q4MFR	XN4E-LL404Q4MR	
			1NC	1NO	XN4E-LL411Q4MFR	XN4E-LL411Q4MR	
			2NC	1NO	XN4E-LL412Q4MFR	XN4E-LL412Q4MR	
			3NC	1NO	XN4E-LL413Q4MFR	XN4E-LL413Q4MR	
			2NC	2NO	XN4E-LL422Q4MFR	XN4E-LL422Q4MR	

- Only solid wires can be used on the IP20 fingersafe terminal type.
- Padlocks and hasps are not supplied with the emergency stop switches and must be ordered separately. See page 764.

### • LED Push-ON Emergency Stop Switch

Appearance	Illumination Type	Rated Voltage	NC Main Contact	NO Monitor Contact	Type No.		Operator Color
					IP20 Fingersafe Terminal	w/Terminal Cover	
 	LED	24V AC/DC	2NC	—	XN4E-TL402Q4MFR	XN4E-TL402Q4MR	Red only
			3NC	—	XN4E-TL403Q4MFR	XN4E-TL403Q4MR	
			2NC	1NO	XN4E-TL412Q4MFR	XN4E-TL412Q4MR	

- Push-ON type is illuminated when the operator is latched, and turns off when reset.
- Only solid wires can be used on the IP20 fingersafe terminal type.
- Padlocks and hasps are not supplied with the emergency stop switches and must be ordered separately. See page 764.

Flush Silhouette
Control Units
Display Lights
Display Units
Safety Products
Terminal Blocks
Comm. Terminals
AS-Interface
Relays & Timers
Sockets
Circuit Protectors
Power Supplies
PLCs & SmartRelay
Operator Interfaces
Sensors
Control Stations
Explosion Protection
References

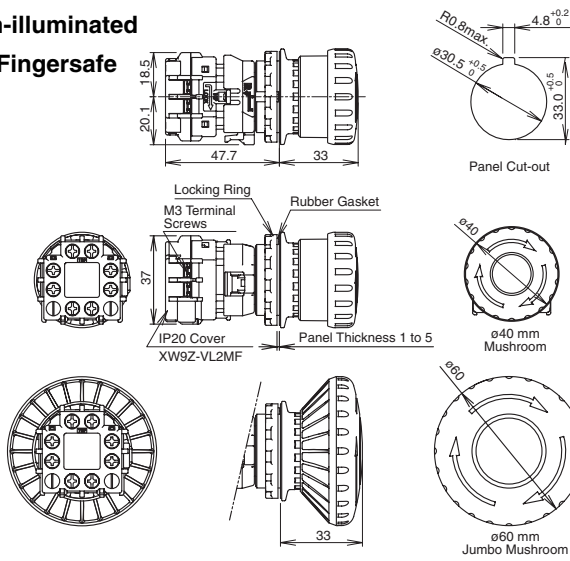
# ∅30 XN Series Emergency Stop Switches

## Dimensions

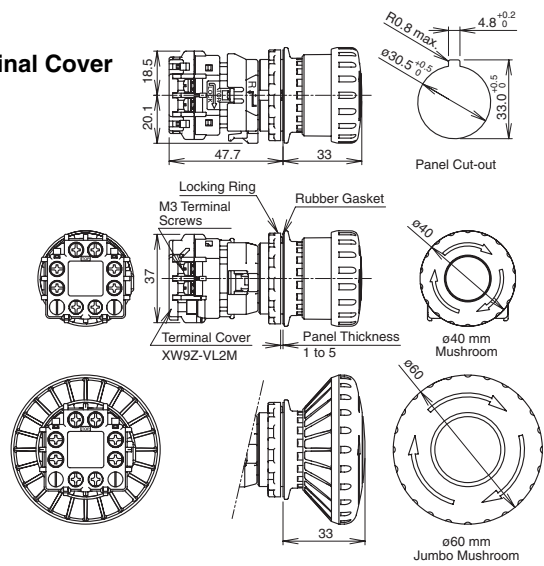
### Plastic Bezel Type

#### • Non-illuminated

#### IP20 Fingersafe

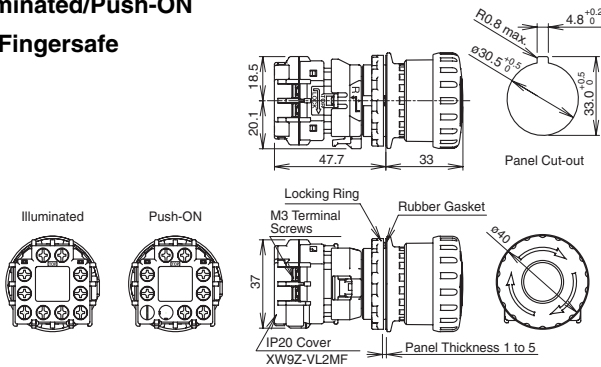


#### w/Terminal Cover

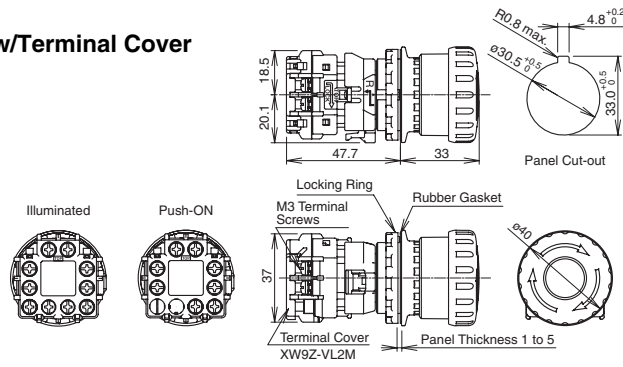


#### • Illuminated/Push-ON

#### IP20 Fingersafe



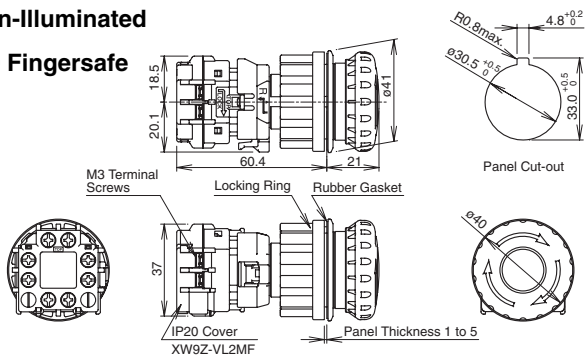
#### w/Terminal Cover



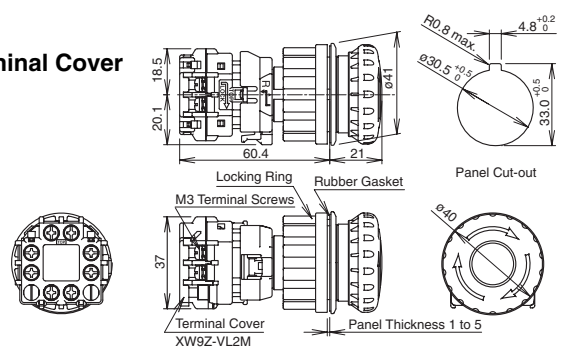
### Flush Bezel Type

#### • Non-Illuminated

#### IP20 Fingersafe

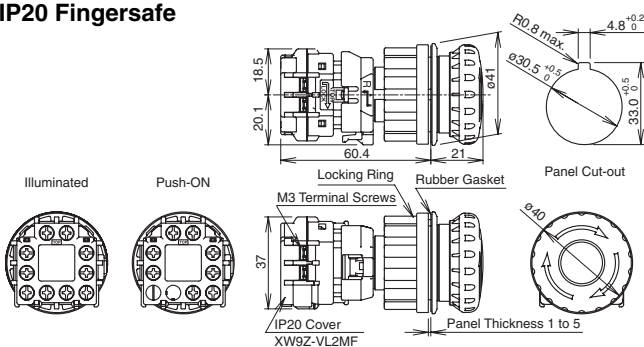


#### w/Terminal Cover

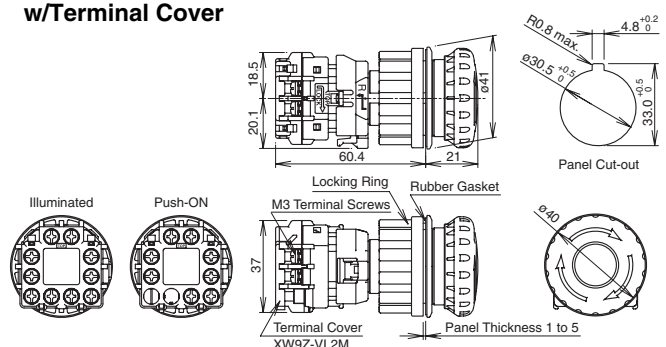


#### • Illuminated/Push-ON

#### IP20 Fingersafe



#### w/Terminal Cover



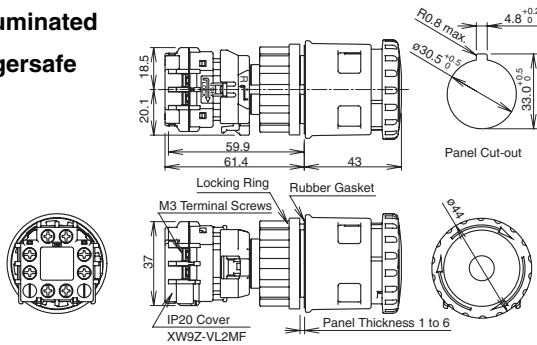
All dimensions in mm.

## Dimensions

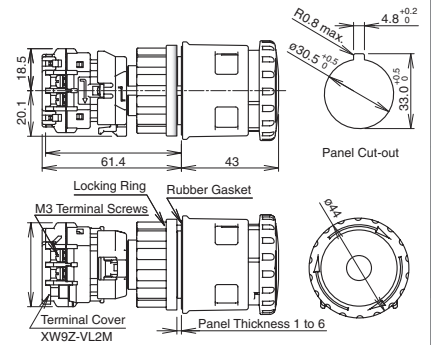
### Padlockable Type

#### • Non-illuminated

#### IP20 Fingersafe

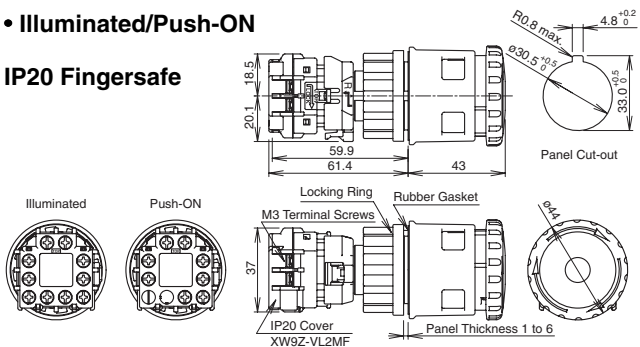


#### w/Terminal Cover

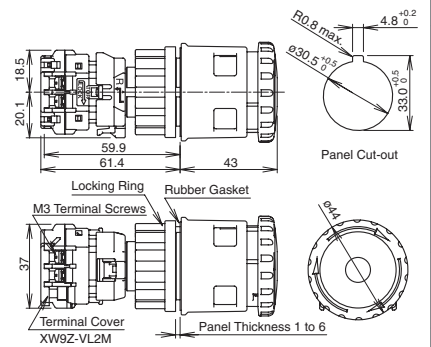


#### • Illuminated/ Push-ON

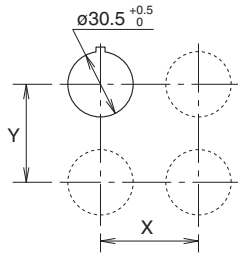
#### IP20 Fingersafe



#### w/Terminal Cover



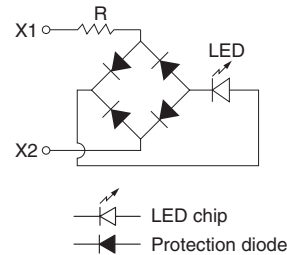
## Mounting Hole Layout



	X	Y
Plastic Bezel Type		
Flush Bezel Type	70 mm minimum	

- The values shown above are the minimum dimensions for mounting with other ø30 mm pushbuttons. For other control units of different sizes and styles, determine the values according to the dimensions, operation, and wiring convenience.
- For padlockable type, determine the values according to the size and number of padlocks and hasp.

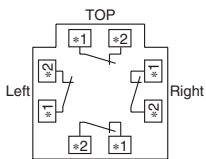
## LED Unit Internal Circuit



## Terminal Arrangement (Bottom View)

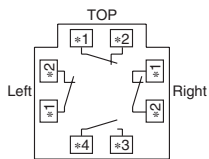
### Non-illuminated

#### • NC main contacts only



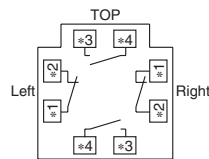
- 1NC: Terminals on right
- 2NC: Terminals on right and left
- 3NC: Terminals on right, left, and top

#### • With 1NO monitor contact



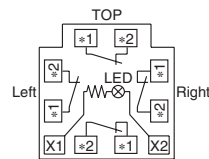
- 1NC: Terminals on top
- 2NC: Terminals on right and left

#### • With 2NO monitor contacts



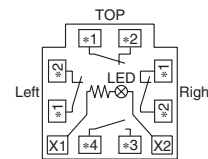
### Illuminated

#### • NC main contacts only



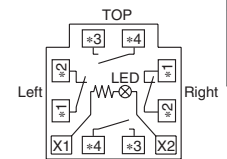
- 1NC: Terminals on right
- 2NC: Terminals on right and left
- 3NC: Terminals on right, left, and top

#### • With 1NO monitor contact



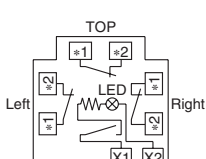
- 1NC: Terminals on top
- 2NC: Terminals on right and left

#### • With 2NO monitor contacts



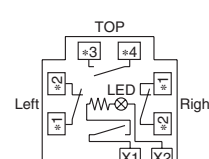
### Push-ON

#### • NC main contacts only

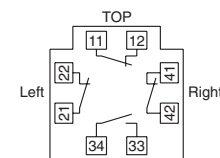


- 2NC: Terminals on right and left
- 3NC: Terminals on right, left, and top

#### • With 1NO monitor contact



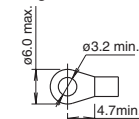
- Contact Type  
1-2: NC main contact  
3-4: NO monitor contact
- Contact Number (1-4)  
Starting with the contact of TOP side, in a counter-clockwise direction.



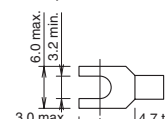
(Example: 1NO-3NC contact)

### Applicable Crimping Terminal

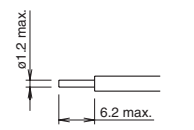
#### Ring Terminal



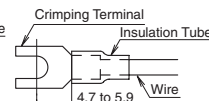
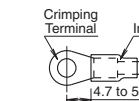
#### Spade Terminal



### Solid Wire



Only solid wire can be used for IP20.



- Be sure to install an insulating tube on the crimping terminal.

All dimensions in mm.

Flush Silhouette

Control Units

Display Lights

Display Units

Safety Products

Terminal Blocks

Comm. Terminals

AS-Interface

Relays & Timers

Sockets

Circuit Protectors

Power Supplies

PLCs & SmartRelay

Operator Interfaces

Sensors

Control Stations

Explosion Protection

References