



[Previous Page](#)

[Printer Friendly Version](#)

Product: **SUB-MINIATURE LOW PROFILE**

ROUND SPEAKER

Description: **ROHS COMPLIANT**

Part Number: **S125RMF**

SPECIFICATIONS:

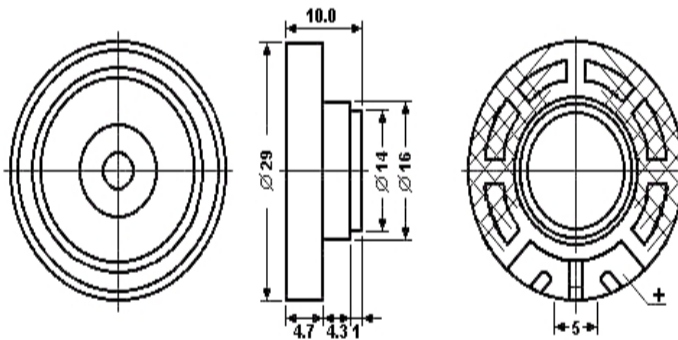
FRAME DIAMETER:	29.0 mm
FRAME DEPTH:	10.0 mm
MATERIAL - CONE/FRAME:	MYLAR / PLASTIC
MAGNET TYPE:	FERRITE
MAGNET: SIZE (MM) - WEIGHT (OZ/GRAMS):	16.0 x 7.0 x 5.0 mm
RATED POWER (WATTS): Nom. / Max:	0.10 / 0.20
VOICE COIL IMPEDANCE:	8 ± 15%
RESONANT FREQUENCY (Hz) Without Baffle:	760 ± 20%
FREQUENCY RESPONSE (Hz):	Fo ~ 3500
OUTPUT SOUND PRESSURE LEVEL (SPL):	80 ± 3 dB
MEASURED AT:	1.0 W @ 1 M
MEAN VALUE AT:	1.0,1.2,1.5,2.0 KHz
OPERATION (MUST BE NORMAL):	PROGRAM SOURCE
BUZZ & RATTLES (MUST BE NORMAL):	SINE WAVE 0.89
DISTORTION @ RATED POWER INPUT):	10% MAX @1.5Hz 100mW
LOAD TEST (WHITE NOISE):	0.89 V @ 24 HOUR
HUMIDITY TEST:	40° ± 2°C 90~95 RH
HEAT TEST:	55° ± 2°C 50% RH
OUTSIDE DIAMETER OF YOKE SEAT (MM):	14.0
OUTSIDE DIAMETER (ELIMINATE RIM):	N/A
BAFFLE OPENING (MM):	27.5
THICKNESS OF RIM (MM):	4.7
NET WEIGHT (OUNCES/GRAMS):	0.293 / 8.3

COMMENTS:

*Speaker MUST meet normal operation and Buzz and Rattles specifications.

These speakers are available, on a special order basis, in 4, 16, 32, 45 and 100 ohms.

DIMENSIONS:



FREQUENCY RESPONSE:

