



[Previous Page](#)

[Printer Friendly Version](#)

Product: **SUB-MINIATURE LOW PROFILE SQUARE SPEAKER**  
Description: **ROHS COMPLIANT**  
Part Number: **S110SL**



### SPECIFICATIONS:

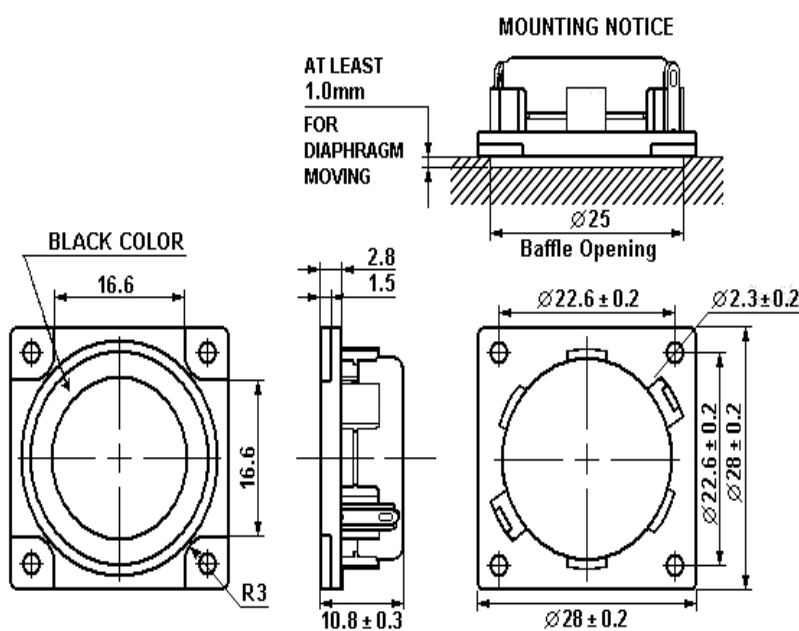
|   |                     |
|---|---------------------|
| FRAME DIAMETER:                         | 28.0 x 28.0 mm      |
| FRAME DEPTH:                            | 10.8 mm             |
| MATERIAL - CONE/FRAME:                  | MYLAR / PLASTIC     |
| MAGNET TYPE:                            | RARE EARTH          |
| MAGNET: SIZE (MM) - WEIGHT (OZ/GRAMS):  | 15.5 x 2.8 - N/A    |
| RATED POWER (WATTS): Nom. / Max:        | 2.00 / 3.00         |
| VOICE COIL IMPEDANCE:                   | 8 ± 15%             |
| RESONANT FREQUENCY (Hz) Without Baffle: | 270 ± 20%           |
| FREQUENCY RESPONSE (Hz):                | Fo ~ 20000          |
| OUTPUT SOUND PRESSURE LEVEL (SPL):      | 82 ± 3 dB           |
| MEASURED AT:                            | 0.1 W @ 50 CM       |
| MEAN VALUE AT:                          | 0.6,0.8,1.0,1.2KHz  |
| OPERATION (MUST BE NORMAL):             | PROGRAM SOURCE      |
| BUZZ & RATTLES (MUST BE NORMAL):        | SINE WAVE 4.0 V     |
| DISTORTION @ RATED POWER INPUT:         | 5% MAX @ 1KHz, 1W   |
| LOAD TEST (WHITE NOISE):                | 1.0 W @ 24 HOUR     |
| HUMIDITY TEST:                          | 40° ± 2°C 90~95% RH |
| HEAT TEST:                              | 55° ± 2°C 50% RH    |
| OUTSIDE DIAMETER OF YOKE SEAT (MM):     | 25.0                |
| OUTSIDE DIAMETER (ELIMINATE RIM):       | N/A                 |
| BAFFLE OPENING (MM):                    | 25.1                |
| THICKNESS OF RIM (MM):                  | 1.5                 |
| NET WEIGHT (OUNCES/GRAMS):              | 0.741 / 21.0        |

### COMMENTS:

\*Speaker MUST meet normal operation and Buzz and Rattles specifications.

These speakers are available, on a special order basis, in 4, 16, 32, 45 and 100 ohms.

### DIMENSIONS:



### FREQUENCY RESPONSE:

