

ELECTRO-ACOUSTIC TRANSDUCER



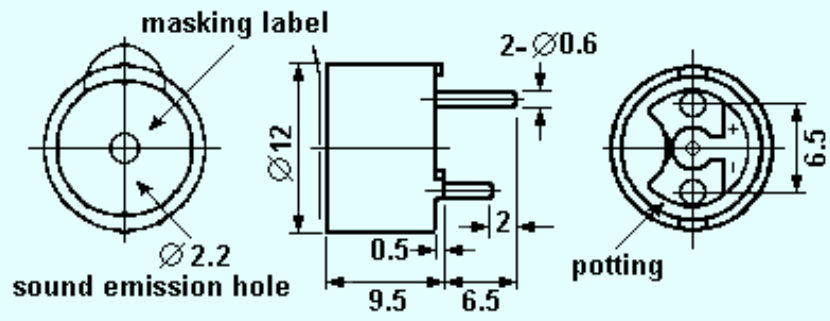
PART NUMBER: BRT1209PF-06

SPECIFICATIONS:

COMMENTS:

- *VALUE APPLYING RATED VOLTAGE (RESONANT FREQUENCY, 1/2 DUTY SQUARE WAVE)
- **VALUE APPLYING (RESONANT FREQUENCY, SINE WAVE, MEASURING CURRENT 60TA)

DIMENSIONS:



International Component Corporation
175 Marcus Blvd. Hauppauge New York, 11788