

HUBBELL® Watertight Wiring Devices



Watertight and
Weather Protective Devices
for Demanding Environments



Wiring Device-Kellems

www.hubbell-wiring.com

Watertight Wiring Devices and Accessories

Application Guide



Food and Beverage Processing

Rated to withstand harsh, wet environments common to food and beverage processing facilities.



Outdoor Entertainment

Superior sealing and strain relief assure that power is delivered consistently when the show must go on.



Construction

Outdoor electrical power is subject to rain, snow, ice, etc. The tongue and groove seal maximizes integrity against the elements.



Agriculture

Mud, standing water and general abuse are no match for the rugged engineered thermoplastic materials.



Water Treatment

Elastomeric construction and stainless steel components withstand the most abusive environments.



Municipal

Useful for keeping mobile battery operated equipment at full charge so its available for use when needed.



Factory

Ideal for delivering power to all types of industrial machinery and equipment in the factory environment.



Temporary Power

Ideal for use with generators and temporary service. Meets or exceeds all NEC® requirements.

NEC® is a registered trademark of National Fire Protection Association

Watertight Wiring Devices and Accessories

Quick Reference Guide

Watertight Straight Blade Devices

NEMA 4, 4X, 6 and 6P Rated
IP65, IP66, IP67

Amps	Volts	Nema	Plug		Connector with Cap		Receptacle w/Lift Cover	Listings	
			Yellow	Black*	Yellow	Black*		UL	SR
15A	125V	5-15	14W47H	14W47HBK	15W47H	15W47HBK	60W47H	✓	✓
	250V	6-15	14W49H		15W49H		60W49H	✓	✓
	15A/125V, 10A/250V	Non-NEMA	14W07H		15W07H				✓
20A	125V	5-20	14W33H				60W33H	✓	✓
	250V	6-20	14W48H		15W33H		60W48H	✓	✓
					15W48H			✓	✓

* Other configurations available in black. Consult Factory.



14W33H



15W47H



24W49H



29W76H



69W76H



6700H



3059H



3090FH

Watertight Locking Devices

NEMA 4, 4X, 6 and 6P Rated
IP65, IP66, IP67

Amps	Volts	Nema	Plug		Connector with Cap		Receptacle w/Lift Cover	Listings	
			Yellow	Black*	Yellow	Black*		UL	SR
15A	125V	L5-15	24W47H		25W47H		65W47H	✓	✓
	250V	L6-15	24W49H		25W49H		65W49H	✓	✓
	277VAC	L7-15	24W34H		25W34H		65W34H	✓	✓
20A	125V	L5-20	26W47H		27W47H		67W47H	✓	✓
	250V	L6-20	26W48H		27W48H		67W48H	✓	✓
	277VAC	L7-20	26W49H		27W49H		67W49H	✓	✓
	125/250V	L14-20	26W74H		27W74H		67W74H	✓	✓
	3Ø 250V	L15-20	26W75H	26W75HBK	27W75H	27W75HBK	67W75H	✓	✓
	3Ø 480V	L16-20	26W76H	26W76HBK	27W76H	27W76HBK	67W76H	✓	✓
30A	125/250V	Non-NEMA	26W08H		27W08H		67W08H	✓	✓
	125V	L5-30	28W47H		29W47H		69W47H	✓	✓
	250V	L6-30	28W48H		29W48H		69W48H	✓	✓
	277VAC	L7-30	28W49H		29W49H		69W49H	✓	✓
	125/250V	L14-30	28W74H		29W74H		69W74H	✓	✓
	3Ø 250V	L15-30	28W75H		29W75H		69W75H	✓	✓
	3Ø 480V	L16-30	28W76H		29W76H		69W76H	✓	✓
	3Ø 600V	L17-30	28W77H		29W77H		69W77H	✓	✓
	3ØY 120/208V	L18-30	28W78H		29W78H			✓	✓
	125/250V	Non-NEMA	28W08H		29W08H		69W08H	✓	✓
	3ØY 120/208V	Non-NEMA	28W09H		29W09H			✓	✓

* Other configurations available in black. Consult Factory.

Weather Protective Lift Cover Assembly

NEMA 3R Rated

Description	Catalog Number	Listings
For use with 15A/20A straight blade or 15A locking receptacle; receptacle not included	6500H	UL ✓
For use with 20A locking receptacle; receptacle not included	6700H	UL ✓
For use with 30A locking receptacle**; receptacle not included	6800H	UL ✓

** When mating with 28W08BRY plug, use 6700BRY.

Portable Outlet Boxes

NEMA Type 1 Rated

Description	Catalog Number
Portable Outlet Box	3059H
Portable Outlet Box Deep	3099H
Portable Outlet Box with Feed Thru	3090FH
Portable Outlet Box with (2) Duplex Cover Plates	3000H

Outlet Box Covers

NEMA Type 1 Rated

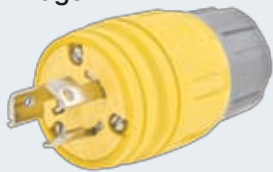
Description	Cover Plate	Cover Plate with Lift Cover
Outlet Box Lift Cover; Duplex Receptacle	3051H	3056H
Outlet Box Lift Cover; 1.39" Diameter Receptacle	3052H	3057H
Outlet Box Lift Cover; 1.572" Diameter Receptacle	3053H	3058H
Outlet Box Lift Cover; GFCI	3060H	3061H
Outlet Box Coverplate; Blank	3054H	—



Watertight Plugs and Connectors and Weather Protective Receptacles

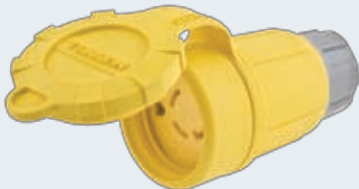
Straight Blade and Twist-Lock® Devices

Plugs



- Resists chemicals
- Exclusive triple by-pass sealing system
- Corrosion-resistant nickel plated blades and stainless steel captive assembly screws
- NEMA 4, 4X, 6 and 6P Rated
- IP65, IP66, IP67

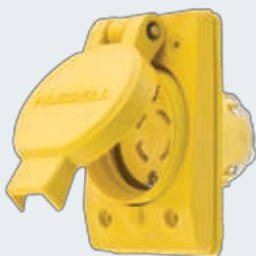
Connectors



- Double insulated elastomeric cover and thermoplastic body for extra safety and water resistance
- Ergonomic industrial grip
- Easy-clean body styling
- Closure cap seals out water and dirt when not in use
- NEMA 4, 4X, 6 and 6P Rated
- IP65, IP66, IP67



Receptacles with Weather Protective Lift Cover



- Impact resistant PBT housing with stainless steel hardware
- Weather resistant elastomeric seal
- Large wiring chambers for easy termination
- Mounts to FS and FD boxes



Straight Blade Devices	NEMA Rating	Color Coded by Voltage	Poles/ Wires	Plug	Connector	Receptacle	NEMA Rating	Color Coded by Voltage	Poles/ Wires	Plug	Connector	Receptacle		
	15A 125V		5-15	2P/3W	14W47H*	15W47H*	60W47H	20A 125V		5-20	2P/3W	14W33H	15W33H	60W33H
	15A 250V		6-15	2P/3W	14W49H	15W49H	60W49H	20A 250V		6-20	2P/3W	14W48H	15W48H	60W48H
	15A/125V, 10A/250V		Non- NEMA	2P/3W	14W07H	15W07H	—							

Locking Devices	NEMA Rating	Color Coded by Voltage	Poles/ Wires	Plug	Connector	Receptacle	NEMA Rating	Color Coded by Voltage	Poles/ Wires	Plug	Connector	Receptacle		
	15A 125V		L5-15	2P/3W	24W47H	25W47H	65W47H	30A 125V		L5-30	2P/3W	28W47H	29W47H	69W47H
	15A 250V		L6-15	2P/3W	24W49H	25W49H	65W49H	30A 250V		L6-30	2P/3W	28W48H	29W48H	69W48H
	15A 277V AC		L7-15	2P/3W	24W34H	25W34H	65W34H	30A 277V AC		L7-30	2P/3W	28W49H	29W49H	69W49H
	20A 125V		L5-20	2P/3W	26W47H	27W47H	67W47H	30A 125/250V AC		L14-30	3P/4W	28W74H	29W74H	69W74H
	20A 250V		L6-20	2P/3W	26W48H	27W48H	67W48H	30A 3Ø 250V AC		L15-30	3P/4W	28W75H	29W75H	69W75H
	20A 277V AC		L7-20	2P/3W	26W49H	27W49H	67W49H	30A 3Ø 480V AC		L16-30	3P/4W	28W76H	29W76H	69W76H
	20A 125/250V		L14-20	3P/4W	26W74H	27W74H	67W74H	30A 3Ø 600V AC		L17-30	3P/4W	28W77H	29W77H	69W77H
	20A 3Ø 250V		L15-20	3P/4W	26W75H*	27W75H*	67W75H	30A 3ØY 120/208V AC		L18-30	4P/4W	28W78H	29W78H	—
	20A 3Ø 480V		L16-20	3P/4W	26W76H*	27W76H*	67W76H	30A 125/250V		Non-NEMA	3P/3W	28W08H	29W08H	69W08H
	20A 125/250V		Non-NEMA	3P/3W	26W08H	27W08H	67W08H	30A 3ØY 120/208V AC		Non-NEMA	4P/4W	28W09H	29W09H	—

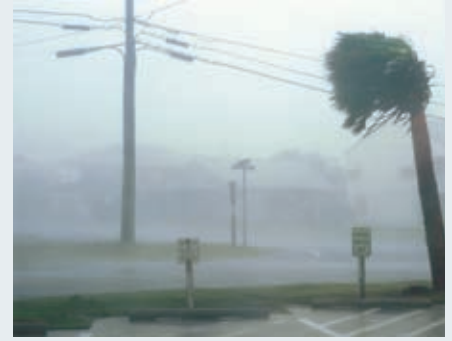
* Available in black. Add BK after H to order.

Portable Outlet Boxes and Covers

Weather Protective Covers



- Creates a weather protective seal for standard single receptacles
- Weather resistant elastomeric seal
- Impact resistant housing and stainless steel hardware
- Mounts to FS and FD boxes



Portable Outlet Box



- Large internal cavity for easy wiring of two duplex receptacles (not included)
- Self closing flip seals provide protection against moisture when closed
- Compression neoprene bushings seal out moisture
- Impact resistant TPE housing



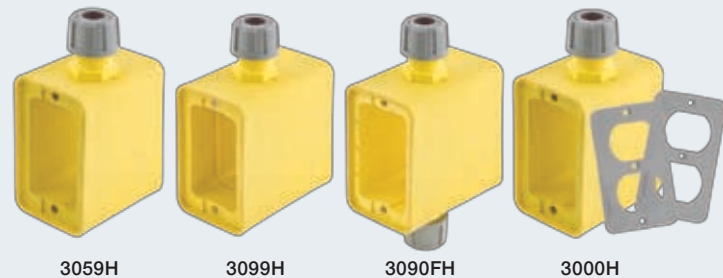
NEMA Type 3R Weather Protective Lift Covers

Description	Catalog Number
Lift cover assembly; for use with 15A or 20A straight blade receptacles and 15A locking receptacle; receptacle not included	6500H
Lift cover assembly; for use with locking 20A receptacles; receptacle not included	6700H
Lift cover assembly; for use with locking 30A receptacles*; receptacle not included	6800H

*When mating with 28W08H plug, use 6700H.

NEMA Type 1 Portable Outlet Box

Description	Catalog Number
Portable outlet box	3059H
Portable outlet box; deep	3099H
Portable outlet box with feed thru	3090FH
Portable outlet box with (2) duplex cover plates	3000H



NEMA Type 1 Portable Outlet Box Covers

Description	Catalog Number
Outlet box lift cover, duplex receptacle	3056H
Outlet box cover, duplex receptacle	3051H
Outlet box lift cover, 1.39" diameter receptacle	3057H
Outlet box cover, 1.39" diameter receptacle	3052H
Outlet box lift cover, 1.572" diameter receptacle	3058H
Outlet box cover, 1.572" diameter receptacle	3053H
Outlet box lift cover; GFCI	3061H
Outlet box cover; GFCI	3060H
Outlet box coverplate, blank	3054H



Watertight Wiring Devices and Accessories

Specifications

Materials

Plug/Connector

Part	Materials
Blade/Contact Carrier	PBT Thermoplastic, yellow
Terminal Retainer	Polycarbonate, clear
Housing	Thermoplastic Elastomer, yellow
Housing Insert	Polypropylene, natural
Strain Relief Nut	PBT Thermoplastic, gray
Grommet	Thermoplastic Elastomer, various colors
Ferrule	Polypropylene, natural
Blades/Contacts	Brass, nickel
Terminal Screws	Steel, chromate
Terminal Screw Size	#8-32
Body Holding Screws	Stainless steel
Drive Screws	Steel, chromate

Flip Lid Assembly (see connector for device materials)

Part	Materials
Flip lid and cover plate	PBT Thermoplastic, yellow
Sealing Collar	Thermoplastic elastomer, yellow
Mounting Plate	Stainless steel
Spring	Stainless steel
Hinge Pin	Stainless steel
Mounting Screws	Stainless steel

Portable Outlet box and Accessories

Part	Materials
Box Enclosure	Thermoplastic Elastomer, yellow
Strain Relief Nut	PBT Thermoplastic, gray
Grommet	Thermoplastic Elastomer, various colors
Ferrule	Polypropylene, natural
Strain relief insert	Nylon, yellow
Locknut	Steel, zinc plate
Threaded inserts	Polypropylene, natural
Strain relief wire	Brass
Duplex receptacle screw	Stainless steel
Cover plate screws	Steel, black oxide
Cover Plate	Nylon, gray
Flip covers	PBT Thermoplastic, yellow
Flip cover seal	Foam rubber, black
Cover plate Spring	Stainless steel
Hinge Pin	Aluminum
Hinge bracket	Stainless steel
Rivets	Brass

Listings (Plug/Connector and Flip Lid Assembly)

Listed to UL498 and CSA C22.2 No. 42.

Certified to CSA C22.2 No. 42.

Meets or exceed NEMA WD-1, WD-6 & ANSI standards

Performance

Electrical

Dielectric Voltage

Connectors:	2000VAC if rated 300V or less 3000VAC if rated above 300V
Plugs:	2500VAC if rated 300V or less 3500VAC if rated above 300V

Max Working Voltage

As marked

Current Interrupting

Rated for current interruption per UL498

Temperature Rise

30°C max per UL498 at rated current

Mechanical

Cord and terminal accommodations:

Plugs and Connectors

15A and 20A straight blade and 15A locking Types S, SO, ST, SJ, SJO, SJT 18/3 to 12/3, .300 min. to .625 in. max (7.6 to 15.9 mm) dia.

20A & 30A 3-Wire locking 12/3 SJ, 14/3 S to 10/3 S (.475" to .720") (12.1 mm to 19.2 mm)

20A 4-Wire locking 14/4 S to 10/4 S (.560" to .775") (14.2 mm to 19.9 mm)

30A 4-Wire locking 12/4 S to 8/4 S, 6/4 MSHA (.640" to .930") (16.3 mm to 23.6 mm)

Receptacles – use solid or stranded building wire or flexible cord only as outlined below:

All 15A and 20A straight blade 18 AWG to 12 AWG

20A locking and 30A 3-wire 14 AWG to 10 AWG

30A 4-wire 12 AWG to 6 AWG

Portable Outlet Boxes

All 16/3 SO through 12/3 SO cord

Wiring Volume Standard - 14.5 cu. in.

Deep - 17 cu. in.

Terminal Identification

Ground-Green, Neutral-Silver/White, Hot(s)-brass

Environmental

Moisture Resistance NEMA 4, 4X, 12, 6, 6P

(Plug and Connector Only)

NEMA 3R (Flip lid assemblies)

NEMA TYPE 1 (Portable Outlet Box)

Flammability

UL94V0 (boxes and wiring device interiors)

UL94V2 (cover plates)

UL94HB (wiring device housings, flip lid seals)

Operating temperatures

-40°C (without impact) to +60°C continuous.

UV resistance

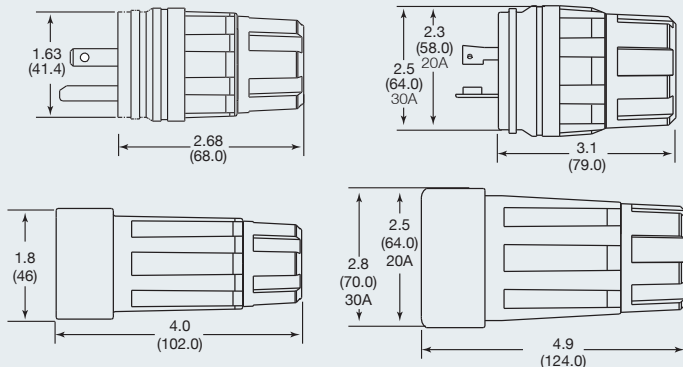
All exposed materials are UV stabilized

Product Dimensions Inches (mm)

Watertight Plugs and Connectors

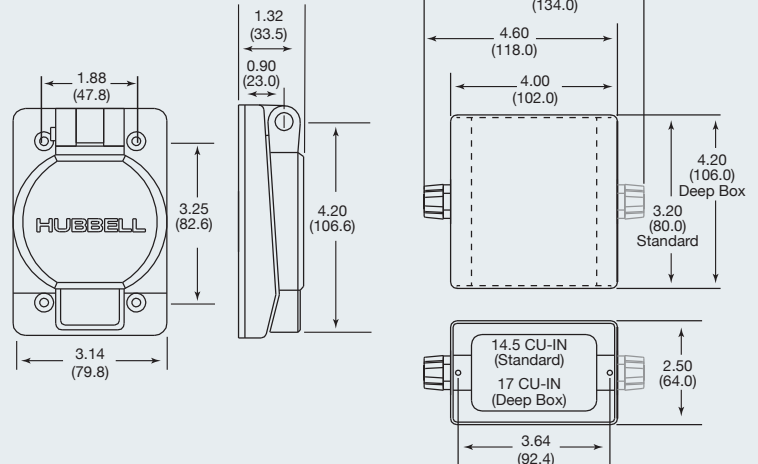
Straight Blade and 15A Locking

Locking



Receptacles with Lift Cover and Cover Assemblies

Portable Outlet Boxes



Watertight Wiring Devices and Accessories

Cross Reference Guide

HUBBELL	WOODHEAD	LEVITON	COOPER	P&S	ERICSON
14W07H	14W07	—	—	—	1507-PW6P
14W33H	14W33	14W33	14W33	14W33	1512-PW6P
14W47H	14W47	14W47	14W47	14W47	1510-PW6P
14W47HBK	14W47-BLK	14W47-B	—	—	—
14W48H	14W48	14W48	14W48	14W48	1516-PW6P
14W49H	14W49	14W49	14W49	14W49	1514-PW6P
15W07H	15W07	—	—	—	1607-PW6P
15W33H	15W33	15W33	15W33	15W33	1612-CW6P
15W47H	15W47	15W47	15W47	15W47	1610-CW6P
15W47HBK	15W47-BLK	15W47-B	—	—	—
15W48H	15W48	15W48	15W48	15W48	1616-CW6P
15W49H	14W49	15W49	15W49	15W49	1614-CW6P
24W34H	24W34	24W34	24W34	24W34	1524-PW6P
24W47H	24W47	24W47	24W47	24W47	1520-PW6P
24W49H	24W49	24W49	24W49	—	1522-PW6P
25W34H	25W34	25W34	25W34	25W34	1624-CW6P
25W47H	25W47	25W47	25W47	25W47	1620-CW6P
25W49H	25W49	25W49	25W49	—	1622-PW6P
26W08H	26W08	26W08	AH9965PW	—	2316-PW6P
26W47H	26W47	26W47	L520PW	—	2310-PW6P
26W48H	26W48	26W48	L620PW	—	2312-PW6P
26W49H	26W49	26W49	L720PW	—	2314-PW6P
26W74H	26W74	26W74	L1420PW	—	2320-PW6P
26W75H	26W75	26W75	L1520PW	—	2322-PW6P
26W75HBK	—	—	—	—	—
26W76H	26W76	26W76	L1620PW	—	2324-PW6P
26W76HBK	—	—	—	—	—
—	26W81	26W81	L2120PW	—	—
—	26W82	26W82	L2220PW	—	—
—	26W83	26W83	L2320PW	—	—
27W08H	27W08	27W08	AH7314CW	—	2416-CW6P
27W47H	27W47	27W47	L520CW	—	2410-CW6P
27W48H	27W48	27W48	L620CW	—	2412-CW6P
27W49H	27W49	27W49	L720CW	—	2414-CW6P
27W74H	27W74	27W74	L1420CW	—	2420-CW6P
27W75H	27W75	27W75	L1520CW	—	2422-CW6P
27W75HBK	—	—	—	—	—
27W76H	27W76	27W76	L1620CW	—	2424-CW6P
27W76HBK	—	—	—	—	—
—	27W81	27W81	L2120CW	—	—
—	27W82	27W82	L2220CW	—	—
—	27W83	27W83	L2320CW	—	—
28W08H	28W08	28W08	AH3331PW	—	2516-PW6P
28W09H	28W09	28W09	AH3431PW	—	2528-PW6P
28W47H	28W47	28W47	L530PW	—	2510-PW6P
28W48H	28W48	28W48	L630PW	—	2512-PW6P
28W49H	28W49	28W49	L730PW	—	2514-PW6P
28W74H	28W74	28W74	L1430PW	—	2520-PW6P
28W75H	28W75	28W75	L1530PW	—	2522-PW6P
28W76H	28W76	28W76	L1630PW	—	2524-PW6P
28W77H	28W77	28W77	L1730PW	—	2526-PW6P
28W78H	28W78	—	—	—	2530-PW6P
—	28W81	28W81	L2130PW	—	—
—	28W82	28W82	L2230PW	—	—

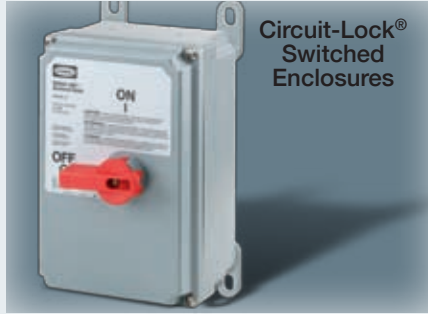
HUBBELL	WOODHEAD	LEVITON	COOPER	P&S	ERICSON
—	28W83	28W83	L2330PW	—	—
29W08H	29W08	29W08	AH3333CW	—	2616-CW6P
29W09H	29W09	29W09	AH3433CW	—	2628-CW6P
29W47H	29W47	29W47	L530CW	—	2610-CW6P
29W48H	29W48	29W48	L630CW	—	2612-CW6P
29W49H	29W49	29W49	L730CW	—	2614-CW6P
29W74H	29W74	29W74	L1430CW	—	2620-CW6P
29W75H	29W75	29W75	L1530CW	—	2622-PW6P
29W76H	29W76	29W76	L1630CW	—	2624-PW6P
29W77H	29W77	29W77	L1730CW	—	2626-CW6P
29W78H	29W77	—	—	—	2630CW6P
—	29W81	29W81	L2130CW	—	—
—	29W82	29W82	L2230CW	—	—
—	29W83	29W83	L2330CW	—	—
6500H	6500	60W03	WLRS-1	—	2700FS
6700H	6700	60W04	WLRS-2	—	2800FS
6800H	6900	60W05	—	—	2900FS
60W33H	60W33	60W33	—	—	2715-FS12
60W47H	60W47	60W47	—	—	2715-FS10
60W48H	60W48	60W48	—	—	2715-FS16
60W49H	60W49	60W49	—	—	2715-FS14
65W34H	65W34	65W34	—	—	2715-FS24
64W47H	64W47	65W47	—	—	2715-FS20
65W49H	65W49	65W49	—	—	2715-FS22
67W08H	67W08	67W08	—	—	2820-FS16
67W47H	67W47	67W47	—	—	2820-FS10
67W48H	67W48	67W48	—	—	2820-FS12
67W49H	67W49	67W49	—	—	2820-FS14
67W74H	67W74	67W74	—	—	2920-FS20
67W75H	67W75	67W75	—	—	2920-FS22
67W76H	67W76	67W76	—	—	2820-FS24
—	67W81	67W81	—	—	—
—	67W82	67W82	—	—	—
—	67W83	67W83	—	—	—
69W08H	69W08	69W08	—	—	2830-FS16
69W47H	69W47	69W47	—	—	2830-FS10
69W48H	69W48	69W48	—	—	2830-FS12
69W49H	69W49	69W49	—	—	2830-FS14
69W74H	69W74	69W74	—	—	2930-FS20
69W75H	69W75	69W75	—	—	2930-FS22
69W76H	69W76	69W76	—	—	2930-FS24
69W77H	69W77	69W77	—	—	2930-FS26
—	69W81	69W81	—	—	—
—	69W82	69W82	—	—	—
—	69W83	69W83	—	—	—
3099H	3099	3099-1Y	WD3099	—	6129
3059H	3059	3059-1Y	WD3059	—	6130
3090FH	3090F	3059F-1Y	WD3090F	—	6130-F
3056H	3056	3056-Y	WD3060	—	6131
3057H	3057	3057-Y	—	—	6132
3058H	3058	3058-Y	—	—	6133
3054H	3054	3054-Y	WD3061	—	6034
3061H	3061	3061-Y	WD3056	—	6135Y

Also available from Hubbell...



IEC Watertight Pin & Sleeve

Available in 20A to 100A, the one piece nylon housing provides maximum impact resistance. Ideal for washdown and outdoor environments.



Circuit-Lock® Switched Enclosures

NEMA 4X fused and unfused disconnect switches are used primarily for disconnecting motor loads in wash down and corrosive applications.



LINKOSITY®

Power distribution components up to 30A provide maximum flexibility to make moves adds and changes. All connections are UL Type 4X.



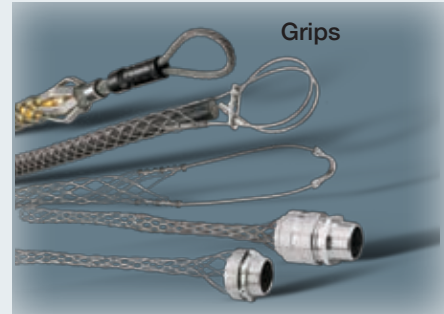
Panel-Safe™

Control cabinet power and data access ports. Eliminates the need to open the cabinet door. Stainless steel/NEMA 4X enclosures. Configure any type of data connector.



Pendant Stations

Hubbell offers user ready 2, 4, 6, and 8 button single and 2- speed full size and compact pendant stations for use on cranes and hoists in NEMA Type 3R and 4X environments.



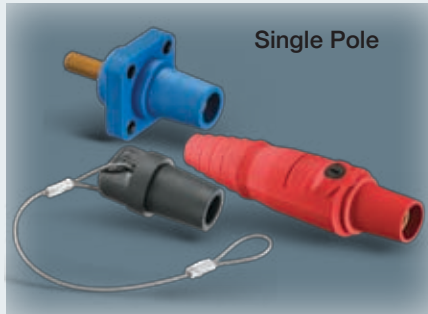
Grips

Kellems® Grips solve most wire and cable management problems. Available styles include Strain Relief, Pulling, Support and Fiber Optic.



Cord Reels

Retractable cable management reduces trip hazards. Watertight enclosures available to protect reel components from hosedown and corrosion.



Single Pole

300A and 400A plugs, connectors, receptacles and accessories provide a UL Type 4X connection for temporary power applications.



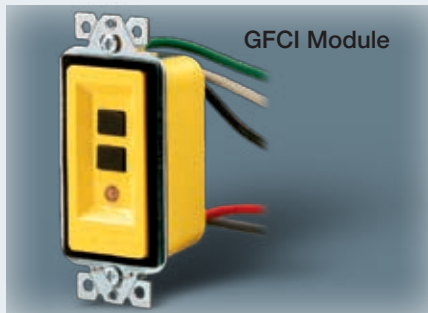
Spider Box

Temporary power distribution boxes extend power from building service or portable generators. Design to withstand abusive environments. UL Type 3R.



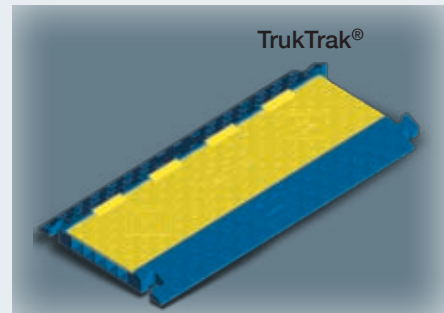
GFCI Line Cords

Portable GFCI line cords provide ground fault protection for both indoors and out. Available in either manual or auto set with lengths of 18", 6' and 25' available.



GFCI Module

The 20A GFCI module can be panel or box mounted for protection of downstream wired receptacles or equipment. The GFM20 features a high impact, UV resistant Type 3R housing with manual set.



TrukTrak®

Non-metallic modular cable protectors safeguard electrical cables and cords from vehicle and pedestrian traffic. TrukTrak® is ideal for industrial environments using heavy trucks and fork lifts.