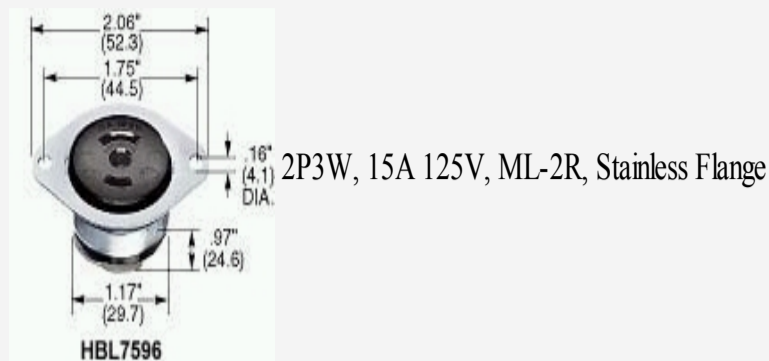

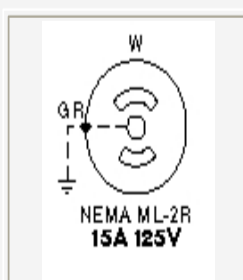


# HBL7596 -- Twist-Lock Flanged Receptacle



## Product Specifications

<b>Product Type</b>	 <p>Twist-Lock Devices</p>
<b>Product Item</b>	Flanged Receptacle
<b>Wiring Scheme</b>	2-Pole, 3-Wire Grounding
<b>Amperage</b>	15A
<b>Voltage</b>	125V AC
<b>NEMA Configuration</b>	ML-2R
<b>Item Style</b>	Standard
<b>Device Color</b>	Black/Stainless
<b>Terminal Screw Material</b>	#5-40 Brass
<b>Ground Screw Material</b>	Brass (green finish)
<b>Contact Spring Material</b>	.032" (.8) Bronze
<b>Flanged Casing Material</b>	.025" Stainless Steel
<b>Mounting Screw Material</b>	Nickel-plated Brass Round head screws
<b>Ground Contact Material</b>	.032" Bronze
<b>Ratings</b>	Molded In or Stamped On
<b>Catalog No</b>	Permanently ink marked on product
<b>Dielectric Voltage Withstand</b>	2,000V minimum
<b>Current Interrupting</b>	Certified for current interrupting at full rated current
<b>Temperature Rise</b>	Max 30C temperature rise at full rated current after 50 cycles of overload at 150% of rated current at a power factor of .75.
<b>Terminal Accommodation</b>	15A #14 AWG
<b>Terminal Identification</b>	Terminals identified in accordance with UL 498 (X, Y, Z, White, Green)
<b>Flammability</b>	UL 94 VO for Receptacles and Inlets. HB or better for Plugs and Connectors.
<b>Operating Temperatures</b>	Maximum Continuous 75 C Minimum -40 C (w/o impact)
<b>Listings</b>	UL/CSA
<b>UPC Number</b>	783585237817
<b>Weight in LBs</b>	0.05
<b>Link to Drawing Library</b>	<a href="#">Click here for Library</a>
<b>Link to PDF Catalog</b>	<a href="#">Click here for Catalog</a>



NEMA Configuration

