

# HBLDS6 -- Switched Enclosure

Adjustable mounting feet.


Stainless steel hardware for corrosion resistance.

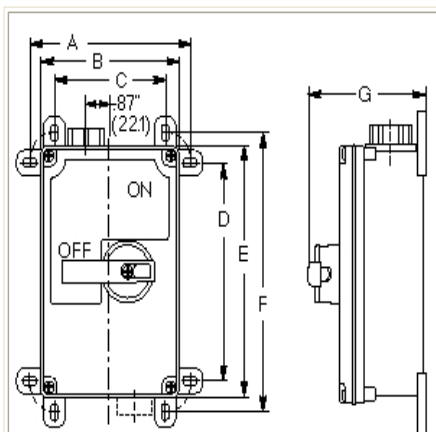
Lockable handle to meet OSHA Lockout Tagout regulations.



Nonmetallic enclosure – nonconducting. Internal frame automatically bonds all grounds. 60A Circuit-Lock disconnect switch.

## Product Specifications

<p><b>Product Type</b></p>	 <p><b>Switched Enclosures</b></p>
<p><b>Switch Type</b></p>	<p>Three Pole Unfused</p>
<p><b>Amperage</b></p>	<p>60A</p>
<p><b>Voltage</b></p>	<p>600V AC</p>
<p><b>Operating Temperatures</b></p>	<p>Max Continuous- 75 Degrees C, Minimum- -40 Without Impact</p>
<p><b>Listing and Certifications</b></p>	<p>UL Listed and CSA Certified</p>
<p><b>Weight in LBs</b></p>	<p>5.5</p>
<p><b>UPC Number</b></p>	<p>783585430706</p>
<p><b>Link to Drawing Library</b></p>	<p><a href="#">Click here for Library</a></p>
<p><b>Link to PDF Catalog</b></p>	<p><a href="#">Click here for Catalog</a></p>



Dimensional Diagram