

Twist-Lock® Devices

**50 Ampere, 250 Volts DC and 600 Volts AC**

3 Pole, 4 Wire Grounding

**Plugs, Flanged Inlets, Connector Bodies and Receptacles**

**UL** Important Note: Catalog numbers HBL7379, HBL7764C, HBL7765C, HBL7958, HBL7968 are for replacement use only. See other singly rated 50A Twist-Lock® devices in this section. HBL3700 series Twist-Lock devices do not interchange with any other devices in this section.

**SP**



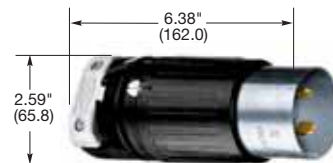
**Plugs**

| Description                                    | Cord Dia.                    | Catalog Numbers |                 |
|--|------------------------------|-----------------|-----------------|
| Nylon cover, thermoplastic polyester interior. | .920"-1.20"<br>(23.68-30.48) | <b>HBL3765C</b> | <b>HBL7765C</b> |

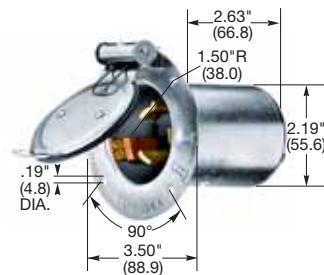
Accessories on page B-60.

**Flanged Inlets**

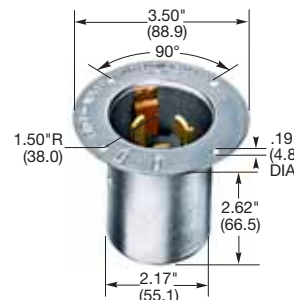
| Description                                   | Catalog Numbers               |
|---|-------------------------------|
| Zinc plated steel casing, with lift cover.    | <b>HBL3768</b> <b>HBL7968</b> |
| Zinc plated steel casing, without lift cover. | <b>HBL3775</b> <b>HBL7958</b> |



**HBL3765C**



**HBL3768**



**HBL3775**

**Connector Bodies**

| Description                                    | Catalog Numbers                 |
|--|---------------------------------|
| Nylon cover, thermoplastic polyester interior. | <b>HBL3764C</b> <b>HBL7764C</b> |

Accessories on page B-60.

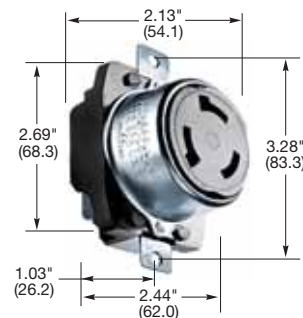
**Receptacles**

| Description     | Catalog Numbers               |
|-----------------|-------------------------------|
| Black melamine. | <b>HBL3769</b> <b>HBL7379</b> |

Accessories on page B-60.



**HBL3764C**



**HBL3769**