

Twist-Lock® Devices
30 Ampere, 3Ø 480 and 3Ø 600 Volts AC
 3 Pole, 4 Wire Grounding
Insulgrip® Connector Bodies and Receptacles



Connector Bodies

Watertight Safety-Shroud®		IP66 SUITABILITY	
Description	Cord Dia.	Catalog Numbers	
Black Valox® housing, white Valox® clamps.	.35"-1.15" (9-29)	HBL2733SW	HBL2743SW
Insulgrip		IP20 SUITABILITY	
Description	Cord Dia.	Catalog Numbers	
Black and white nylon.	.35"-1.15" (9-29)	HBL2733	HBL2743
Corrosion resistant, yellow nylon.	.35"-1.15" (9-29)	HBL27CM33	HBL27CM43

Accessories on page B-53.



HBL2733SW

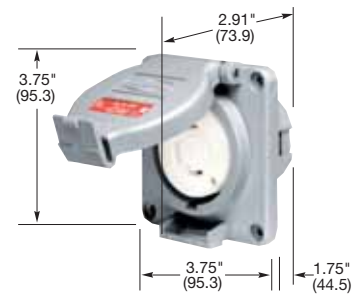


HBL2733

Receptacles

Watertight Safety-Shroud, Back Wired		IP66 SUITABILITY	
Description		Catalog Numbers	
Gray Valox® housing and flange.		HBL2730SW	HBL2740SW
Safety-Shroud Twist-Lock, Back Wired		IP20 SUITABILITY	
Description		Catalog Numbers	
Gray Valox® angle housing, one gang.		HBL2730AR	HBL2740AR
Gray Valox® surface mounting, one gang.		HBL2730SR	HBL2740SR
Gray Valox® semi-flush, two gang.		HBL2730SR2	HBL2740SR2

Accessories on page B-54.



HBL2730SW

Single Flush, Back and Side Wired		IP20 SUITABILITY	
Description		Catalog Numbers	
Black nylon face.		HBL2730	HBL2740

Accessories on page B-52.



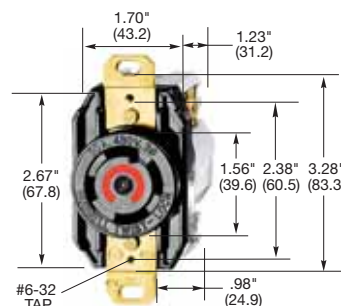
HBL2730AR

Insulgrip Flanged Receptacles		Catalog Numbers	
Description		Catalog Numbers	
Nylon casing, back wired.		HBL2736	HBL2746

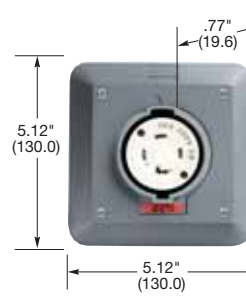
Accessories on page B-52.



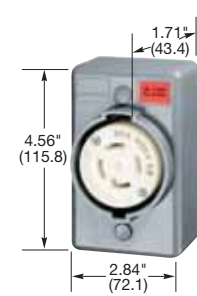
HBL2736



HBL2730



HBL2730SR2



HBL2730SR

Valox® is a trademark of SABIC Innovative Plastics, acquired from General Electric Company.

