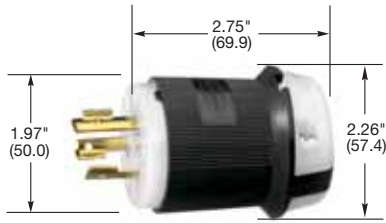


Twist-Lock® Devices

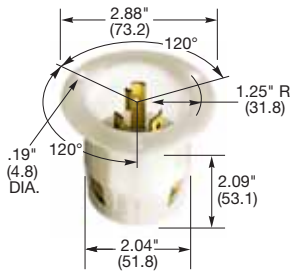
20 Ampere, 347, 480 and 600 Volts AC

2 Pole, 3 Wire Grounding

Insulgrip® Plugs, Flanged Inlets, Connector Bodies and Receptacles



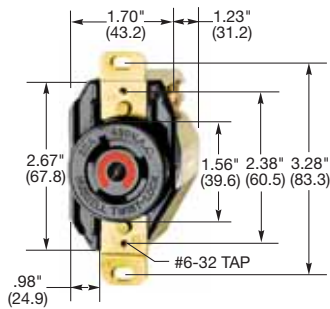
HBL2341



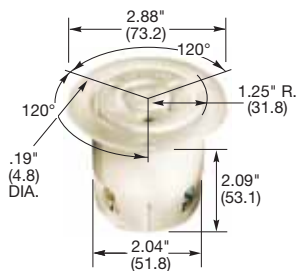
HBL2345



HBL2343



HBL2340



HBL2346

IP20
SUITABILITY



20A 347V AC
NEMA L24-20P
UL/CSA



20A 480V AC
NEMA L8-20P
UL/CSA
3 HP



20A 600V AC
NEMA L9-20P
UL/CSA

Plugs

Description	Cord Dia.	Catalog Numbers		
Black and white nylon.	.360"-.930" (9-24)	HBL3721	HBL2341	HBL2351

Accessories on page B-51.

Flanged Inlets

Description	Catalog Numbers		
Nylon casing, back wired.	HBL3725	HBL2345	HBL2355

Accessories on page B-50.

IP20
SUITABILITY



20A 347V AC
NEMA L24-20R
UL/CSA



20A 480V AC
NEMA L8-20R
UL/CSA
3 HP



20A 600V AC
NEMA L9-20R
UL/CSA

Connector Bodies

Description	Cord Dia.	Catalog Numbers		
Black and white nylon.	.360"-.930" (9-24)	HBL3723	HBL2343	HBL2353

Accessories on page B-51.

Single Flush Receptacles, Back and Side Wired

Description	Catalog Numbers		
Black nylon face.	HBL3720	HBL2340	HBL2350
Isolated ground, orange nylon face.	-	IG2340	-

Accessories on page B-50.

Flanged Receptacles

Description	Catalog Numbers		
Nylon casing, back wired.	HBL3726	HBL2346	HBL2356

Accessories on page B-50.

Notes: Only receptacles and plugs up to 480V AC are HP rated.

For technical information see page B-69.

See page B-37 for switched enclosure.

See page B-40 for Add-A-Shroud™ kit. For use with connector bodies.

HP ratings are AC only.