

Low Profile Cord Connectors

Straight Male N.P.T. , PG, and Metric Thread

Easy to Install,
Full Range of Sizes,
Dependable.



Complete Offering

Hubbell Low Profile Cord Connectors are available in a variety of thread styles and hub sizes. N.P.T. sizes are available from 3/8" - 1". The PG series is available in thread sizes ranging from PG7 to PG21. Metric threads are now available from M12 to M40. All connectors are available in both black and gray color. Locknuts are also available for every thread style.

OEM Value

Low profile cord connectors are smaller in size, provide excellent pullout strength and can be installed without disassembly. When labor and material savings are critical these products allow top performance within budgetary limitations. OEM packs are also available for all standard items. These items eliminate having to contend with individual packages and product labels. Simply pull from a bulk container and start installing. All cord connectors are provided without locknuts. For end users assembling into threaded hubs, there's no need to disassemble the nut. Locknuts can be purchased separately in bulk packages.



Quality Construction

The all nylon construction and Buna N gland resists salt water, weak acids, gasoline, alcohol, oil, grease and common solvents. Acme threads on the body prevent skipping and speeds installation. Ratchet feature prevents unintentional loosening of the compression nut. Products are suitable for NEMA Type 4 and 6 enclosures.



IP66
SUITABILITY



Wiring Device-Kellems

www.hubbell-wiring.com

Low Profile Cord Connectors

HUBBELL

Straight Male N.P.T. , PG, and Metric Thread



IP66
SUITABILITY

Low Profile N.P.T. Cord Connectors

N.P.T. Hub Size	Cord Dia. Inches	(mm)	Color	Catalog Number
3/8"	.18" - .31"	(4.6 - 7.9)	Gray	SEC38GA*
3/8"	.18" - .31"	(4.6 - 7.9)	Black	SEC38BA*
1/2"	.17" - .45"	(4.3 - 11.4)	Gray	SEC50GA
1/2"	.17" - .45"	(4.3 - 11.4)	Black	SEC50BA
3/4"	.45" - .71"	(11.4 - 18.0)	Gray	SEC75GA
3/4"	.45" - .71"	(11.4 - 18.0)	Black	SEC75BA
1"	.59" - 1.00"	(15 - 25.4)	Gray	SEC100GA
1"	.59" - 1.00"	(15 - 25.4)	Black	SEC100BA

Low Profile PG Cord Connectors

Hub Size	Cord Dia. Inches	(mm)	Color	Catalog Number
PG7	.11" - .25"	(2.9 - 6.4)	Gray	SECP7GA*
PG7	.11" - .25"	(2.9 - 6.4)	Black	SECP7BA*
PG9	.18" - .31"	(4.6 - 7.9)	Gray	SECP9GA*
PG9	.18" - .31"	(4.6 - 7.9)	Black	SECP9BA*
PG11	.23" - .40"	(5.8 - 10.0)	Gray	SECP11GA*
PG11	.23" - .40"	(5.8 - 10.0)	Black	SECP11BA*
PG13.5	.17" - .47"	(4.3 - 11.9)	Gray	SECP13GA
PG13.5	.17" - .47"	(4.3 - 11.9)	Black	SECP13BA
PG16	.23" - .53"	(5.8 - 13.5)	Gray	SECP16GA
PG16	.23" - .53"	(5.8 - 13.5)	Black	SECP16BA
PG21	.45" - .71"	(11.4 - 17.9)	Gray	SECP21GA
PG21	.45" - .71"	(11.4 - 17.9)	Black	SECP21BA
PG29	.59" - .99"	(15 - 25.2)	Gray	SECP29GA
PG29	.59" - .99"	(15 - 25.2)	Black	SECP29BA
PG36	.88" - 1.3"	(22.2 - 32.0)	Gray	SECP36GA
PG36	.88" - 1.3"	(22.2 - 32.0)	Black	SECP36BA

Low Profile Metric Cord Connectors

Hub Size	Cord Dia. Inches	(mm)	Color	Catalog Number
M12	.12" - .25"	(2.9 - 6.4)	Gray	SECM12G
M12	.12" - .25"	(2.9 - 6.4)	Black	SECM12B
M16	.11" - .31"	(2.7 - 7.9)	Gray	SECM16G
M16	.11" - .31"	(2.7 - 7.9)	Black	SECM16B
M20	.17" - .45"	(4.3 - 11.4)	Gray	SECM20G*
M20	.17" - .45"	(4.3 - 11.4)	Black	SECM20B*
M25	.49" - .71"	(12.3 - 18.0)	Gray	SECM25G*
M25	.49" - .71"	(12.3 - 18.0)	Black	SECM25B*
M32	.59" - 1.00"	(15.0 - 25.4)	Gray	SECM32G*
M32	.59" - 1.00"	(15.0 - 25.4)	Black	SECM32B*
M40	.87" - 1.3"	(22.0 - 32.0)	Gray	SECM40G*
M40	.87" - 1.3"	(22.0 - 32.0)	Black	SECM40B*

N.P.T. Non-metallic Locknuts

Hub Size	Color	Catalog Number
3/8"	Natural	31622002LPK50
1/2"	Natural	31622003LPK50
3/4"	Natural	31622007LPK50
1"	Natural	31622008LPK50

Notes: Catalog numbers with PK50 suffix are packed 50 per carton.

PG Non-metallic Locknuts

Hub Size	Color	Catalog Number
PG7	Black	LNP7BPK100
PG9	Black	LNP9BPK100
PG11	Black	LNP11BPK100
PG13.5	Black	LNP13BPK100
PG16	Black	LNP16BPK100
PG21	Black	LNP21BPK100
PG29	Black	LNP29BPK25
PG36	Black	LNP36BPK25

Notes: Catalog numbers with PK25 suffix are packed 25 per carton.
Catalog numbers with PK100 suffix are packed 100 per carton.

Low Profile Metric Locknuts

Hub Size	Color	Catalog Number
M12	Black	LNM12BPK100
M16	Black	LNM16BPK100
M20	Black	LNM20BPK100
M25	Black	LNM25BPK100
M32	Black	LNM32BPK100
M40	Black	LNM40BPK100

Notes: Catalog numbers with PK100 suffix are packed 100 per carton.

* UL recognized components.

Note: Consult factory for additional cord diameter and bulk packaging options.



Wiring Device-Kellems

www.hubbell-wiring.com

Low Profile Cord Connectors

HUBBELL

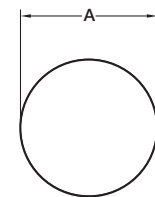
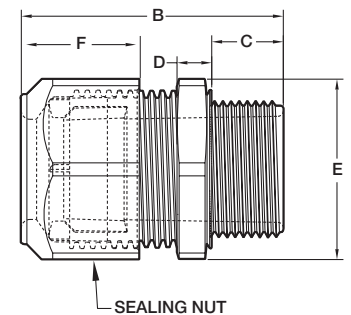
Straight Male N.P.T. , PG, and Metric Thread

N.P.T. , PG and Metric Thread Low Profile Connectors Specifications

Material:	6/6 Nylon
Gland:	Buna N
Cord Connectors are Halogen and Silicon free.	
Temperature Range:	-22F to 212F (-30C to 100C)
Protection Class:	IP66
Flammability Rating:	UL 94V-2
Listings/Certifications:	UL Listing File E41567, UL Recognition File E41567 CSA File LR27378C VDE Marks License #136681

Low Profile Non-Metallic N.P.T., PG and Metric Thread Connectors

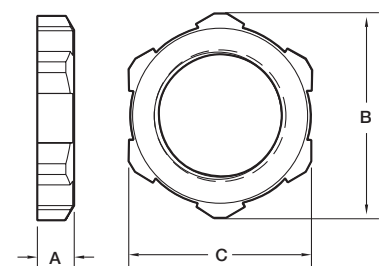
Nylon Hub Size	Inches (mm)		A	B	C	D	E	F				
3/8" NPT	0.670	(17.0)	1.41	(35.8)	0.48	(12.4)	0.21	(5.3)	0.83	(21.0)	0.55	(14.0)
1/2" NPT	0.875	(22.2)	1.70	(43.2)	0.61	(15.5)	0.21	(5.3)	0.88	(24.8)	0.66	(16.8)
3/4" NPT	1.068	(27.1)	2.00	(50.8)	0.62	(15.7)	0.25	(6.3)	1.30	(33.0)	0.85	(21.6)
1" NPT	1.375	(35.0)	2.41	(61.2)	0.76	(19.3)	0.30	(7.6)	1.73	(43.9)	1.05	(26.7)
PG7	0.492	(12.5)	1.16	(29.5)	0.32	(8.1)	0.21	(5.3)	0.63	(16.0)	0.48	(12.4)
PG9	0.599	(15.2)	1.25	(31.8)	0.32	(8.1)	0.21	(5.3)	0.83	(21.0)	0.55	(14.0)
PG11	0.733	(18.6)	1.48	(37.6)	0.38	(9.7)	0.21	(5.3)	0.94	(23.9)	0.70	(17.8)
PG13.5	0.804	(20.4)	1.53	(38.9)	0.41	(10.4)	0.21	(5.3)	0.98	(24.9)	0.66	(16.8)
PG16	0.886	(22.5)	1.68	(42.7)	0.44	(11.2)	0.25	(6.4)	1.06	(27.0)	0.76	(19.3)
PG21	1.15	(28.3)	1.89	(48.0)	0.52	(13.2)	0.25	(6.4)	1.30	(33.0)	0.85	(21.6)
PG29	1.47	(37.30)	2.23	(56.6)	0.58	(14.7)	0.30	(7.6)	1.73	(43.9)	1.05	(26.7)
PG36	1.85	(47.0)	2.39	(60.7)	0.47	(11.9)	0.31	(7.9)	2.05	(52.7)	1.19	(30.2)
M12	0.473	(12.0)	1.16	(29.5)	0.32	(8.1)	0.21	(5.3)	0.63	(16.0)	0.49	(12.4)
M16	0.63	(16.0)	1.25	(31.8)	0.32	(8.1)	0.21	(5.3)	0.83	(21.0)	0.55	(14.0)
M20	0.787	(20.0)	1.53	(38.9)	0.41	(10.4)	0.21	(5.3)	0.98	(24.9)	0.66	(16.8)
M25	0.985	(25.0)	1.89	(48.0)	0.52	(13.2)	0.25	(6.3)	1.3	(33.0)	0.85	(21.6)
M32	1.260	(32.0)	2.23	(56.6)	0.58	(14.7)	0.3	(7.6)	1.73	(43.9)	1.05	(26.7)
M40	1.575	(40.0)	2.39	(60.7)	0.48	(12.2)	0.3	(7.6)	2.05	(52.1)	1.19	(30.2)



Recommended Knockout Hole

Nylon PG Locknuts Inches (mm)

	A	B	C
PG7	0.22 (5.6)	0.80 (20.3)	0.75 (19.1)
PG9	0.22 (5.6)	0.91 (23.2)	0.86 (21.8)
PG11	0.22 (5.6)	1.03 (26.2)	0.94 (23.9)
PG13.5	0.24 (6.1)	1.14 (29.0)	1.06 (26.9)
PG16	0.25 (6.1)	1.30 (33.0)	1.18 (30.0)
PG21	0.25 (7.1)	1.54 (39.1)	1.41 (35.8)
PG29	0.25 (7.1)	2.00 (50.8)	1.81 (46.0)
PG36	0.25 (7.1)	2.50 (63.5)	2.24 (56.9)



Nylon Metric Locknuts Inches (mm)

	A	B	C
M12	0.22 (5.6)	0.82 (20.8)	0.75 (19.1)
M16	0.22 (5.6)	0.98 (25.0)	0.87 (22.1)
M20	0.25 (6.4)	1.18 (30.0)	1.06 (27.0)
M25	0.28 (7.1)	1.54 (39.1)	1.38 (35.1)
M32	0.28 (7.1)	1.80 (45.7)	1.61 (40.9)
M40	0.28 (7.1)	2.18 (55.4)	1.97 (50.0)



Wiring Device-Kellems