

# Section J Cable, Cord and Hose Reels



## Index

Product	Page
Weatherproof Reels .....	J-2
Industrial Power Cord Reels .....	J-3
Industrial and Commercial Lighted Cord Reels .....	J-4
Commercial Cord Reels .....	J-5
Air/Water Hose Reels and Static Discharge Reels .....	J-6

### Weatherproof Reels



### Industrial Reels



### Commercial Reels



### Air/Water Hose Reels and Static Discharge Reels





Multi-position roller guide can be mounted in four different positions

Ratchet lock can be disengaged in field for constant tension application

Powder coated, solid steel construction



UL Type 4X enclosure protects spring motor, junction box, slip ring assembly and cable entrance from hosedown or corrosion

Optional pivot base allows 340° rotation of reel and increases range of cable to nearly any direction

**HBL501242W  
with HBL16PB**

## Weatherproof Cable Reels, 50 Ft. (15.2m)

Description	Cable Type	Amps	Volts AC	Weight Lbs. (kg)	Catalog Number
14" weatherproof reel.	14/3 SOW-A	15	600	55 (24.9)	<b>HBL501431W*</b>
16" weatherproof reel.	12/3 SOW-A	20	600	80 (36.3)	<b>HBL501232W*</b>
16" weatherproof reel, (white reel housing).	12/3 SOW-A	20	600	80 (36.3)	<b>HBL501232WM1*</b>
16" weatherproof reel.	12/4 SOW-A	16	600	86 (39.0)	<b>HBL501242W*</b>
16" weatherproof reel.	10/3 SOW-A	25	600	86 (39.0)	<b>HBL501032W*</b>
16" weatherproof reel, (white reel housing).	10/3 SOW-A	25	600	86 (39.0)	<b>HBL501032WM1*</b>
16" weatherproof reel.	10/4 SOW-A	20	600	92 (41.7)	<b>HBL501042W*</b>

Note: \*All weatherproof cable reels are supplied with wire leads and 3/4" NPT hub feed. Power supply cable not supplied.



**HBL501242W  
with HBL16PB**



**HBL14PB**

## Accessories

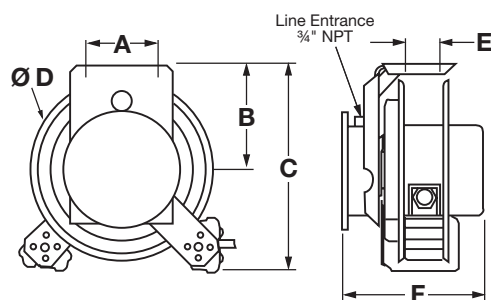
Description	Weight Lbs. (kg)	Description
14" pivot base.	5 (2.3)	<b>HBL14PB</b>
16" pivot base.	13 (5.9)	<b>HBL16PB</b>
Replacement stop.	.2 (.09)	<b>HBLWPBS</b>

## Specifications

Listing/Certification	UL 355 and CSA, C22.2 No. 21.
Environment	Type 4X enclosure, CAN/CSA - C22.2 No. 21. Dry, indoor and wet and damp outdoor non-hazardous location.

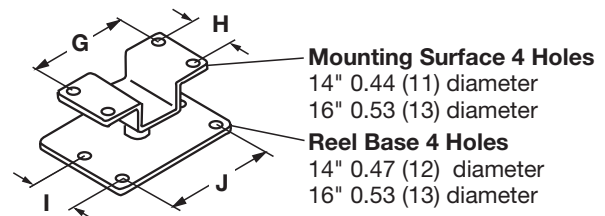
## Dimensions

Inch (mm)	A	B	C	D	E	F	G	H	I	J
14" Reel	6.50" (165)	8.12" (206)	16.25" (413)	13.75" (349)	3.00" (76)	12.19" (310)	3.00" (76)	3.00" (76)	3.00" (76)	6.50" (165)
16" Reel	6.50" (165)	9.12" (232)	18.25" (464)	15.75" (400)	3.00" (76)	14.19" (360)	6.00" (152)	6.00" (152)	4.94" (125)	6.50" (165)



## Pivot Base

### 340° Pivot Base (Optional)



Note: Pivot base for use only with Weatherproof Cable Reel.

Dimensions in Inches (mm)



**Industrial Power Cord Reels**

Cord End	Cable Feet (m)	Cable Type	NEMA Style	Amps	Volts AC	Weight Lbs. (kg)	Catalog Number
Without cord ends.	50 (15.2)	16/3 SJEO	—	10	125	20 (9.1)	<b>HBL50163</b>
Without cord ends.	45 (13.7)	12/3 SJEO	—	20	125	21 (9.5)	<b>HBL45123</b>
HBL5269C connector.	45 (13.7)	12/3 SJEO	5-15R	15	125	28 (12.7)	<b>HBL45123C</b>
HBL5369C connector.	45 (13.7)	12/3 SJEO	5-20R	20	125	28 (12.7)	<b>HBL45123C20</b>
HBL5369C connector, (white reel housing).	45 (13.7)	12/3 SJEO	5-20R	20	125	28 (12.7)	<b>HBL45123C20W</b>
HBL2313 connector.	45 (13.7)	12/3 SJEO	L5-20R	20	125	28 (12.7)	<b>HBL45123TL20</b>
HBL2313 connector, (white reel housing).	45 (13.7)	12/3 SJEO	L5-20R	20	125	28 (12.7)	<b>HBL45123TL20W</b>
Portable outlet box with (1) gray duplex receptacle.	45 (13.7)	12/3 SJEO	5-15R	15	125	29 (13.2)	<b>HBL45123R</b>
	45 (13.7)	12/3 SJEO	5-20R	20	125	29 (13.2)	<b>HBL45123R20</b>
Same as above except white.	45 (13.7)	12/3 SJEO	5-20R	20	125	29 (13.2)	<b>HBL45123R20W</b>
Portable outlet box with (2) gray duplex receptacle.	45 (13.7)	12/3 SJEO	5-20R	20	125	29 (13.2)	<b>HBL45123R220</b>
Same as above except white.	45 (13.7)	12/3 SJEO	5-20R	20	125	29 (13.2)	<b>HBL45123R220W</b>
Black portable outlet box with (1) gray duplex receptacle, (white reel housing).	45 (13.7)	12/3 SJEO	5-20R	20	125	29 (13.2)	<b>HBL45123R20WM1</b>
Portable outlet box with (1) ground fault protected gray duplex receptacle.	45 (13.7)	12/3 SJEO	5-15R	15	125	29 (13.2)	<b>HBL45123GF15</b>
	45 (13.7)	12/3 SJEO	5-20R	20	125	29 (13.2)	<b>HBL45123GF20</b>

Note: 15 Amp: Supplied with 5 ft. power supply cord with HBL5266C, 15A straight blade plug. 20 Amp: Supplied with 5 ft. power supply cord with HBL5366C, 20A straight blade plug. Ground fault protected reels supplied with (1) GFM20 and (1) HBLP26FS.

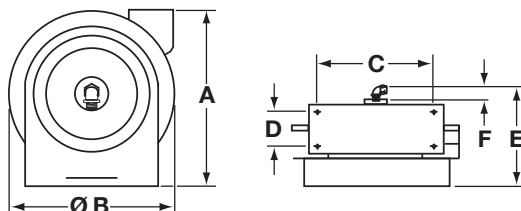


**Accessories**

Description	Weight Lbs. (kg)	Catalog Number
Pivot base 340° rotation fits all industrial models.	5 (2.3)	<b>HBL340PB</b>
Replacement stop.	.2 (.09)	<b>HBL12BS</b>

**Dimensions**

Inch (mm)	A	B	C	D	E	F
	13.00" (330)	12.38" (314)	8.00" (203)	2.50" (64)	9.75" (248)	1.25" (32)



Note: All models have four .625" (15.9) diameter mounting holes.

**Listing/Certification**

UL 355  
 CSA C22.2 No. 21.

**Environment**

Dry, indoor, non-hazardous locations.

**Mounting Positions**

Wall mount.  
 Ceiling mount.  
 Bench mount.

Dimensions in Inches (mm)



**HBL50162LED**

**Industrial Lighted Cord Reels, 50 Ft. (15.2m) - 16/3 AWG SJEO Cable**



Cord End	Watts (Max)	Amps	Volts AC	Weight Lbs. (kg)	Catalog Number
LED hand lamp, with end light.	8 + 1	0.07	120	21 (9.5)	<b>HBL50162LED</b>
Fluorescent hand lamp.	13	0.3	120	21 (9.5)	<b>HBL50162FL</b>
Incandescent hand lamp.	100	0.8	125	21 (9.5)	<b>HBL50163IN</b>

*Note: Supplied with 5 ft. power supply cord with HBL5266C, 15A straight blade plug.*

**Accessories**



**HBLC25143IN**

Description	Watts (Max)	Amps	Volts AC	Weight Lbs. (kg)	Catalog Number
Replacement stop.	—	—	—	.2 (.09)	<b>HBL16BS</b>
Replacement LED hand lamp.	8 + 1	0.07	120	1 (.5)	<b>HBL16LEDR*</b>
Replacement fluorescent hand lamp.	13	0.3	120	1 (.5)	<b>HBL16FLR</b>
Replacement incandescent hand lamp.	100	0.8	125	1 (.5)	<b>HBL16INR</b>

*Note: \*ETL Listed by INTERTEK.*



**HBLC40182LED**



**HBL50162FL**



**HBL50163IN**

**Commercial Lighted Cord Reels**



Description	Cable Feet (m)	Cable Type	Watts (Max)	Amps	Volts AC	Weight Lbs. (kg)	Catalog Number
Reel with LED hand lamp, with flashlight end, white	40 (12.2)	18/2 SJTOW	9	0.65	125	8.2 (3.7)	<b>HBLC40182LED</b>
Reel with non-metallic incandescent hand lamp and automatic shut off switch, yellow.	25 (7.6)	16/3 SJT	75	0.6	125	9.0 (4.1)	<b>HBLC25163AIN**</b>
Reel with metallic incandescent hand lamp with receptacle, yellow.	25 (7.6)	14/3 SJT	1,625	13	125	9.5 (4.3)	<b>HBLC25143IN</b>
Reel with fluorescent hand lamp and automatic shut off switch, white.	40 (12.2)	18/2 SJTOW	13	0.3	120	8.2 (3.7)	<b>HBLC40182AFL**</b>
Reel with fluorescent hand lamp and in-line receptacle, white.	40 (12.2)	16/3 SJT	1,200	10	120	9.0 (4.1)	<b>HBLC40163FL</b>

*Note: \*\*Allows the electrical cord reel installation to conform to Article 511 of the National Electric Code concerning installation of electrical devices in commercial garages, repair facilities and storage locations by positioning the switch above the defined area where hazardous fumes may collect.*



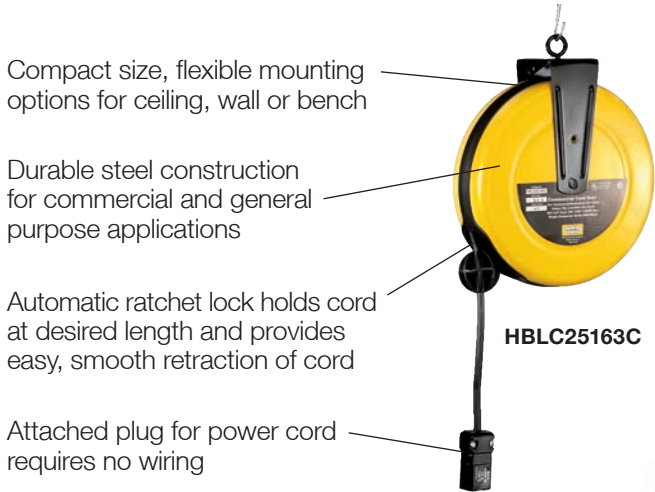
**HBLC40182AFL**



**HBLC40163FL**

INTERTEK and the Intertek logo are registered trademarks of Intertek Group plc.





**HBLC25163C**



**HBLC40123TT**

**Commercial Cord Reels**

Description	Cable Feet (m)	Cable Type	Watts (Max)	Amps	Volts AC	Weight Lbs. (kg)	Catalog Number
Reel with triple tap outlet, black.	40 (12.2)	12/3 SJTW	1,875	15	125	9.0 (4.1)	<b>HBLC40123TT</b>
Reel with wire leads, black.	40 (12.2)	12/3 SJTW	1,875	15	125	9.0 (4.1)	<b>HBLC40123</b>
Reel with triple tap outlet, white.	30 (9.1)	16/3 SJT	1,250	15	125	8.5 (3.9)	<b>HBLC30163TT</b>
Reel with a Hubbell HBL5969VBLK connector, yellow.	25 (7.6)	16/3 SJT	1,250	10	125	8.5 (3.9)	<b>HBLC25163C</b>
Reel with wire leads, yellow.	25 (7.6)	16/3 SJT	1,250	10	125	8.5 (3.9)	<b>HBLC25163*</b>

Note: Reels supplied with 2 ft. power supply cord and molded on straight blade 15A plug.  
 \*UL Listed only.



**HBLC40123TT**

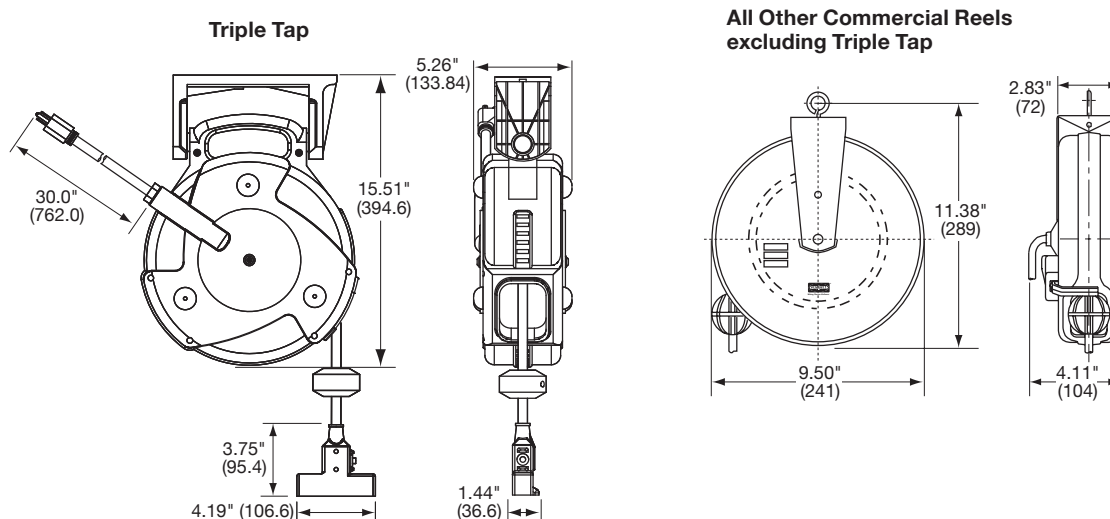


**HBLC25163C**

**Specifications**

Listing/Certification	UL 355.
Environment	Dry, indoor, non-hazardous locations.
Incandescent Lamp	75 watt max., auto switch, no receptacle; 100 watt max. bulb, with receptacle.
Fluorescent Lamp	10A/1200W max. with in-line receptacle; 13 watt without receptacle.

**Dimensions**



Dimensions in Inches (mm)

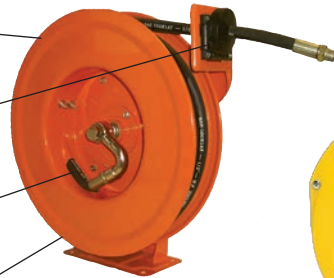


Spring rewind and ratchet lock

Multi-position four roller guide and adjustable hose stop

Full flow shafts and swivels assure maximum product delivery

Constructed of rugged steel, baked polyester finish components



**HBLHR2535**



**HBL50SD**

Steel construction

Compact design minimizes required installation space

Available with steel or nylon coated steel cable

Large grounding jaw clamp provides low resistant ground termination

**Air/Water Hose Reels**



**HBLHR2535**

Description	Cable Feet (m)	Max Pressure Psi	Frame Size	Input Hose Fitting (NPTF)	O.D. Inch (mm)	Weight Lbs. (kg)	Catalog Number
Low pressure 1/4" ID.	35 (10.7)	300	A	1/4	0.51 (13.0)	24 (10.9)	<b>HBLHR2535</b>
	50 (15.2)	300	B	1/4	0.51 (13.0)	26 (11.8)	<b>HBLHR2550</b>
Low pressure 3/8" ID.	25 (7.6)	300	A	3/8	0.65 (16.5)	23 (10.4)	<b>HBLHR3825</b>
	50 (15.2)	300	C	3/8	0.65 (16.5)	36 (16.3)	<b>HBLHR3850</b>
	70 (21.3)	300	E	3/8	0.65 (16.5)	50 (22.7)	<b>HBLHR3870</b>
Low pressure 1/2" ID.	35 (10.7)	300	C	3/8	0.77 (19.6)	38 (17.2)	<b>HBLHR5035</b>
	50 (15.2)	300	E	3/8	0.77 (19.6)	44 (20.0)	<b>HBLHR5050</b>

**Static Discharge Reels**



**HBL50SD**

Description	Cable Feet (m)	Cable Type	Weight Lbs. (kg)	Catalog Number
Static discharge reel.	50 (15.2)	Single 3/32" Steel	12 (5.4)	<b>HBL50SD</b>
Static discharge reel.	50 (15.2)	Single 3/32" Steel Nylon Coated	13 (5.9)	<b>HBL50SDN</b>
Static discharge reel.	50 (15.2)*	Dual (Y) 3/32" Steel	13 (5.9)	<b>HBL50YSD</b>

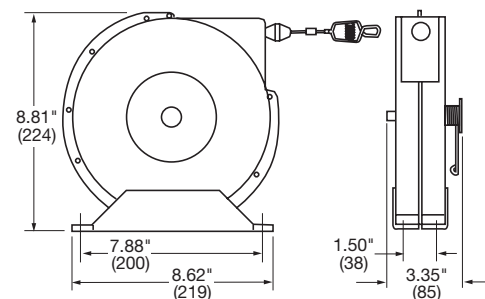
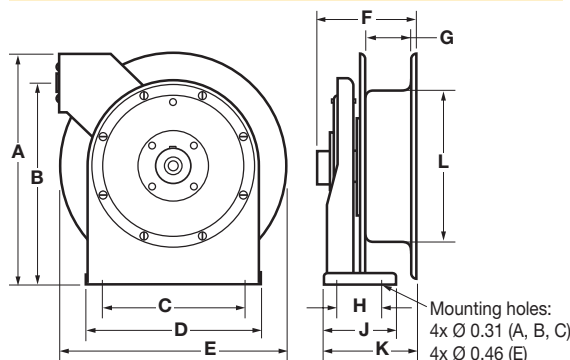
Note: \*35 ft. (10.6m) + Dual 15 ft. (4.5m) for "Y".

**Dimensions**

Frame size	A	B	C	D	E	F	G	H	J	K	L	M
A	12.88 (327)	11.25 (286)	8.00 (203)	9.88 (250)	12.13 (308)	5.50 (140)	2.50 (64)	2.50 (64)	4.00 (102)	5.09 (132)	8.38 (213)	—
B	14.50 (368)	12.81 (325)	9.75 (248)	11.25 (285)	13.75 (349)	6.19 (157)	3.16 (80)	2.50 (64)	4.00 (102)	5.88 (149)	8.38 (213)	—
C	17.50 (445)	15.63 (286)	9.75 (248)	11.25 (285)	16.50 (419)	6.19 (157)	3.16 (80)	2.50 (64)	4.00 (102)	5.88 (149)	10.25 (260)	—
E	20.38 (518)	18.12 (460)	7.88 (200)	9.45 (240)	19.00 (483)	6.63 (168)	3.35 (85)	3.86 (98)	5.43 (138)	6.10 (155)	11.00 (280)	9.5 (241)

**Air/Water Hose Reels**

**Static Discharge Reel**



Dimensions in Inches (mm)