

SECTION J



Table of Contents



Weatherproof Reels and Industrial Power Cord Reels



Industrial and Commercial Lighted Cord Reels



Air/Water Hose Reels and Static Discharge Reels



Product	Page
Weatherproof Reels	J-2
Industrial Power Cord Reels	J-3
Industrial and Commercial Lighted Cord Reels	J-4
Commercial Cord Reels	J-5
Air/Water Hose Reels and Static Discharge Reels	J-6



Features and Benefits

Weatherproof Reels

- Powder coated, solid steel construction
- Multi-position roller guide can be mounted in four different positions
- Ratchet lock can be disengaged in field for constant tension application
- UL Type 4X enclosure protects spring motor, junction box, slip ring assembly and cable entrance from hosedown or corrosion
- Optional pivot base allows 340° rotation of reel and increases range of cable to nearly any direction



HBL501242W
with HBL16PB



HBL501242W
with HBL16PB

Weatherproof Cable Reels, 50 Ft. (15.2m)

Description	Cable Type	Amps	Volts AC	Weight Lbs. (kg)	Catalog Number
14" weatherproof reel.	14/3 SOW-A	15	600	55 (24.9)	HBL501431W*
16" weatherproof reel.	12/3 SOW-A	20	600	80 (36.3)	HBL501232W*
16" weatherproof reel, (white reel housing).	12/3 SOW-A	20	600	80 (36.3)	HBL501232WM1*
16" weatherproof reel.	12/4 SOW-A	16	600	86 (39.0)	HBL501242W*
16" weatherproof reel.	10/3 SOW-A	25	600	86 (39.0)	HBL501032W*
16" weatherproof reel, (white reel housing).	10/3 SOW-A	25	600	86 (39.0)	HBL501032WM1*
16" weatherproof reel.	10/4 SOW-A	20	600	92 (41.7)	HBL501042W*

Note: *All weatherproof cable reels are supplied with wire leads and 3/4" NPT hub feed. Power supply cable not supplied.



HBL14PB

Accessories

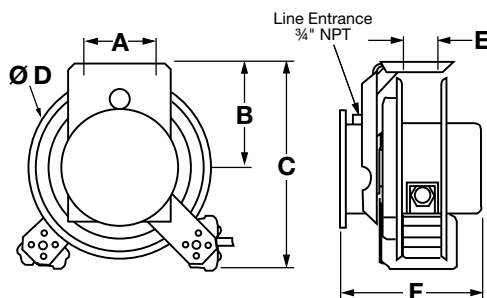
Description	Weight Lbs. (kg)	Description
14" pivot base.	5 (2.3)	HBL14PB
16" pivot base.	13 (5.9)	HBL16PB
Replacement stop.	.2 (.09)	HBLWPBS

Specifications

Listing/Certification	UL 355 and CSA, C22.2 No. 21.
Environment	Type 4X enclosure, CAN/CSA - C22.2 No. 21. Dry, indoor and wet and damp outdoor non-hazardous location.

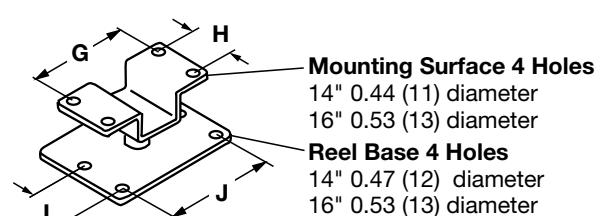
Dimensions

Inch (mm)	A	B	C	D	E	F	G	H	I	J
14" Reel	6.50" (165)	8.12" (206)	16.25" (413)	13.75" (349)	3.00" (76)	12.19" (310)	3.00" (76)	3.00" (76)	3.00" (76)	6.50" (165)
16" Reel	6.50" (165)	9.12" (232)	18.25" (464)	15.75" (400)	3.00" (76)	14.19" (360)	6.00" (152)	6.00" (152)	4.94" (125)	6.50" (165)



Pivot Base

340° Pivot Base (Optional)



Note: Pivot base for use only with Weatherproof Cable Reel.

Dimensions in Inches (mm)

Features and Benefits

Industrial Power Cord Reels

- Durable, corrosion resistant steel construction design with yellow or white powder coat finish
- Multi-position guide arm
- Positive-latch mechanism automatically maintains desired cord length
- 12 AWG cord for greater current carrying capacity
- Plug-in 5 ft. long power cord requires no electrical wiring



HBL45123TL20

Industrial Power Cord Reels

Cord End	Cable Feet (m)	Cable Type	NEMA Style	Amps	Volts AC	Weight Lbs. (kg)	Catalog Number
Without cord ends.	50 (15.2)	16/3 SJ	—	10	125	20 (9.1)	HBL50163
Without cord ends.	45 (13.7)	12/3 SJ	—	20	125	21 (9.5)	HBL45123
HBL5269C connector.	45 (13.7)	12/3 SJ	5-15R	15	125	28 (12.7)	HBL45123C
HBL5369C connector.	45 (13.7)	12/3 SJ	5-20R	20	125	28 (12.7)	HBL45123C20
Same as above with white reel housing.							HBL45123C20W
HBL2313 connector.	45 (13.7)	12/3 SJ	L5-20R	20	125	28 (12.7)	HBL45123TL20
Same as above with white reel housing.							HBL45123TL20W
Portable outlet box with (1) gray duplex receptacle.	45 (13.7)	12/3 SJ	5-15R	15	125	29 (13.2)	HBL45123R
Same as above except white.	45 (13.7)	12/3 SJ	5-20R	20	125	29 (13.2)	HBL45123R20
Black portable outlet box with (1) gray duplex receptacle, white reel housing.	45 (13.7)	12/3 SJ	5-20R	20	125	29 (13.2)	HBL45123R20WM1
Portable outlet box with (2) gray duplex receptacles.	45 (13.7)	12/3 SJ	5-20R	20	125	29 (13.2)	HBL45123R220
Same as above except white.							HBL45123R220W
Black portable outlet box with (2) gray duplex receptacles, white reel housing.	45 (13.7)	12/3 SJ	5-20R	20	125	29 (13.2)	HBL45123R220WM1
Portable outlet box with (1) ground fault protected gray duplex receptacle.	45 (13.7)	12/3 SJ	5-15R	15	125	29 (13.2)	HBL45123GF15
Same as above except white.	45 (13.7)	12/3 SJ	5-20R	20	125	29 (13.2)	HBL45123GF20
Black portable outlet box with (2) ground fault protected gray duplex receptacles, white reel housing.	45 (13.7)	12/3 SJ	5-20R	20	125	25 (11.3)	HBL45123GF220WM1

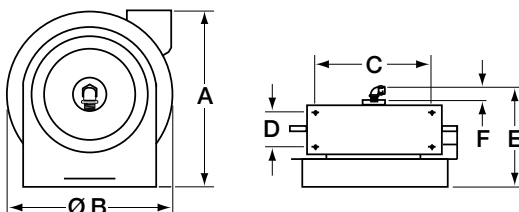
Note: 15 Amp: Supplied with 5 ft. power supply cord with HBL5266C, 15A straight blade plug. 20 Amp: Supplied with 5 ft. power supply cord with HBL5366C, 20A straight blade plug. Ground fault protected reels supplied with (1) GFM20 and (1) HBLP26FS.

Accessories

Description	Weight Lbs. (kg)	Catalog Number
Pivot base 340° rotation fits all industrial models.	5 (2.3)	HBL340PB
Replacement stop.	.2 (.09)	HBL12BS

Dimensions

Inch (mm)	A	B	C	D	E	F
	13.00" (330)	12.38" (314)	8.00" (203)	2.50" (64)	9.75" (248)	1.25" (32)



Note: All models have four .625" (15.9) diameter mounting holes.

Listing/Certification

UL 355
CSA C22.2 No. 21.

Environment

Dry, indoor, non-hazardous locations.

Mounting Positions

Wall mount.
Ceiling mount.
Bench mount.



HBL45123C



HBL45123TL20



HBL45123R



HBL45123R20WM1



HBL45123GF15



HBL45123GF220WM1



HBL340PB

Dimensions in Inches (mm)



HBL50162LED

Industrial Lighted Cord Reels, 50 Ft. (15.2m) - 16/3 AWG SJEO Cable



Cord End	Watts (Max)	Amps	Volts AC	Weight Lbs. (kg)	Catalog Number
LED hand lamp, with end light.	8 + 1	0.07	120	21 (9.5)	HBL50162LED
Fluorescent hand lamp.	13	0.3	120	21 (9.5)	HBL50162FL
Incandescent hand lamp.	100	0.8	125	21 (9.5)	HBL50163IN

Note: Supplied with 5 ft. power supply cord with HBL5266C, 15A straight blade plug.

Accessories



HBLC25143IN

Description	Watts (Max)	Amps	Volts AC	Weight Lbs. (kg)	Catalog Number
Replacement stop.	—	—	—	.2 (.09)	HBL16BS
Replacement mounting bracket for 12/3 cable, commercial cord reels HBLC40123(TT).	—	—	—	.3 (.17)	HBLC12MB
Replacement LED hand lamp.	8 + 1	0.07	120	1 (.5)	HBL16LEDR*
Replacement fluorescent hand lamp.	13	0.3	120	1 (.5)	HBL16FLR
Replacement incandescent hand lamp.	100	0.8	125	1 (.5)	HBL16INR

Note: *ETL Listed by INTERTEK.



HBLC40182LED



HBL50162FL



HBL50163IN

Commercial Lighted Cord Reels



Description	Cable Feet (m)	Cable Type	Watts (Max)	Amps	Volts AC	Weight Lbs. (kg)	Catalog Number
Reel with LED hand lamp, with flashlight end, white	40 (12.2)	18/2 SJTOW	9	0.65	125	8.2 (3.7)	HBLC40182LED
Reel with non-metallic incandescent hand lamp and automatic shut off switch, yellow.	25 (7.6)	16/3 SJT	75	0.6	125	9.0 (4.1)	HBLC25163AIN**
Reel with metallic incandescent hand lamp with receptacle, yellow.	25 (7.6)	14/3 SJT	1,625	13	125	9.5 (4.3)	HBLC25143IN
Reel with fluorescent hand lamp and automatic shut off switch, white.	40 (12.2)	18/2 SJTOW	13	0.3	120	8.2 (3.7)	HBLC40182AFL**
Reel with fluorescent hand lamp and in-line receptacle, white.	40 (12.2)	16/3 SJT	1,200	10	120	9.0 (4.1)	HBLC40163FL

Note: **Allows the electrical cord reel installation to conform to Article 511 of the National Electric Code concerning installation of electrical devices in commercial garages, repair facilities and storage locations by positioning the switch above the defined area where hazardous fumes may collect.



HBLC40163FL

INTERTEK and the Intertek logo are registered trademarks of Intertek Group plc.

Features and Benefits

Commercial Cord Reels

- Durable steel construction for commercial and general purpose applications
- Compact size, flexible mounting options for ceiling, wall or bench
- Automatic ratchet lock holds cord at desired length and provides easy, smooth retraction of cord
- 12 AWG cord for greater current carrying capacity
- Attached plug for power cord requires no wiring



HBLC25163C



HBLC40123TT

Commercial Cord Reels

- Durable light weight non-metallic housing
- Removable bracket allows reel to be disengaged from mount providing portability
- 40 Ft. of 12/3 cord for greater current carrying capacity
- Triple tap outlet with supplemental over current protection

Commercial Cord Reels

Description	Cable Feet (m)	Cable Type	Watts (Max)	Amps	Volts AC	Weight Lbs. (kg)	Catalog Number
Reel with triple tap outlet, black.	40 (12.2)	12/3 SJTW	1,875	15	125	9.0 (4.1)	HBLC40123TT*
Reel with wire leads, black.	40 (12.2)	12/3 SJTW	1,875	15	125	9.0 (4.1)	HBLC40123*
Reel with triple tap outlet, with white cord.	30 (9.1)	16/3 SJT	1,250	10	125	8.5 (3.9)	HBLC30163TT
Reel with a Hubbell HBL5969VBLK connector, yellow.	25 (7.6)	16/3 SJT	1,250	10	125	8.5 (3.9)	HBLC25163C
Reel with wire leads, yellow.	25 (7.6)	16/3 SJT	1,250	10	125	8.5 (3.9)	HBLC25163**

Note: Reels supplied with 2 ft. power supply cord and molded on straight blade 15A plug.

*See page J-4 for replacement mounting bracket HBLC12MB.

**UL Listed only.



HBLC40123TT

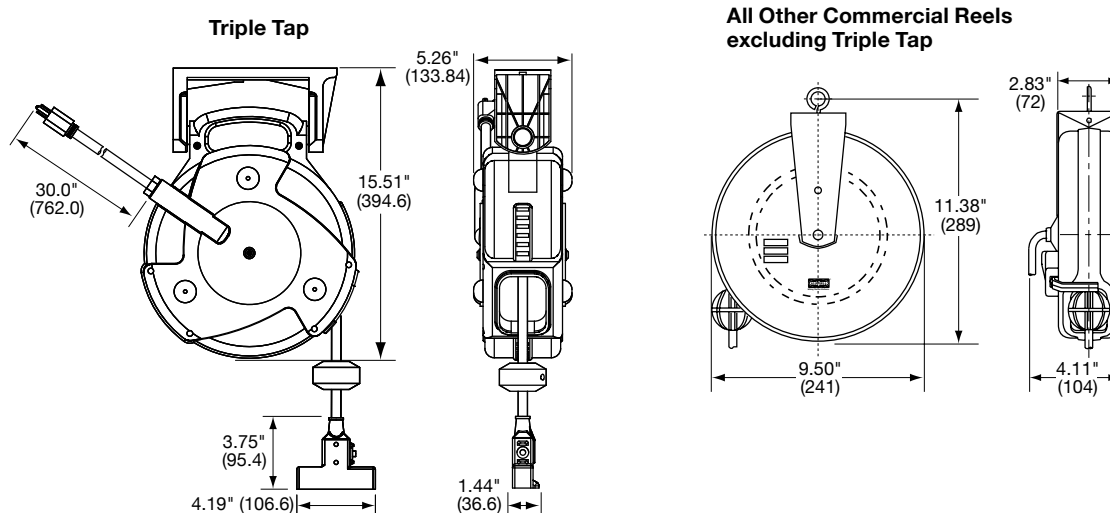


HBLC25163C

Specifications

Listing/Certification	UL 355.
Environment	Dry, indoor, non-hazardous locations.
Incandescent Lamp	75 watt max., auto switch, no receptacle; 100 watt max. bulb, with receptacle.
Fluorescent Lamp	10A/1200W max. with in-line receptacle; 13 watt without receptacle.

Dimensions



Dimensions in Inches (mm)



Features and Benefits

Air/Water Hose Reels

- Constructed of rugged steel, baked polyester finish components
- Multi-position four roller guide and adjustable hose stop
- Spring rewind and ratchet lock
- Full flow shafts and swivels assure maximum product delivery



HBLHR2535



HBL50SD

Static Discharge Reels

- Steel construction
- Compact design minimizes required installation space
- Available with steel or nylon coated steel cable
- Large grounding jaw clamp provides low resistant ground termination

Air/Water Hose Reels

Description	Cable Feet (m)	Max Pressure Psi	Frame Size	Input Hose Fitting (NPTF)	O.D. Inch (mm)	Weight Lbs. (kg)	Catalog Number
Low pressure 1/4" ID.	35 (10.7)	300	A	1/4	0.51 (13.0)	24 (10.9)	HBLHR2535
	50 (15.2)	300	B	1/4	0.51 (13.0)	26 (11.8)	HBLHR2550
Low pressure 3/8" ID.	25 (7.6)	300	A	3/8	0.65 (16.5)	23 (10.4)	HBLHR3825
	50 (15.2)	300	C	3/8	0.65 (16.5)	36 (16.3)	HBLHR3850
	70 (21.3)	300	E	3/8	0.65 (16.5)	50 (22.7)	HBLHR3870
Low pressure 1/2" ID.	35 (10.7)	300	C	3/8	0.77 (19.6)	38 (17.2)	HBLHR5035
	50 (15.2)	300	E	3/8	0.77 (19.6)	44 (20.0)	HBLHR5050



HBLHR2535



HBL50SD

Static Discharge Reels

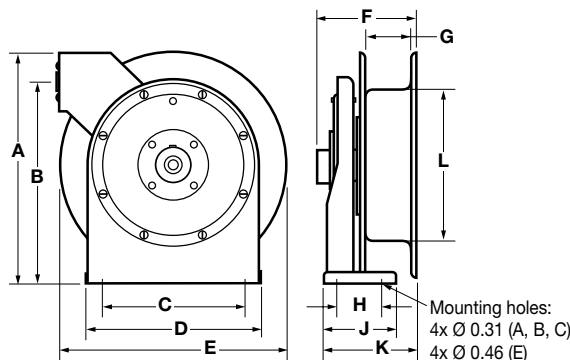
Description	Cable Feet (m)	Cable Type	Weight Lbs. (kg)	Catalog Number
Static discharge reel.	50 (15.2)	Single 3/32" Steel	12 (5.4)	HBL50SD
Static discharge reel.	50 (15.2)	Single 3/32" Steel Nylon Coated	13 (5.9)	HBL50SDN
Static discharge reel.	50 (15.2)*	Dual (Y) 3/32" Steel	13 (5.9)	HBL50YSD

Note: *35 ft. (10.6m) + Dual 15 ft. (4.5m) for "Y".

Dimensions

Frame size	A	B	C	D	E	F	G	H	J	K	L	M
A	12.88 (327)	11.25 (286)	8.00 (203)	9.88 (250)	12.13 (308)	5.50 (140)	2.50 (64)	2.50 (64)	4.00 (102)	5.09 (132)	8.38 (213)	—
B	14.50 (368)	12.81 (325)	9.75 (248)	11.25 (285)	13.75 (349)	6.19 (157)	3.16 (80)	2.50 (64)	4.00 (102)	5.88 (149)	8.38 (213)	—
C	17.50 (445)	15.63 (286)	9.75 (248)	11.25 (285)	16.50 (419)	6.19 (157)	3.16 (80)	2.50 (64)	4.00 (102)	5.88 (149)	10.25 (260)	—
E	20.38 (518)	18.12 (460)	7.88 (200)	9.45 (240)	19.00 (483)	6.63 (168)	3.35 (85)	3.86 (98)	5.43 (138)	6.10 (155)	11.00 (280)	9.5 (241)

Air/Water Hose Reels



Dimensions in Inches (mm)

Static Discharge Reel

