

# SECTION X



## Table of Contents



### Decorator Products



### USB Charger Receptacles and Outlets



### Power Delivery



### Decorator Products

Products at a Glance	X-2
Rocker Switches	X-3
Combination Rocker Switches/Devices	X-4
Standard Receptacles, Weather/Tamper-Resistant, and Single Receptacles	X-5
USB Charger Receptacles and Outlets	X-7
GFCI Receptacles with Auto Grounding	X-8
Recessed Receptacles and AV Wallboxes	X-9
Decorator Frames and Modular Snap Fit Jacks	X-10
Molded-In Voice/Data/Video	X-11
Plastic and Metal Wallplates	X-12
Combination Wallplates	X-13

### Switches and Receptacles

Toggle Switches	X-14
Combination Switches/Devices	X-15
XClamp and Duplex Receptacles	X-16
Single Receptacles and Range/Dryer Power Receptacles and Plugs	X-17
Special Use Products	X-18

### Lighting Controls

Dimmers and Fan Speed Controls	X-19
Wall Switches and Digital Timer	X-20

### Power Delivery

Floor Boxes for Concrete Floors	X-21
Floor Boxes for Wood Floors	X-22
Countertop Receptacles	X-25
Under Cabinet/Counter Power Distribution	X-26
JLOAD® Multimedia Outlet	X-27
Technical Information	X-28



## Products at a Glance



### Decorator Switches

- Smooth, quiet rocker
- Self-grounding feature is standard
- Nightlight version is available
- Ultrasonically welded cover and base
- Operating temperature: -20°C to 60°C
- UL Listed, CSA Certified



### Decorator Duplex Receptacles

- Self-grounding feature is standard
- Tamper and weather resistant availability
- Multiple-drive Slot/Phillips/Robertson head screws
- Nightlight version is available
- Hi-visibility yellow base for easy installation
- Operating temperature: -20°C to 60°C
- UL Listed, CSA Certified



### Modular Snap Fit Jacks

- Customize the jack selections and look
- Molded-In voice/low-speed data, modular snap fit
- AV connectors, standard bulkhead
- AV connectors, recessed



### GFCI Receptacles

- Patented AUTOGUARD® self test technology includes disconnecting power to the receptacle if critical components are damaged and GFCI protection is lost
- Internal back wiring clamp and guide for quick and secure termination
- Night light option includes light sensor controls for automatic ON and OFF, custom dual lens for optimum light output



### Passive Infrared Wall Switches and Timers

- Passive infrared technology
- Photocell (WS2000 series)
- No neutral required
- Steel mounting strap
- Compatible with most LED and CFL
- CEC Title 24 and Ashrae 90.1 compliant
- cULus



### USB Charger Receptacles

- Two USB ports 5 Amp, 5V DC
- Patented Hubbell Tamper-Resistant technology uses cam action shutters
- Standard and Hospital grade
- cULus listed to UL498 and UL1310

### 4 Port and 2 Port USB Outlets

- Switch activated port door; when open enables power; when closed, all power is switched OFF, for a “zero” no-load draw
- Shallow depth design for two port



### Power Delivery

- Hubbell Pop-Up receptacles for countertops provide a power source ideal for kitchen or bath counters and islands
- Round non-metallic floor boxes for concrete floors
- Height adjustable wood floor boxes
- Drop-In floor boxes are perfect for quick and easy installations
- Under cabinet/counter power distribution boxes can also be placed under counter islands or kitchen cabinets
- JLOAD® multimedia outlet Isolates low voltage and power in the same box

## Decorator Quiet Rocker Switches

### Decorator Products - Smart Style, Good Looks

Residential Decorator Switches and Receptacles provide solid, dependable performance and more. Indeed, they are fashion statements, masterfully complementing the look and feel of any room in any home.

#### Single Pole Decorator Quiet Rocker Switches

Description	Single Pole	Single Pole, Illuminated	Single Pole, Pilot Light	Single Pole with Nightlight	Single Pole with ON/OFF Marking
Termination	Self-Grounding, Push, Back and Side Wire	Self-Grounding, Push, Back and Side Wire	Self-Grounding, Push, Back and Side Wire	Self-Grounding, Push, Back and Side Wire	Self-Grounding, Push, Back and Side Wire
Rating	15A 120-277V AC	15A 120V AC	15A 120V AC	20A 120-277V AC	15A 120-277V AC
Black	<b>RSD115BK</b>	—	—	<b>DS120NLBK**</b>	—
Brown	<b>RSD115</b>	—	—	<b>DS120NLBR**</b>	—
Gray	<b>RSD115GY</b>	—	—	<b>DS120NLGY**</b>	—
Ivory	<b>RSD115I</b>	<b>RSD115ILI*</b>	<b>RSD115PLI**</b>	<b>DS120NLIV**</b>	<b>RSD115IM</b>
Light Almond	<b>RSD115LA</b>	<b>RSD115ILLA*</b>	<b>RSD115PLLA**</b>	<b>DS120NLLA**</b>	<b>RSD115LAM</b>
White	<b>RSD115W</b>	<b>RSD115ILW*</b>	<b>RSD115PLW**</b>	<b>DS120NLWH**</b>	<b>RSD115WM</b>

Note: \*Light glows through the top portion of the rocker when switch is in the OFF position. Does not require a neutral wire.

\*\*Light glows through the top portion of the rocker when switch is in the OFF position. Requires a neutral wire.



RSD115W



RSD115PLW

#### Double Pole, Three Way and Four Way Decorator Quiet Rocker Switches

Description	Double Pole	Three Way	Three Way, Illuminated	Four Way
Termination	Self-Grounding, Back and Side Wire	Self-Grounding, Push, Back and Side Wire	Self-Grounding, Push, Back and Side Wire	Self-Grounding, Back and Side Wire
Rating	15A 120-277V AC	15A 120-277V AC	15A 120V AC	15A 120-277V AC
Black	<b>RSD215BK</b>	<b>RSD315BK</b>	—	<b>RSD415BK</b>
Brown	<b>RSD215</b>	<b>RSD315</b>	—	<b>RSD415</b>
Gray	<b>RSD215GY</b>	<b>RSD315GY</b>	—	<b>RSD415GY</b>
Ivory	<b>RSD215I</b>	<b>RSD315I</b>	<b>RSD315ILI*</b>	<b>RSD415I</b>
Light Almond	<b>RSD215LA</b>	<b>RSD315LA</b>	<b>RSD315ILLA*</b>	<b>RSD415LA</b>
White	<b>RSD215W</b>	<b>RSD315W</b>	<b>RSD315ILW*</b>	<b>RSD415W</b>

Note: \*Light glows through the top portion of the rocker when switch is in the OFF position. Does not require a neutral wire.



DS120NLWH

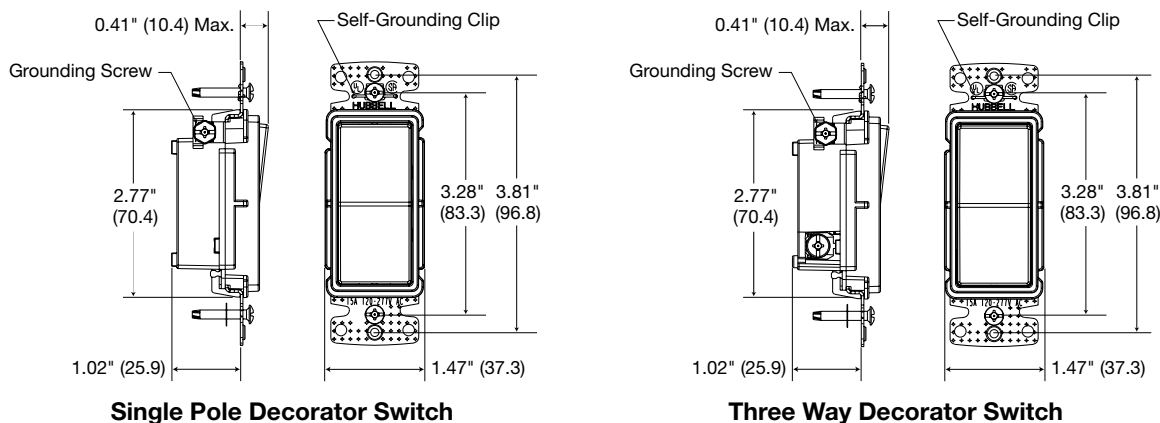


RSD115WM



RSD215W

#### Dimensions



Dimensions in Inches (mm)

## Decorator Combination Quiet Rocker Switches/Devices

### Features

- Low profile, less than 1 inch deep
- Self-grounding feature is standard
- Operating temperature: -20°C to 60°C
- UL Listed, CSA Certified

### Combination Quiet Rocker Switches/Devices



RCD111W



RCD101W



RCD108W



RCD109W



DD100NLWH

Description	Three (3) Single Pole Switches	Two (2) Single Pole Switches	Single Pole and Three Way Switch	Single Pole Switch, 2 Pole, 3 Wire Receptacle
Termination	Self-Grounding, Side Wire	Self-Grounding, Side Wire	Self-Grounding, Side Wire	Self-Grounding, Side Wire
Rating	15A 120-277V AC	15A 120-277V AC	15A 120-277V AC	15A 120V (switch) 15A 125V (recept.) NEMA 5-15R
Black	—	<b>RCD101BK</b>	<b>RCD103BK</b>	<b>RCD108BK</b>
Gray	—	<b>RCD101GY</b>	<b>RCD103GY</b>	<b>RCD108GY</b>
Ivory	<b>RCD111I</b>	<b>RCD101I</b>	<b>RCD103I</b>	<b>RCD108I</b>
Light Almond	<b>RCD111LA</b>	<b>RCD101LA</b>	<b>RCD103LA</b>	<b>RCD108LA</b>
White	<b>RCD111W</b>	<b>RCD101W</b>	<b>RCD103W</b>	<b>RCD108W</b>

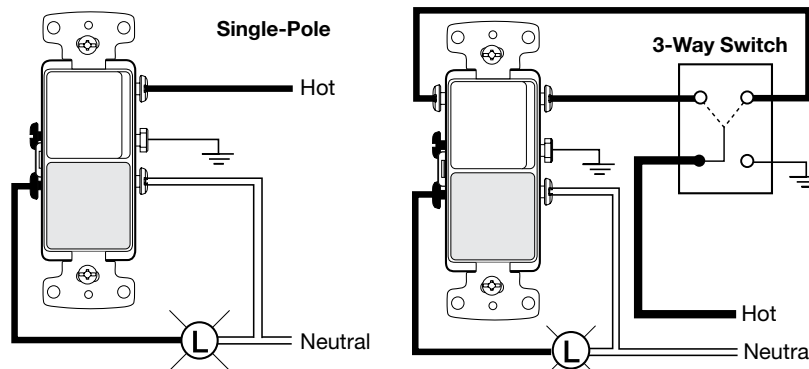
Description	* Single Pole Switch, Tamper-Resistant, 2 Pole, 3 Wire, Receptacle	Two (2) Three Way Switches	* Three Way Switch, Tamper-Resistant, 2 Pole, 3 Wire, Receptacle
Termination	Self-Grounding, Side Wire	Self-Grounding, Side Wire	Self-Grounding, Side Wire
Rating	15A 120V (switch) 15A 125V (recept.) NEMA 5-15R	15A 120-277V AC	15A 120V (switch) 15A 125V (recept.) NEMA 5-15R
Black	<b>RCD108BKTR</b>	<b>RCD303BK</b>	<b>RCD308BKTR</b>
Gray	<b>RCD108GYTR</b>	<b>RCD303GY</b>	<b>RCD308GYTR</b>
Ivory	<b>RCD108ITR</b>	<b>RCD303I</b>	<b>RCD308ITR</b>
Light Almond	<b>RCD108LATR</b>	<b>RCD303LA</b>	<b>RCD308LATR</b>
White	<b>RCD108WTR</b>	<b>RCD303W</b>	<b>RCD308WTR</b>

Description	Single Pole Switch, Pilot Light, Clear Lens, Amber Neon Bulb	Three Way Switch, Pilot Light, Clear Lens, Amber Neon Bulb	Nightlight Only
Termination	Self-Grounding, Side Wire	Self-Grounding, Side Wire	Self-Grounding, 6" Pre-wired Stranded Wire, 1/2" Stripped Ends
Rating	15A 120V	15A 120V	120V
Ivory	<b>RCD109I**</b>	<b>RCD309I**</b>	<b>DD100NLIV**</b>
Light Almond	<b>RCD109LA**</b>	<b>RCD309LA**</b>	<b>DD100NLLA**</b>
White	<b>RCD109W**</b>	<b>RCD309W**</b>	<b>DD100NLWH**</b>

Note: See page Tech-10 for Tamper-Resistant description.

\*\*Requires neutral wire.

### Pilot Light Wiring Diagram



Dimensions in Inches (mm)

## Decorator Weather Resistant, Tamper-Resistant, Standard and Single Receptacles

### Decorator Duplex Receptacles, 2 Pole, 3 Wire

Description	* * Weather and Tamper-Resistant	* Tamper-Resistant	Standard	Standard
Termination	Self-Grounding, Push and Side Wire	Self-Grounding, Push and Side Wire	Self-Grounding, Push and Side Wire	Push and Side Wire
Rating	15A 125V NEMA 5-15R	15A 125V NEMA 5-15R	15A 125V NEMA 5-15R	15A 125V NEMA 5-15R
Black	<b>RRD15SBKWRTR</b>	<b>RRD15SBKTR</b>	<b>RRD15SBK</b>	<b>RRD15BK</b>
Brown	<b>RRD15SWRTR</b>	<b>RRD15STR</b>	<b>RRD15S</b>	<b>RRD15</b>
Gray	<b>RRD15SGYWRTR</b>	<b>RRD15SGYTR</b>	<b>RRD15SGY</b>	<b>RRD15GY</b>
Ivory	<b>RRD15SIWRTR</b>	<b>RRD15SITR</b>	<b>RRD15SI</b>	<b>RRD15I</b>
Light Almond	<b>RRD15SLAWRTR</b>	<b>RRD15SLATR</b>	<b>RRD15SLA</b>	<b>RRD15LA</b>
White	<b>RRD15SWRTR</b>	<b>RRD15SWTR</b>	<b>RRD15SW</b>	<b>RRD15W</b>



RRD15SWTR

Description	* Tamper-Resistant, Nightlight Receptacle	* Tamper-Resistant	* Tamper-Resistant, Without Ears**
Termination	Self-Grounding, Two Nightlight Sources for 0.5 Lumens Total, Back and Side Wired	Self-Grounding, Eight Push Wire Holes Only #14 AWG	Self-Grounding, Push and Side Wire
Rating	15A 125V NEMA 5-15R	15A 125V NEMA 5-15R	15A 125V NEMA 5-15R
Black	—	<b>RRD15EBKTR</b>	<b>RRD15KBKTR</b>
Brown	—	<b>RRD15ETR</b>	<b>RRD15KTR</b>
Gray	—	<b>RRD15EGYTR</b>	<b>RRD15KGYTR</b>
Ivory	<b>DR15NLIV</b>	<b>RRD15EITR</b>	<b>RRD15KITR</b>
Light Almond	<b>DR15NLLA</b>	<b>RRD15ELATR</b>	<b>RRD15KLATR</b>
White	<b>DR15NLWH</b>	<b>RRD15EWTR</b>	<b>RRD15KWTR</b>



RRD15SW



DR15NLWH

### Decorator Single Receptacles, 2 Pole, 3 Wire

Description	* Tamper-Resistant	* Tamper-Resistant	Standard
Termination	Self-Grounding, Side Wire	Self-Grounding, Side Wire	Self-Grounding, Side Wire
Rating	15A 125V NEMA 5-15R	20A 125V NEMA 5-20R	20A 125V NEMA 5-20R
Black	<b>RRD151BKTR</b>	<b>RRD201BKTR</b>	<b>RRD201BK</b>
Brown	<b>RRD151TR</b>	<b>RRD201TR</b>	<b>RRD201</b>
Gray	<b>RRD151GYTR</b>	<b>RRD201GYTR</b>	<b>RRD201GY</b>
Ivory	<b>RRD151ITR</b>	<b>RRD201ITR</b>	<b>RRD201I</b>
Light Almond	<b>RRD151LATR</b>	<b>RRD201LATR</b>	<b>RRD201LA</b>
White	<b>RRD151WTR</b>	<b>RRD201WTR</b>	<b>RRD201W</b>



RRD151W

Description	Standard	Standard
Termination	Self-Grounding, Side Wire	Self-Grounding, Side Wire
Rating	15A 250V NEMA 6-15R	20A 250V NEMA 6-20R
Black	<b>RRD155BK</b>	<b>RRD205BK</b>
Brown	<b>RRD155</b>	<b>RRD205</b>
Gray	<b>RRD155GY</b>	<b>RRD205GY</b>
Ivory	<b>RRD155I</b>	<b>RRD205I</b>
Light Almond	<b>RRD155LA</b>	<b>RRD205LA</b>
White	<b>RRD155W</b>	<b>RRD205W</b>



RRD205W

Note: See page Tech-10 for Tamper-Resistant description.

Dimensions in Inches (mm)



## Features and Benefits

### USB Charger Receptacles and Outlets

More Ways to Charge Faster with Hubbell's line of USB Chargers, available in Type-C, Combination Type A&C or the legacy Type A, all with a USB high power output of 5 Amp 5 Volt DC. Hubbell's USB Charger Duplex Receptacle provides both USB and electrical power in a standard single gang opening. Designed to provide maximum charging for portable electronics, the USB ports are capable of charging two tablets simultaneously.

The 4 Port and 2 Port Charger Outlet feature a USB port door, which when open enables power. When closed, all power is switched OFF. This eliminates all current flow for a "zero" no-load draw. Buildings looking to provide 100% green efficiency in power delivery will maximize LEED and energy efficient design.

#### Common Features

- Green LED indicator to show USB power available
- USB stainless steel ports rated for minimum 10,000 insertions and removals
- Complies with battery charging specification BC1.2
- Designed for commercial, industrial and home use
- Compatible with USB 1.1/2.0/3.0 devices, including Apple® products



USB15AC5W

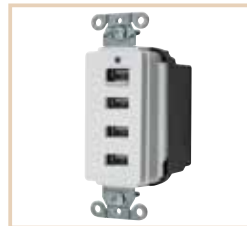


USB4W



#### Type-C USB Charger

- Two Type-C port configurations
- High power 5 Amp, 5 Volt DC USB output



#### 4 Port USB Charger

- 4 Port outlet, 5 Amp, 5V DC, Type A, class 2.0
- Switch activated port door; when open enables power. When closed, all power is switched off, for a "zero" no-load draw



#### Type A&C USB Charger

- One Type A and one Type-C port configurations
- High power 5 Amp, 5 Volt DC USB output



#### 2 Port USB Charger

- 2 Port outlet, 3 Amp, 5V DC, Type A, class 2.0
- Switch activated port door; when open enables power. When closed, all power is switched off, for a "zero" no-load draw
- Shallow depth design



#### Type A USB Charger

- Two Type A port configurations
- High power 5 Amp, 5 Volt DC USB output



#### Switch Combo Outlets

- Two USB ports 2.1 Amp, 5Volt DC, Type A, class 2.0
- Isolated 15 Amp, 120V AC single pole/3-way switch

Apple® is a registered trademark of Apple Inc.

## USB Charger Receptacles and Outlets



### USB Charger Type-C

Description	Color	15A 125V	20A 125V
USB Charger Outlet: two Type-C port configurations, high power 5 Amp, 5 Volt USB output, USB ports rated 10,000 cycles, Commercial Grade Tamper-Resistant duplex receptacle. Available in Hospital grade, see section A or L.	Black	<b>USB15C5BK</b>	<b>USB20C5BK</b>
	Brown	<b>USB15C5</b>	<b>USB20C5</b>
	Gray	<b>USB15C5GY</b>	<b>USB20C5GY</b>
	Ivory	<b>USB15C5I</b>	<b>USB20C5I</b>
	Light Almond	<b>USB15C5LA</b>	<b>USB20C5LA</b>
	White	<b>USB15C5W</b>	<b>USB20C5W</b>



USB15C5W

### USB Charger Combination Type A&C

Description	Color	15A 125V	20A 125V
USB Charger Outlet: one Type A and one Type-C port configurations, high power 5 Amp, 5 Volt USB output, USB ports rated 10,000 cycles, Commercial Grade Tamper-Resistant duplex receptacle. Available in Hospital grade, see section A or L.	Black	<b>USB15AC5BK</b>	<b>USB20AC5BK</b>
	Brown	<b>USB15AC5</b>	<b>USB20AC5</b>
	Gray	<b>USB15AC5GY</b>	<b>USB20AC5GY</b>
	Ivory	<b>USB15AC5I</b>	<b>USB20AC5I</b>
	Light Almond	<b>USB15AC5LA</b>	<b>USB20AC5LA</b>
	White	<b>USB15AC5W</b>	<b>USB20AC5W</b>



USB15AC5W

### USB Charger Type A

Description	Color	15A 125V	20A 125V
USB Charger Outlet: two Type A port configurations, high power 5 Amp, 5 Volt USB output, USB ports rated 10,000 cycles, Commercial Grade Tamper-Resistant duplex receptacle. Available in Hospital grade, see section A or L.	Black	<b>USB15A5BK</b>	<b>USB20A5BK</b>
	Brown	<b>USB15A5</b>	<b>USB20A5</b>
	Gray	<b>USB15A5GY</b>	<b>USB20A5GY</b>
	Ivory	<b>USB15A5I</b>	<b>USB20A5I</b>
	Light Almond	<b>USB15A5LA</b>	<b>USB20A5LA</b>
	White	<b>USB15A5W</b>	<b>USB20A5W</b>



USB20A5W

Note: See page Tech-10 for Tamper-Resistant description.

### USB Charger Outlets

Description	Color	4 Port Outlet, 5 Amp, 5 Volt DC	2 Port Outlet, Shallow Profile, 3 Amp, 5 Volt DC
USB Charger 2 or 4 Port Outlets, USB Type 2.0 Ports, decorator.	Black	<b>USB4BK</b>	<b>USB2BK</b>
	Brown	<b>USB4</b>	<b>USB2</b>
	Gray	<b>USB4GY</b>	<b>USB2GY</b>
	Ivory	<b>USB4I</b>	<b>USB2I</b>
	Light Almond	<b>USB4LA</b>	<b>USB2LA</b>
	White	<b>USB4W</b>	<b>USB2W</b>



USB4W

### Switch Combo Outlets

Description	Color	Catalog Number
Switch Combo Outlet, two USB type 2.0 ports, 2.1 Amp, 5 Volt DC, Style Line® decorator	Black	<b>USB102BK</b>
	Brown	<b>USB102</b>
	Gray	<b>USB102GY</b>
	Ivory	<b>USB102I</b>
	Light Almond	<b>USB102LA</b>
	White	<b>USB102W</b>



USB2W



USB102W

## GFCI Receptacles with Auto Grounding

Meets UL Standard 943  
Class A GFCI

### Features

- Patented AUTOGUARD® self test technology includes disconnecting power to the receptacle if critical components are damaged and GFCI protection is lost
- Internal back wiring clamp and guide for quick and secure termination
- Night light option includes light sensor controls for automatic ON and OFF, custom dual lens for optimum light output



### Tamper-Resistant



Rating	Color	Standard	Night Light Two LED Night Lights	Alarm	Combination Switch 15A 120V Switch	Standard 3-Pack Three Devices per Pack	
	Almond	GFTRST15AL	GFTRST15ALNL	GFTRST15ALB	—	—	
	Black	GFTRST15BK	GFTRST15BKNL	GFTRST15BKB	—	—	
	Brown	GFTRST15	GFTRST15NL	GFTRST15B	—	—	
	Gray	GFTRST15GY	GFTRST15GYNL	GFTRST15GYB	—	—	
	Ivory	GFTRST15I	GFTRST15INL	GFTRST15IB	GFSPST15I	GFTRST15I3	
	Light Almond	GFTRST15LA	GFTRST15LANL	GFTRST15LAB	GFSPST15LA	GFTRST15LA3	
	Red	GFTRST15R	GFTRST15RNL	GFTRST15RB	—	—	
	White	GFTRST15W	GFTRST15WNL	GFTRST15WB	GFSPST15W	GFTRST15W3	
		Almond	GFTRST20AL	GFTRST20ALNL	GFTRST20ALB	—	—
		Black	GFTRST20BK	GFTRST20BKNL	GFTRST20BKB	—	—
Brown		GFTRST20	GFTRST20NL	GFTRST20B	—	—	
Gray		GFTRST20GY	GFTRST20GYNL	GFTRST20GYB	—	—	
Ivory		GFTRST20I	GFTRST20INL	GFTRST20IB	—	GFTRST20I3	
Light Almond		GFTRST20LA	GFTRST20LANL	GFTRST20LAB	—	GFTRST20LA3	
Red		GFTRST20R	GFTRST20RNL	GFTRST20RB	—	—	
White		GFTRST20W	GFTRST20WNL	GFTRST20WB	—	GFTRST20W3	



### Tamper-Resistant Weather Resistant



Rating	Color	Standard	Isolated Ground	
	Almond	GFTWRST15AL	GFTWRST15ALIG	
	Black	GFTWRST15BK	GFTWRST15BKIG	
	Brown	GFTWRST15	GFTWRST15IG	
	Gray	GFTWRST15GY	GFTWRST15GYIG	
	Ivory	GFTWRST15I	GFTWRST15IIG	
	Light Almond	GFTWRST15LA	GFTWRST15LAIG	
	Red	GFTWRST15R	GFTWRST15RIG	
	White	GFTWRST15W	GFTWRST15WIG	
		Almond	GFTWRST20AL	GFTWRST20ALIG
		Black	GFTWRST20BK	GFTWRST20BKIG
Brown		GFTWRST20	GFTWRST20IG	
Gray		GFTWRST20GY	GFTWRST20GYIG	
Ivory		GFTWRST20I	GFTWRST20IIG	
Light Almond		GFTWRST20LA	GFTWRST20LAIG	
Red		GFTWRST20R	GFTWRST20RIG	
White		GFTWRST20W	GFTWRST20WIG	

Note: See page Tech-10 for Weather and Tamper-Resistant descriptions.  
See section K for complete Hubbell GFCI offering.



## Recessed Receptacles and AV Wallboxes

Hubbell has solutions for residential environments where wire management is a concern. Products sit flush against the wall and are available in multiple colors, creating an aesthetically pleasing look. Large connectors and cables are held securely and bundled together neatly. Wires are concealed behind the wall and out of view. Snap Fit options are used for customizing your connections.

### Features

#### Receptacles

- Snap Fit is configurable to accommodate multiple connectors such as: HDMI, AV and Voice/Low-speed data
- Feed-through options allows you to make direct connections

#### Boxes

- Available in plastic or metal boxes to accommodate local building requirements



Recessed Receptacle with Feed-Through

Metal Wallbox with Divider



RR1510I



RR1512I



RR1514I



NSAV1I



NSAV2I

#### Recessed Receptacles

Color	15A 125V, Tamper-Resistant Duplex Receptacle		
	1-Gang	2-Gang with Feed-Through	2-Gang with Snap Fit
Ivory	<b>RR1510I</b>	<b>RR1512I</b>	<b>RR1514I</b>
Light Almond	<b>RR1510LA</b>	<b>RR1512LA</b>	<b>RR1514LA</b>
White	<b>RR1510W</b>	<b>RR1512W</b>	<b>RR1514W</b>

#### Feed-Through Plates

Color	1-Gang	2-Gang
Ivory	<b>NSAV1I*</b>	<b>NSAV2I*</b>
White	<b>NSAV1W*</b>	<b>NSAV2W*</b>

Note: \*Not UL Listed.



HBL985



HBL986



HBL989



RR1500

#### Two and Three Gangable AV Wallboxes

Box	Dimensions			Top Knockouts	Bottom Knockouts	Back Knockouts	Catalog Number
	Height	Width	Depth				
2-Gang, 2" KO, 54 in <sup>3</sup> capacity	4.21" (107)	4.06" (103)	4.0" (102)	(2) ½" (2) ½" – ¾" TKO*	(1) 1", 1¼", 1½" and 2"	(2) ½" – ¾" TKO	<b>HBL985</b>
3-Gang, 2" KO, 79 in <sup>3</sup> capacity	4.21" (107)	5.87" (149)	4.0" (102)	(3) ½" (3) ½" – ¾" TKO*	(1) ½", (1) ½" – ¾" TKO* (1) 1", 1¼", 1½" and 2"	(3) ½" – ¾" TKO	<b>HBL986</b>

Note: \*TKO (Tangential Knockout).

#### Wallbox

Description	Color	Catalog Number
2-Gang, nail-on box, thermoplastic	Blue	<b>RR1500</b>

#### Low Voltage AV Wallbox Partitions

Compatible With	Description	Quantity	Catalog Number
HBL985 and HBL986	Solid divider	1	<b>HBL989</b>
	With pass-through capability	1	<b>HBL989AVD</b>

Dimensions in Inches (mm)



## Decorator Frames and Modular Snap Fit Jacks

### Decorator Frames



Color	1-Gang, 1-Port	1-Gang, 2-Port	1-Gang, 3-Port	1-Gang, 4-Port	1-Gang, 6-Port	1-Gang, Adapter .406" (10.30) Dia. Hole*	1-Gang, Adapter Blank**
Black	<b>NS611BK</b>	<b>NS612BK</b>	<b>NS613BK</b>	<b>NS614BK</b>	<b>NS616BK</b>	—	<b>NS620BK</b>
Gray	<b>NS611GY</b>	<b>NS612GY</b>	<b>NS613GY</b>	<b>NS614GY</b>	<b>NS616GY</b>	—	<b>NS620GY</b>
Ivory	<b>NS611I</b>	<b>NS612I</b>	<b>NS613I</b>	<b>NS614I</b>	<b>NS616I</b>	<b>NS621I</b>	<b>NS620I</b>
Light Almond	<b>NS611LA</b>	<b>NS612LA</b>	<b>NS613LA</b>	<b>NS614LA</b>	<b>NS616LA</b>	<b>NS621LA</b>	<b>NS620LA</b>
White	<b>NS611W</b>	<b>NS612W</b>	<b>NS613W</b>	<b>NS614W</b>	<b>NS616W</b>	<b>NS621W</b>	<b>NS620W</b>

Note: \*For use with rotary dimmers or to pull through AV or telephone cable.  
 \*\*To fill an extra decorator opening or to create customized openings.

### Molded-In Voice/Low-Speed Data - Modular Snap Fit



Category 6 Jack



Category 5e Jack



USOC Jack

Color	Category 6 Jack		Category 5e Jack		USOC Jack
	(single)	(25 pack)	(single)	(25 pack)	(single)
Black	<b>NSJ6BK</b>	<b>NSJ6BK25</b>	<b>NSJ5EBK</b>	<b>NSJ5EBK25</b>	<b>NSJUBK</b>
Blue	<b>NSJ6B</b>	<b>NSJ6B25</b>	<b>NSJ5EB</b>	<b>NSJ5EB25</b>	<b>NSJUB</b>
Gray	<b>NSJ6GY</b>	<b>NSJ6GY25</b>	<b>NSJ5EGY</b>	<b>NSJ5EGY25</b>	<b>NSJUGY</b>
Green	<b>NSJ6GN</b>	<b>NSJ6GN25</b>	<b>NSJ5EGN</b>	<b>NSJ5EGN25</b>	<b>NSJUGN</b>
Ivory	<b>NSJ6I</b>	<b>NSJ6I25</b>	<b>NSJ5EI</b>	<b>NSJ5EI25</b>	<b>NSJUI</b>
Light Almond	<b>NSJ6LA</b>	<b>NSJ6LA25</b>	<b>NSJ5ELA</b>	<b>NSJ5ELA25</b>	<b>NSJULA</b>
Orange	<b>NSJ6OR</b>	<b>NSJ6OR25</b>	<b>NSJ5EOR</b>	<b>NSJ5EOR25</b>	<b>NSJUOR</b>
Red	<b>NSJ6R</b>	<b>NSJ6R25</b>	<b>NSJ5ER</b>	<b>NSJ5ER25</b>	<b>NSJUR</b>
White	<b>NSJ6W</b>	<b>NSJ6W25</b>	<b>NSJ5EW</b>	<b>NSJ5EW25</b>	<b>NSJUW</b>
Yellow	<b>NSJ6Y</b>	<b>NSJ6Y25</b>	<b>NSJ5EY</b>	<b>NSJ5EY25</b>	<b>NSJUY</b>

### HDMI 1.4 Connectors



HDMI Keystone Feed-Through for IMB and ISFB Series

Color	
Black	<b>SFHC14BK</b>
White	<b>SFHC14W</b>

### Audio/Video Connectors - Standard Bulkhead



Nickel F-Type Coupler Bulkhead, Female to Female



Gold F-Type Coupler Bulkhead, Female to Female



RCA Gold Pass Through, Female to Female, Red Interior



RCA Gold Pass Through, Female to Female, White Interior



RCA Gold Pass Through, Female to Female, Yellow Interior



RCA Gold Pass Through, Female to Female, Blue Interior



RCA Gold Pass Through, Female to Female, Green Interior

Color	Nickel F-Type Coupler Bulkhead, Female to Female	Gold F-Type Coupler Bulkhead, Female to Female	RCA Gold Pass Through, Female to Female, Red Interior	RCA Gold Pass Through, Female to Female, White Interior	RCA Gold Pass Through, Female to Female, Yellow Interior	RCA Gold Pass Through, Female to Female, Blue Interior	RCA Gold Pass Through, Female to Female, Green Interior
Black	<b>NSF70BK</b>	<b>SFFGBK</b>	<b>SFRCRFFBK</b>	<b>SFRCWFFBK</b>	<b>SFRCYFFBK</b>	<b>SFRCBFFBK</b>	<b>SFRCGNFFBK</b>
Gray	<b>NSF70GY</b>	<b>SFFGGY</b>	<b>SFRCRFFGY</b>	<b>SFRCWFFGY</b>	<b>SFRCYFFGY</b>	<b>SFRCBFFGY</b>	<b>SFRCGNFFGY</b>
Ivory	<b>NSF70I</b>	<b>SFFGEI</b>	<b>SFRCRFFEI</b>	<b>SFRCWFFEI</b>	<b>SFRCYFFEI</b>	<b>SFRCBFFEI</b>	<b>SFRCGNFFEI</b>
Light Almond	<b>NSF70LA</b>	<b>SFFGLA</b>	<b>SFRCRFFLA</b>	<b>SFRCWFFLA</b>	<b>SFRCYFFLA</b>	<b>SFRCBFFLA</b>	<b>SFRCGNFFLA</b>
White	<b>NSF70W</b>	<b>SFFGW</b>	<b>SFRCRFFW</b>	<b>SFRCWFFW</b>	<b>SFRCYFFW</b>	<b>SFRCBFFW</b>	<b>SFRCGNFFW</b>

### Audio/Video Connectors - Recessed



Gold F-Type Coupler Bulkhead, Female to Female



RCA Gold Pass Through, Female to Female, Red Interior



RCA Gold Pass Through, Female to Female, White Interior



RCA Gold Pass Through, Female to Female, Yellow Interior



RCA Gold Pass Through, Female to Female, Blue Interior



RCA Gold Pass Through, Female to Female, Green Interior



Blank Insert

Color	Gold F-Type Coupler Bulkhead, Female to Female	RCA Gold Pass Through, Female to Female, Red Interior	RCA Gold Pass Through, Female to Female, White Interior	RCA Gold Pass Through, Female to Female, Yellow Interior	RCA Gold Pass Through, Female to Female, Blue Interior	RCA Gold Pass Through, Female to Female, Green Interior	Blank Insert
Black	<b>SFGRFBK</b>	<b>SFRCRRBK</b>	<b>SFRCWRBK</b>	<b>SFRCYRBK</b>	<b>SFRCBRBK</b>	<b>SFRCGNRBK</b>	<b>SFSBBK10*</b>
Gray	<b>SFGRFGY</b>	<b>SFRCRRGY</b>	<b>SFRCWRGY</b>	<b>SFRCYRGY</b>	<b>SFRCBRGY</b>	<b>SFRCGNRGY</b>	<b>SFSBGY10*</b>
Ivory	<b>SFGRFEI</b>	<b>SFRCRREI</b>	<b>SFRCWREI</b>	<b>SFRCYREI</b>	<b>SFRCBREI</b>	<b>SFRCGNREI</b>	<b>SFSBEI10*</b>
Light Almond	<b>SFGRFLA</b>	<b>SFRCRRLA</b>	<b>SFRCWRLA</b>	<b>SFRCYRLA</b>	<b>SFRCBRLA</b>	<b>SFRCGNRLA</b>	<b>SFSBLA10*</b>
White	<b>SFGRFW</b>	<b>SFRCRRW</b>	<b>SFRCWRW</b>	<b>SFRCYRW</b>	<b>SFRCBRW</b>	<b>SFRCGNRW</b>	<b>SFSBW10*</b>

Note: \*Sold in a package of 10. Order 1 to receive a bag of 10 blanks.

Dimensions in Inches (mm)

## Molded-In Voice/Data/Video

### Features

Designed to complement decorator styling, these jacks offer voice and Cat. 5e devices to fit within a decorator wallplate.

- High impact-resistant thermoplastic frame
- Meets FCC part 68
- UL Listed 1863 - Communication Circuit Accessory and CSA Certified

### Molded-In Voice/Low-Speed Data

Description	Decorator Frame, One RJ11 Jack, 6-Position, 4-Conductor	Decorator Frame, One RJ11 Jack, 6-Position, 6-Conductor	Decorator Frame, Duplex RJ11 Jacks, 6-Position, 6-Conductor	Decorator Frame, One Cat. 5e One RJ11 Jack, 6-Position, 4-Conductor
Termination	Screw Terminations	Screw Terminations	Screw Terminations	110 Punch-Down
Color				
Black	<b>NS770BK</b>	—	—	<b>NS784BK</b>
Brown	<b>NS770</b>	<b>NS771</b>	—	<b>NS784</b>
Gray	<b>NS770GY</b>	—	—	<b>NS784GY</b>
Ivory	<b>NS770I</b>	<b>NS771I</b>	<b>NS772I</b>	<b>NS784I</b>
Light Almond	<b>NS770LA</b>	<b>NS771LA</b>	<b>NS772LA</b>	<b>NS784LA</b>
White	<b>NS770W</b>	<b>NS771W</b>	<b>NS772W</b>	<b>NS784W</b>

### Features

Coaxial video and combination jacks complement multimedia needs in a 1-gang decorator opening.

- High impact-resistant thermoplastic frame
- Jacks meet FCC part 68
- UL Listed 1863 - Communication Circuit Accessory and CSA Certified

### Molded-In Voice/Low-Speed Data

Description	Decorator Frame, Single F-Type Coupler Bulkhead, Female to Female	Decorator Frame, Duplex F-Type Coupler Bulkhead, Female to Female	Decorator Frame, One RJ11 Jack, 6-Position, 4-Conductor, One F-Type Coupler Bulkhead, Female to Female	Decorator Frame, One Cat. 5e One F-Type Coupler Bulkhead, Female to Female
Termination	Screw Terminations	Screw Terminations	Screw Terminations	110 Punch-Down
Color				
Black	—	—	—	<b>NS785BK</b>
Brown	—	—	—	<b>NS785</b>
Gray	—	—	—	<b>NS785GY</b>
Ivory	<b>NS780I</b>	<b>NS782I</b>	<b>NS783I</b>	<b>NS785I</b>
Light Almond	<b>NS780LA</b>	<b>NS782LA</b>	<b>NS783LA</b>	<b>NS785LA</b>
White	<b>NS780W</b>	<b>NS782W</b>	<b>NS783W</b>	<b>NS785W</b>

Dimensions in Inches (mm)



## Plastic and Metal Wallplates

### More Style In a Snap

Snap-on wallplates offer a clean, elegant look that can be installed in seconds. Screw the mounting plate onto the device and press the snap-on cover into place. Snaps securely hold the cover to the sub-plate.

- Clean, elegant look
- No visible screws
- Snap-on cover plate completely covers sub-plate eliminating dirt build-up around the edges
- Snap-on cover plate hides any paint or scratches on sub-plate caused during installation
- Appearance is consistent with other Hubbell wallplates
- Meets UL and CSA standards



### Snap-On Wallplates

Color	1-Gang, 1-Decorator	1-Gang, 1-Duplex	1-Gang, 1-Toggle	2-Gang, 2-Decorator	2-Gang, 2-Toggle	3-Gang, 3-Decorator	3-Gang, 3-Toggle	4-Gang, 4-Decorator
Ivory	<b>NPS26I</b>	<b>NPS8I</b>	<b>NPS1I</b>	<b>NPS262I</b>	<b>NPS2I</b>	<b>NPS263I</b>	<b>NPS3I</b>	<b>NPS264I</b>
Light Almond	<b>NPS26LA</b>	<b>NPS8LA</b>	<b>NPS1LA</b>	<b>NPS262LA</b>	<b>NPS2LA</b>	<b>NPS263LA</b>	<b>NPS3LA</b>	<b>NPS264LA</b>
White	<b>NPS26W</b>	<b>NPS8W</b>	<b>NPS1W</b>	<b>NPS262W</b>	<b>NPS2W</b>	<b>NPS263W</b>	<b>NPS3W</b>	<b>NPS264W</b>

### Decorator, Screw-On, Standard, Nylon Wallplates

Color	1-Gang, 1-Decorator	2-Gang, 2-Decorator	3-Gang, 3-Decorator	4-Gang, 4-Decorator	5-Gang, 5-Decorator	6-Gang, 6-Decorator
Black	<b>NP26BK</b>	<b>NP262BK</b>	<b>NP263BK</b>	<b>NP264BK</b>	<b>NP265BK</b>	<b>NP266BK</b>
Brown	<b>NP26</b>	<b>NP262</b>	<b>NP263</b>	<b>NP264</b>	<b>NP265</b>	<b>NP266</b>
Gray	<b>NP26GY</b>	<b>NP262GY</b>	<b>NP263GY</b>	<b>NP264GY</b>	<b>NP265GY</b>	<b>NP266GY</b>
Ivory	<b>NP26I</b>	<b>NP262I</b>	<b>NP263I</b>	<b>NP264I</b>	<b>NP265I</b>	<b>NP266I</b>
Light Almond	<b>NP26LA</b>	<b>NP262LA</b>	<b>NP263LA</b>	<b>NP264LA</b>	<b>NP265LA</b>	<b>NP266LA</b>
White	<b>NP26W</b>	<b>NP262W</b>	<b>NP263W</b>	<b>NP264W</b>	<b>NP265W</b>	<b>NP266W</b>

### Decorator, Screw-On, Mid-Size, Nylon Wallplates

Color	1-Gang, 1-Decorator	2-Gang, 2-Decorator	3-Gang, 3-Decorator	4-Gang, 4-Decorator	5-Gang, 5-Decorator	6-Gang, 6-Decorator
Black	<b>NPJ26BK</b>	<b>NPJ262BK</b>	<b>NPJ263BK</b>	<b>NPJ264BK</b>	—	—
Brown	<b>NPJ26</b>	<b>NPJ262</b>	<b>NPJ263</b>	<b>NPJ264</b>	—	—
Gray	<b>NPJ26GY</b>	<b>NPJ262GY</b>	<b>NPJ263GY</b>	<b>NPJ264GY</b>	—	—
Ivory	<b>NPJ26I</b>	<b>NPJ262I</b>	<b>NPJ263I</b>	<b>NPJ264I</b>	—	—
Light Almond	<b>NPJ26LA</b>	<b>NPJ262LA</b>	<b>NPJ263LA</b>	<b>NPJ264LA</b>	—	—
White	<b>NPJ26W</b>	<b>NPJ262W</b>	<b>NPJ263W</b>	<b>NPJ264W</b>	—	—

### Decorator, Screw-On, Mid-Size, Metal Wallplates

Material	1-Gang, 1-Decorator	2-Gang, 2-Decorator	3-Gang, 3-Decorator	4-Gang, 4-Decorator	5-Gang, 5-Decorator	6-Gang, 6-Decorator
Brass	<b>SB26</b>	<b>SB262</b>	—	—	—	—
Brass Plated	<b>SBP26</b>	<b>SBP262</b>	<b>SBP263</b>	—	—	—
Chrome	<b>SCH26</b>	<b>SCH262</b>	—	—	—	—
S/S 302/304	<b>SS26</b>	<b>SS262</b>	<b>SS263</b>	<b>SS264</b>	<b>SS265</b>	<b>SS266</b>
S/S 430	<b>SS26L</b>	<b>SS262L</b>	—	—	—	—

Note: See section N for complete selection of wallplates.

## Combination Wallplates

### Combination, Nylon, Standard Wallplates

Color	2-Gang, 1-Toggle 1-Decorator	2-Gang, 1-Duplex, 1-Decorator	2-Gang, 1-Blank Box Mount 1-Decorator	3-Gang, 2-Toggle 1-Decorator	3-Gang, 1-Toggle 2-Decorator	4-Gang, 3-Toggle 1-Decorator	4-Gang, 2-Toggle 2-Decorator
Black	<b>NP126BK</b>	<b>NP826BK</b>	<b>NP1326BK</b>	<b>NP226BK</b>	<b>NP1262BK</b>	<b>NP326BK</b>	<b>NP2262BK</b>
Brown	<b>NP126</b>	<b>NP826</b>	<b>NP1326</b>	<b>NP226</b>	<b>NP1262</b>	<b>NP326</b>	<b>NP2262</b>
Gray	<b>NP126GY</b>	<b>NP826GY</b>	<b>NP1326GY</b>	<b>NP226GY</b>	<b>NP1262GY</b>	<b>NP326GY</b>	<b>NP2262GY</b>
Ivory	<b>NP126I</b>	<b>NP826I</b>	<b>NP1326I</b>	<b>NP226I</b>	<b>NP1262I</b>	<b>NP326I</b>	<b>NP2262I</b>
Light Almond	<b>NP126LA</b>	<b>NP826LA</b>	<b>NP1326LA</b>	<b>NP226LA</b>	<b>NP1262LA</b>	<b>NP326LA</b>	<b>NP2262LA</b>
White	<b>NP126W</b>	<b>NP826W</b>	<b>NP1326W</b>	<b>NP226W</b>	<b>NP1262W</b>	<b>NP326W</b>	<b>NP2262W</b>

### Combination, Nylon, Mid-Size Wallplates

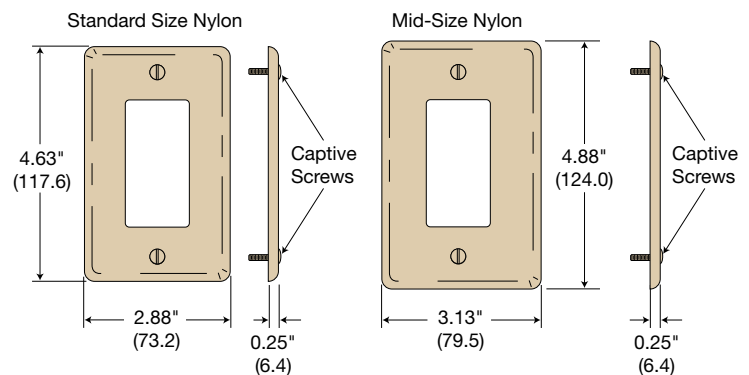
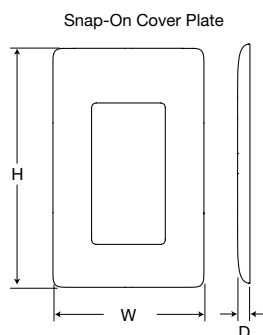
Color	2-Gang, 1-Toggle 1-Decorator	2-Gang, 1-Duplex, 1-Decorator	2-Gang, 1-Blank Box Mount 1-Decorator	3-Gang, 2-Toggle 1-Decorator	3-Gang, 1-Toggle 2-Decorator	4-Gang, 3-Toggle 1-Decorator	4-Gang, 2-Toggle 2-Decorator
Black	<b>NPJ126BK</b>	<b>NPJ826BK</b>	—	<b>NPJ226BK</b>	—	—	—
Brown	<b>NPJ126</b>	<b>NPJ826</b>	<b>NPJ1326</b>	<b>NPJ226</b>	—	—	—
Gray	<b>NPJ126GY</b>	<b>NPJ826GY</b>	—	<b>NPJ226GY</b>	—	—	—
Ivory	<b>NPJ126I</b>	<b>NPJ826I</b>	<b>NPJ1326I</b>	<b>NPJ226I</b>	—	—	—
Light Almond	<b>NPJ126LA</b>	<b>NPJ826LA</b>	<b>NPJ1326LA</b>	<b>NPJ226LA</b>	—	—	—
White	<b>NPJ126W</b>	<b>NPJ826W</b>	<b>NPJ1326W</b>	<b>NPJ226W</b>	—	—	—

### Combination, Standard, Metal Wallplates

Material	2-Gang, 1-Toggle 1-Decorator	2-Gang, 1-Duplex, 1-Decorator	2-Gang, 1-Blank Strap Mount 1-Decorator	3-Gang, 2-Toggle 1-Decorator	3-Gang, 1-Toggle 2-Decorator	4-Gang, 3-Toggle 1-Decorator	4-Gang, 2-Toggle 2-Decorator
Brass	<b>SB126</b>	<b>SB826</b>	—	—	—	—	—
Brass Plated	<b>SBP126</b>	—	—	—	—	—	—
Chrome	—	—	—	—	—	—	—
SS 302/304	<b>SS126</b>	<b>SS826</b>	<b>SS1426</b>	<b>SS226</b>	—	<b>SS326</b>	—
SS 430	<b>SS126L</b>	—	—	—	—	—	—

Note: See section N for complete selection of wallplates.

## Dimensions



Gang	Height (H)	Width (W)	Depth (D)
1	4.75" (120.6)	3.00" (76.2)	.25" (6.2)
2	4.75" (120.6)	4.81" (122.2)	.25" (6.2)
3	4.75" (120.6)	6.62" (168.2)	.25" (6.2)
4	4.75" (120.6)	8.44" (214.3)	.25" (6.2)

Dimensions in Inches (mm)



## Toggle Switches

### Features




Standard toggle switches provide the basic ON/OFF control for home lighting and appliances.

- Tough thermoplastic with ultrasonically welded cover and base
- Elongated strap for easier wall box mounting
- Quiet snap action mechanism
- Multiple-drive Slot/Phillips/Robertson head screws
- Hi-visibility yellow base for easy installation
- Operating temperature: -20°C to 60°C
- UL Listed, CSA Certified







RS115W

### Single Pole Toggle Switches

Description	Single Pole	Single Pole	Single Pole, Illuminated
Termination	Grounding, Push and Side Wire	Self-Grounding, Push and Side Wire	Self-Grounding, Push and Side Wire
Rating	15A 120V AC	15A 120V AC	15A 120V AC
			
Color			
Clear	—	—	RS115ILC
Black	RS115BK	—	—
Brown	RS115	RS115S	—
Ivory	RS115I	RS115SI	RS115ILI*
Light Almond	RS115LA	RS115SLA	RS115ILLA*
White	RS115W	RS115SW	RS115ILW*

Note: \*Frame is clear and illuminates, toggle is colored. Does not require a neutral wire.

### Three and Four Way Toggle Switches

Description	Three Way	Three Way	Three Way, Illuminated	Four Way
Termination	Grounding, Push and Side Wire	Self-Grounding, Push and Side Wire	Self-Grounding, Push and Side Wire	Self-Grounding, Side Wire
Rating	15A 120V AC	15A 120V AC	15A 120V AC	15A 120V AC
				
Color				
Clear	—	—	RS315ILC	—
Black	RS315BK	—	—	—
Brown	RS315	RS315S	—	RS415
Ivory	RS315I	RS315SI	RS315ILI*	RS415I
Light Almond	RS315LA	RS315SLA	RS315ILLA*	RS415LA
White	RS315W	RS315SW	RS315ILW*	RS415W

Note: \*Frame is clear and illuminates, toggle is colored. Does not require a neutral wire.

Dimensions in Inches (mm)

## Combination Switches/Devices

### Features

Mini-toggles provide for multiple switches in a compact single gang. Maximize control while maintaining function and appearance.

- Low profile, less than 1 inch
- Self-grounding feature is standard
- Combination devices provide compact switches in a single-gang opening
- Smooth toggle action
- Multiple-drive Slot/Phillips/Robertson head screws
- Hi-visibility yellow base for easy installation
- Operating temperature: -20°C to 60°C
- UL Listed, CSA Certified



RC108I

### Combination Toggle Switches/Devices

Description	Two (2) Single Pole Switches	Single Pole Switch, Tamper-Resistant, 2 Pole, 3 Wire, Receptacle	Single Pole Switch, 2 Pole, 3 Wire, Receptacle	Single Pole Switch, Pilot Light, Clear Lens, Amber Neon Bulb*
Termination	Self-Grounding, Side Wire	Self-Grounding, Side Wire	Self-Grounding, Side Wire	Self-Grounding, Side Wire
Rating	15A 120V AC	15A 120V (switch) 15A 125V (recept.) NEMA 5-15R	15A 120V (switch) 15A 125V (recept.) NEMA 5-15R	15A 120V AC
Color	 Brown <b>RC101</b> Ivory <b>RC101I</b> Light Almond <b>RC101LA</b> White <b>RC101W</b>	 Brown <b>RC108TR</b> Ivory <b>RC108ITR</b> Light Almond <b>RC108LATR</b> White <b>RC108WTR</b>	 Brown <b>RC108</b> Ivory <b>RC108I</b> Light Almond <b>RC108LA</b> White <b>RC108W</b>	 Brown <b>RC109</b> Ivory <b>RC109I</b> Light Almond <b>RC109LA</b> White <b>RC109W</b>

Note: See page Tech-10 for Tamper-Resistant description.  
\*Neutral required for pilot light, see page X-4 for wiring diagram.

### Combination Toggle Switches/Devices

Description	Single Pole and Three Way Switch	Two (2) Three Way Switches	Three Way Switch, Tamper-Resistant, 2 Pole, 3 Wire, Receptacle	Three Way Switch, 2 Pole, 3 Wire, Receptacle	Three Way Switch, Pilot Light, Clear Lens, Amber Neon Bulb*
Termination	Self-Grounding, Side Wire	Self-Grounding, Side Wire	Self-Grounding, Side Wire	Self-Grounding, Side Wire	Self-Grounding, Side Wire
Rating	15A 120V AC	15A 120V AC	15A 120V (switch) 15A 125V (recept.) NEMA 5-15R	15A 120V (switch) 15A 125V (recept.) NEMA 5-15R	15A 120V AC
Color	 Brown <b>RC103</b> Ivory <b>RC103I</b> Light Almond <b>RC103LA</b> White <b>RC103W</b>	 Brown <b>RC303</b> Ivory <b>RC303I</b> Light Almond <b>RC303LA</b> White <b>RC303W</b>	 Brown <b>RC308TR</b> Ivory <b>RC308ITR</b> Light Almond <b>RC308LATR</b> White <b>RC308WTR</b>	 Brown <b>RC308</b> Ivory <b>RC308I</b> Light Almond <b>RC308LA</b> White <b>RC308W</b>	 Brown <b>RC309</b> Ivory <b>RC309I</b> Light Almond <b>RC309LA</b> White <b>RC309W</b>

Note: See page Tech-10 for Tamper-Resistant description.  
\*Neutral required for pilot light, see page X-4 for wiring diagram.

Dimensions in Inches (mm)



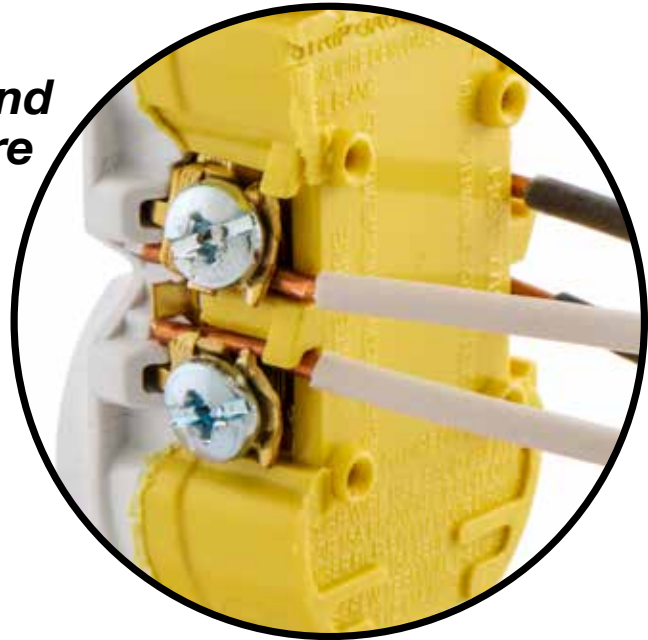
## XClamp and Duplex Receptacles

### Features

- Eliminates the need to loop the wire
- External back-wire clamp for fast and easy installation of 15A & 20A branch circuits in residential applications
- Compression plates maximize holding power to provide a stronger, more secure connection
- Terminate up to 8 wires
- Accommodates #12 & #14 AWG wire
- Break-off tabs for switched receptacle applications
- Tamper-resistant shutter complies with NEC®

## Best Solution for Residential 15A & 20A Branch Circuit Wiring

**Fast and Secure**



External Clamping

**1** Strip the wire

**2** Insert the wire

**3** Clamp the connection



### XClamp Duplex Receptacles

Description	Color	Catalog Number
Tamper-Resistant, 15A 125V, 2 Pole, 3 Wire Grounding, 20A Circuit Rated	Ivory Light Almond White	<b>RR15SITRX</b> <b>RR15SLATRX</b> <b>RR15SWTRX</b>

### Listings

UL listed to UL498 File No. E2186  
Certified to CSA C22.2, No. 42  
NEMA® WD-6 Compliant

### Duplex Receptacles, 2 Pole, 3 Wire



Description	Tamper-Resistant, Quick Thread	Standard	Weather and Tamper-Resistant	Tamper-Resistant	Standard
	Termination	Self-Grounding, Push and Side Wire	Grounding, Push and Side Wire	Self-Grounding, Push and Side Wire	Self-Grounding, Push and Side Wire
Rating	15A 125V NEMA 5-15R	15A 125V NEMA 5-15R	15A 125V NEMA 5-15R	15A 125V NEMA 5-15R	15A 125V NEMA 5-15R
Black	<b>RR15QBKTR</b>	<b>RR15BK</b>	<b>RR15SBKWRTR</b>	<b>RR15SBKTR</b>	<b>RR15SBK</b>
Brown	<b>RR15QTR</b>	<b>RR15</b>	<b>RR15SWRTR</b>	<b>RR15STR</b>	<b>RR15S</b>
Gray	—	—	<b>RR15SGYWRTR</b>	—	—
Ivory	<b>RR15QITR</b>	<b>RR15I</b>	<b>RR15SIWRTR</b>	<b>RR15SITR</b>	<b>RR15SI</b>
Light Almond	<b>RR15QLATR</b>	<b>RR15LA</b>	<b>RR15SLAWRTR</b>	<b>RR15SLATR</b>	<b>RR15SLA</b>
White	<b>RR15QWTR</b>	<b>RR15W</b>	<b>RR15SWWRTR</b>	<b>RR15SWTR</b>	<b>RR15SW</b>
Description	Tamper-Resistant, Quick Thread	Tamper-Resistant,	Tamper-Resistant, Without Ears*	Standard, Without Ears*	
Termination	Eight Push Wire Holes Only #14 AWG	Eight Push Wire Holes Only #14 AWG	Eight Push Wire Holes Only #14 AWG	Eight Push Wire Holes Only #14 AWG	
Rating	15A 125V NEMA 5-15R	15A 125V NEMA 5-15R	15A 125V NEMA 5-15R	15A 125V NEMA 5-15R	
Black	<b>RR15EQBKTR</b>	<b>RR15EBKTR</b>	—	—	
Brown	<b>RR15EQTR</b>	<b>RR15ETR</b>	<b>RR15KTR</b>	<b>RR15K</b>	
Gray	—	<b>RR15EGYTR</b>	—	—	
Ivory	<b>RR15EQITR</b>	<b>RR15EITR</b>	<b>RR15KITR</b>	<b>RR15KI</b>	
Light Almond	<b>RR15EQLATR</b>	<b>RR15ELATR</b>	<b>RR15KLATR</b>	—	
White	<b>RR15EQWTR</b>	<b>RR15EWTR</b>	<b>RR15KWTR</b>	<b>RR15KW</b>	

Note: See page Tech-10 for Weather and Tamper-Resistant descriptions.  
\*100 per case, bulk packed. Mounting screws inserted into strap.



## Singles, Range and Dryer Power Receptacles and Plugs

### Single Receptacles, 2 Pole, 3 Wire

	Weather and Tamper-Resistant	Tamper-Resistant	Standard	Weather Resistant	Standard
Description	Weather and Tamper-Resistant	Tamper-Resistant	Standard	Weather Resistant	Standard
Termination	Self-Grounding, Side Wire	Self-Grounding, Side Wire	Self-Grounding, Side Wire	Self-Grounding, Side Wire	Self-Grounding, Side Wire
Rating	15A 125V NEMA 5-15R	15A 125V NEMA 5-15R	15A 125V NEMA 5-15R	15A 250V NEMA 6-15R	15A 250V NEMA 6-15R
Black	<b>RR151BKWRTR</b>	<b>RR151BKTR</b>	<b>RR151BK</b>	<b>RR155BKWR</b>	<b>RR155BK</b>
Brown	<b>RR151WRTR</b>	<b>RR151TR</b>	<b>RR151</b>	<b>RR155WR</b>	<b>RR155</b>
Gray	<b>RR151GYWRTR</b>	<b>RR151GYTR</b>	<b>RR151GY</b>	<b>RR155GYWR</b>	<b>RR155GY</b>
Ivory	<b>RR151IWRTR</b>	<b>RR151ITR</b>	<b>RR151I</b>	<b>RR155IWR</b>	<b>RR155I</b>
Light Almond	<b>RR151LAWRTR</b>	<b>RR151LATR</b>	<b>RR151LA</b>	<b>RR155LAWR</b>	<b>RR155LA</b>
White	<b>RR151WWRTR</b>	<b>RR151WTR</b>	<b>RR151W</b>	<b>RR155WWR</b>	<b>RR155W</b>

	Weather and Tamper-Resistant	Tamper-Resistant	Standard	Weather Resistant	Standard
Description	Weather and Tamper-Resistant	Tamper-Resistant	Standard	Weather Resistant	Standard
Termination	Self-Grounding, Side Wire	Self-Grounding, Side Wire	Self-Grounding, Side Wire	Self-Grounding, Side Wire	Self-Grounding, Side Wire
Rating	20A 125V NEMA 5-20R	20A 125V NEMA 5-20R	20A 125V NEMA 5-20R	20A 250V NEMA 6-20R	20A 250V NEMA 6-20R
Black	<b>RR201BKWRTR</b>	<b>RR201BKTR</b>	<b>RR201BK</b>	<b>RR205BKWR</b>	<b>RR205BK</b>
Brown	<b>RR201WRTR</b>	<b>RR201TR</b>	<b>RR201</b>	<b>RR205WR</b>	<b>RR205</b>
Gray	<b>RR201GYWRTR</b>	<b>RR201GYTR</b>	<b>RR201GY</b>	<b>RR205GYWR</b>	<b>RR205GY</b>
Ivory	<b>RR201IWRTR</b>	<b>RR201ITR</b>	<b>RR201I</b>	<b>RR205IWR</b>	<b>RR205I</b>
Light Almond	<b>RR201LAWRTR</b>	<b>RR201LATR</b>	<b>RR201LA</b>	<b>RR205LAWR</b>	<b>RR205LA</b>
White	<b>RR201WWRTR</b>	<b>RR201WTR</b>	<b>RR201W</b>	<b>RR205WWR</b>	<b>RR205W</b>

Note: See page Tech-10 for Weather and Tamper-Resistant descriptions.



### Range and Dryer Power Receptacles

	30A 125/250V NEMA 14-30R UL/CSA	50A 125/250V NEMA 14-50R UL/CSA	30A 125/250V NEMA 10-30R UL/CSA	50A 125/250V NEMA 10-50R UL/CSA
Description	Flush Mount for 1- or 2-Gang Box	Flush Mount for 1- or 2-Gang Box	Flush Mount for 1- or 2-Gang Box	Flush Mount for 1- or 2-Gang Box
Rating	30A 125/250V 3 Pole, 4 Wire with Ground	50A 125/250V 3 Pole, 4 Wire with Ground	30A 125/250V 3 Pole, 3 Wire without Ground	50A 125/250V 3 Pole, 3 Wire without Ground
Black	<b>RR430F</b>	<b>RR450F</b>	<b>RR330F*</b>	<b>RR350F*</b>
White	<b>RR430FW</b>	<b>RR450FW</b>	—	—

	30A 125/250V NEMA 14-30R UL/CSA	50A 125/250V NEMA 14-50R UL/CSA	30A 125/250V NEMA 10-30R UL/CSA	50A 125/250V NEMA 10-50R UL/CSA
Description	Surface Mount	Surface Mount	Surface Mount	Surface Mount
Rating	30A 125/250V 3 Pole, 4 Wire with Ground	50A 125/250V 3 Pole, 4 Wire with Ground	30A 125/250V 3 Pole, 3 Wire without Ground	50A 125/250V 3 Pole, 3 Wire without Ground
Black	<b>RR430</b>	<b>RR450</b>	<b>RR330*</b>	<b>RR350*</b>

	30A 125/250V NEMA 14-30R UL/CSA	50A 125/250V NEMA 14-50R UL/CSA	30A 125/250V NEMA 10-30R UL/CSA	50A 125/250V NEMA 10-50R UL/CSA
Description	Panel Mount	Panel Mount	Panel Mount	Panel Mount
Rating	30A 125/250V 3 Pole, 4 Wire with Ground	50A 125/250V 3 Pole, 4 Wire with Ground	—	—
Black	<b>RR430PM</b>	<b>RR450PM</b>	—	—

Note: \*For replacement use only.



### Range and Dryer Power Angled Plugs

	30A 125/250V NEMA 14-30R UL/CSA	50A 125/250V NEMA 14-50R UL/CSA	30A 125/250V NEMA 10-30R UL/CSA	50A 125/250V NEMA 10-50R UL/CSA
Description	With Interchangeable Blades for 30 or 50 Amp		With Interchangeable Blades for 30 or 50 Amp	
Rating	30/50A 125/250V 3 Pole, 4 Wire with Ground		30/50A 125/250V 3 Pole, 3 Wire without Ground	
Black	<b>RR435P</b>		<b>RR335P</b>	





## Special Use Products



RR151CHWTR



### Special Use Products



Description	Color	Tamper-Resistant	Tamper-Resistant
Clock Hanger/Recessed Single Receptacle, Tamper-Resistant, 2 pole, 3 wire, grounding, side wire terminations	Brass	<b>RR151CHBSTR</b>	<b>RR201CHBSTR</b>
	Stainless Steel	<b>RR151CHSSTR</b>	<b>RR201CHSSTR</b>
	Ivory (Nylon)	<b>RR151CHITR</b>	<b>RR201CHITR</b>
	White (Nylon)	<b>RR151CHWTR</b>	<b>RR201CHWTR</b>
Recessed Duplex Receptacle, Tamper-Resistant, 2 pole, 3 wire, grounding, side wire terminations	Ivory	<b>RR151OI</b>	—
	Light Almond	<b>RR151OLA</b>	—
	White	<b>RR151OW</b>	—
JLOAD® Multimedia Outlet, Provides power, Cat. 5e and coaxial in a single gang box. Requires RJ600 Box. Includes decorator frame, one Cat. 5e, one F-connector and one power receptacle 125V with voltage dividers*.	Black	<b>RJ650BKTR</b>	<b>RJ620BKTR</b>
	Gray	<b>RJ650GYTR</b>	<b>RJ620GYTR</b>
	Ivory	<b>RJ650ITR</b>	<b>RJ620ITR</b>
	Light Almond	<b>RJ650LATR</b>	<b>RJ620LATR</b>
	White	<b>RJ650WTR</b>	<b>RJ620WTR</b>
JLOAD® Multimedia Outlet, Includes decorator frame with two open ports for custom configuration and one power receptacle 125V with voltage dividers*.	Black	<b>RJ65BKTR</b>	<b>RJ62BKTR</b>
	Gray	<b>RJ65GYTR</b>	<b>RJ62GYTR</b>
	Ivory	<b>RJ65ITR</b>	<b>RJ62ITR</b>
	Light Almond	<b>RJ65LATR</b>	<b>RJ62LATR</b>
	White	<b>RJ65WTR</b>	<b>RJ62WTR</b>
JLOAD® Multimedia Box, 3 inches deep with seven 1/2-inch knockouts, non-metallic sheathed cable clamps on each side. Screw in mounting to stud.	Steel	<b>RJ600</b>	<b>RJ600</b>



RR1510W



RJ650BKTR



Dividers



RJ600



RDS50

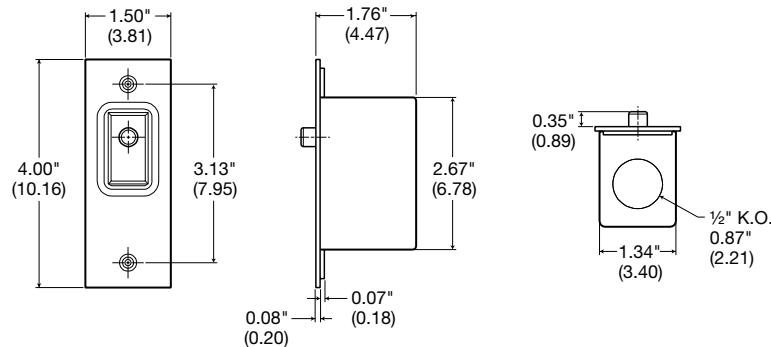
Note: \*Dividers provided for use with the RJ600, RF515 series and RU200 series boxes. RF408 required for use with the RF400 series floor boxes. See page X-10 for snap fit inserts. See pages X-21 to X-26 for floor boxes and under cabinet power distribution options. See page Tech-10 for Tamper-Resistant description.

### Door Switch with Cover Plate and Box

Description	"ON" when Door is Open	"OFF" when Door is Open
Rating	3A 125V AC	3A 125V AC
Zinc Plated Steel	<b>RDS50*</b>	<b>RDS30*</b>

Note: \*Not UL Listed.

### Dimensions



RS100W



RS101W

### In-Line Cord Switches

Description	Mini For Use with Flat Lamp Cord	Heavy Duty
Rating	6A 125V AC	6A 125V AC, 1/6 HP
Wire	#18 AWG SPT 1 and SPT 2	#18 to #16 AWG SPT 1 and SPT 2
Ivory	—	<b>RS101I</b>
White	<b>RS100W</b>	<b>RS101W</b>

Dimensions in Inches (mm)

## Dimmers and Fan Speed Controls

### Features

Standard rocker, toggle, slide and rotary styles for any interior design.

- Optimum CFL and LED Control
- Low End Adjustment for Fine Tuning
- Decorator and Traditional Toggle Styling Available
- No Neutral Required

### CFL/LED Dimmers

Description	Rocker Dimmer	Toggle Dimmer
Rating	CFL/LED 150W Incandescent/ Halogen 600W 120V AC, 60Hz	CFL/LED 150W Incandescent/ Halogen 600W 120V AC, 60Hz
Termination	Single Pole/Three Way	Single Pole/Three Way
Ivory	<b>RDVCL153PI</b>	<b>RAYCL153PI</b>
Light Almond	<b>RDVCL153PLA</b>	<b>RAYCL153PLA</b>
White	<b>RDVCL153PW</b>	<b>RAYCL153PW</b>

### Toggle Incandescent Preset Dimmers

Description	Side Slide Adjustment with Wire Leads	Side Slide Adjustment with Wire Leads	Side Slide Adjustment with Terminal Screws	Side Slide Adjustment with Terminal Screws
Termination	Single Pole	Three Way	Single Pole	Three Way
Rating	1000W 120V AC	1000W 120V AC	600W 120V AC	600W 120V AC
Ivory	<b>RAY10PI</b>	<b>RAY103PI</b>	<b>RAY600PI</b>	<b>RAY603PI</b>
Light Almond	<b>RAY10PLA</b>	<b>RAY103PLA</b>	<b>RAY600PLA</b>	<b>RAY603PLA</b>
White	<b>RAY10PW</b>	<b>RAY103PW</b>	<b>RAY600PW</b>	<b>RAY603PW</b>



RDVCL153PW

### Rotary Incandescent Dimmers

Description	ON/OFF Dimmer	Push ON/OFF Dimmer Ivory and White Knobs Provided	Push ON/OFF Dimmer Ivory and White Knobs Provided
Termination	Single Pole	Single Pole	Three Way
Rating	600W 120V AC	600W 120V AC	600W 120V AC
Ivory	<b>RD600RI</b>	—	—
White	<b>RD600RW</b>	—	—
Ivory/White	—	<b>RD600PDK</b>	<b>RD603PDK</b>

### Replacement Knobs

2 Piece Kit Replacement Knobs	—	—	—	<b>RRKDK</b>
----------------------------------	---	---	---	--------------



RAY600PW

### Fan Speed Controls

Description	Toggle 3-Speed	Combination Toggle 3-Speed/Dimmer	Rotary ON/OFF 3-Speed Knobs Provided	Rotary Variable Speed
Termination	Single Pole or Three Way	Single Pole	Single Pole	Single Pole
Rating	1.5A 120V AC	300W 1.5A 120V AC	1.5A 120V AC	5A 120V AC
Ivory	<b>RAYFSQFI</b>	<b>RAY2LFSQI</b>	—	<b>RFS5I</b>
Light Almond	<b>RAYFSQFLA</b>	<b>RAY2LFSQLA</b>	—	<b>RFS5LA</b>
White	<b>RAYFSQFW</b>	<b>RAY2LFSQW</b>	—	<b>RFS5W</b>
Ivory/White	—	—	<b>RFSQ2FDK</b>	—

### Replacement Knobs

Rotary Fan Control Replacement Knobs	—	—	<b>R28032406</b>	—	<b>R28032401</b>	—
---	---	---	------------------	---	------------------	---



RFSQ2FDK

### Slide Dimmers, Slide to OFF

Description	Incandescent Slide to OFF	Incandescent Omni Slide Button
Termination	Single Pole	Single Pole/Three Way
Rating	600W 120V AC	600W 120V AC
Ivory	<b>RS600I</b>	<b>RS613PI</b>
Light Almond	<b>RS600LA</b>	<b>RS613PLA</b>
White	<b>RS600W</b>	<b>RS613PW</b>



R28032401

R28032406



RS613PW

### Fan Speed Controls, 3 Speed

Description	Rocker Slide Adjustment	Slide Control Slide to OFF	Combination Slide Dimmer, Incandescent
Termination	Single Pole/Three Way	Single Pole	Single Pole
Rating	1.5A 120V AC	1.5A 120V AC	300W 1.5A 120V AC
Ivory	<b>RDVFSQFI</b>	<b>RSFSQFI</b>	<b>RS2LFSQI</b>
Light Almond	<b>RDVFSQFLA</b>	<b>RSFSQFLA</b>	<b>RS2LFSQLA</b>
White	<b>RDVFSQFW</b>	<b>RSFSQFW</b>	<b>RS2LFSQW</b>

### Replacement Knobs

Slide Control Replacement Knobs	—	—	<b>RSKI</b>	<b>RSKLA</b>	<b>RSKW</b>
------------------------------------	---	---	-------------	--------------	-------------



RS2LFSQW



## Wall Switches and Digital Timer



WS2000W



WS1000NW



WS1020W



DT5030W



DT2000W

### Passive Infrared Wall Switches

- Passive infrared technology
- Photozell (WS2000 series)
- No neutral required
- 1200 sq. ft. coverage
- Steel mounting strap
- Compatible with most LED and CFL
- CEC Title 24 and ASHRAE 90.1 compliant
- cULus

Description	Color	Standard	with Nightlight	with Neutral	with Nightlight and Neutral
Manual adjusting; selectable manual/auto-ON operation; dual-voltage 120/277V AC; 3-way capable.	Gray	<b>WS2000GY</b>	<b>WS2000NGY</b>	—	—
	Ivory	<b>WS2000I</b>	<b>WS2000NI</b>	<b>WS2004I</b>	<b>WS2004NI</b>
	Light Almond	<b>WS2000LA</b>	<b>WS2000NLA</b>	—	—
	White	<b>WS2000W</b>	<b>WS2000NW</b>	<b>WS2004W</b>	<b>WS2004NW</b>
Manual adjusting; auto-ON operation; 120V AC only.	Ivory	<b>WS1000I</b>	<b>WS1000NI</b>	—	—
	Light Almond	<b>WS1000LA</b>	—	—	—
	White	<b>WS1000W</b>	<b>WS1000NW</b>	—	—
Manual adjusting; Manual-ON operation; 120V AC only.	Ivory	<b>WS1001I</b>	<b>WS1001NI</b>	—	—
	White	<b>WS1001W</b>	<b>WS1001NW</b>	—	—

Note: See below for coverage patterns.

### Two-Circuit, Independent Settings

Description	Color	Standard	with Neutral
Manual adjustments; Auto-ON operation; 120V AC.	Gray	<b>WS1020GY</b>	<b>WS1024GY</b>
	Ivory	<b>WS1020I</b>	<b>WS1024I</b>
	Light Almond	<b>WS1020LA</b>	<b>WS1024LA</b>
	White	<b>WS1020W</b>	<b>WS1024W</b>
Manual adjustments; Manual-ON operation; 120V AC.	Gray	<b>WS1021GY</b>	<b>WS1025GY</b>
	Ivory	<b>WS1021I</b>	<b>WS1025I</b>
	Light Almond	<b>WS1021LA</b>	<b>WS1025LA</b>
	White	<b>WS1021W</b>	<b>WS1025W</b>

### Count Down Timer Wall Switch

Description	Color	30 Minutes: OFF, 5, 10, 20, 30	60 Minutes: OFF, 15, 30, 45, 60	12 Hours: OFF, 2, 4, 8, 12
1000W @ 120V AC and 1400W @ 277V AC.	Ivory	<b>DT5030I</b>	<b>DT5060I</b>	<b>DT5012I</b>
	Light Almond	<b>DT5030LA</b>	<b>DT5060LA</b>	<b>DT5012LA</b>
	White	<b>DT5030W</b>	<b>DT5060W</b>	<b>DT5012W</b>

Note: Neutral required.

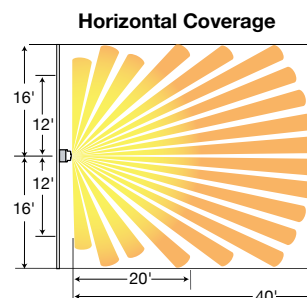
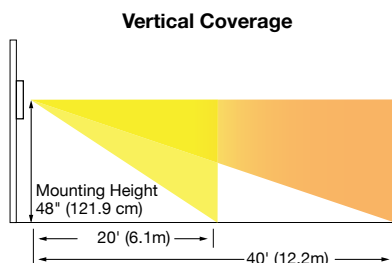
### Digital Timer Wall Switch

Description	Color	120V AC	277V AC	Catalog Number
Dip switch enabled preset intervals. User adjustable 1 min up to 4 hours, 3-way capable. Includes an ON/OFF momentary push button switch feature.	White	960W	1200W	<b>DT2000W</b>

Note: Neutral required.

### Wall Switches Coverage Patterns

Minor Motion: ■ PIR Major Motion: ■ PIR



WS1000, WS2000 SERIES



## Floor Boxes for Concrete Floors

Residential Round Non-Metallic Floor Box offers an economical solution for electrical power or a combination of power and voice/data applications. Designed specifically for slab-on-grade installation. Quick and easy installation is assured using a push in place leveling system. UL Listed.

### Features

After the box has been secured in concrete, cut for height, apply PVC glue and push the cover assembly into the box. No fasteners or adjustment screws required.

- 4 inch minimum concrete pour
- Removable neoprene gaskets allow for independent use of either side of the receptacle with the cover closed
- Self height and leveling ring, no adjustments
- Pre-assembled flange, cover and leveling ring for quick installation
- Parallel PVC hubs for 1 inch and ¾ inch conduit
- Recessed GFCI/decorator opening
- Tamper-Resistant duplex receptacle included
- UL listed floor box



**RF406BK**  
with RF400

## Floor Boxes for Concrete Floors

Description	Rating	Material/Color	Catalog Number
Flange and Hinged Door Cover Assembly. Includes tamper-resistant duplex receptacle, gasket, floor leveling PVC ring, high impact and chemically resistant nylon. Factory pre-assembled for easy drop-in installation.	15A 125V NEMA 5-15R	Brushed Aluminum	<b>RF406ALU</b>
		Brushed Brass Plated	<b>RF406BP</b>
		Solid Brass	<b>RF406BR</b>
		Almond	<b>RF406AL</b>
		Black	<b>RF406BK</b>
		Chestnut Brown	<b>RF406BN</b>
Flush fit cover for hardwood and tile floors (similar to above).		Gray	<b>RF409BR</b>
		Solid Brass	<b>RF409BR</b>
PVC Floor Box with Concrete Protective Cover. Accepts ¾ in. and 1.0 in. schedule 40 and schedule 80 PVC conduit. Includes round box (47/8 in. diameter x 6.0 in. deep), four reducers, closure plugs, and concrete cover with locator flag.		Gray	<b>RF400</b>
Hinged Nylon Replacement Door Cover. Includes neoprene gasket to seal plug openings. Replacement cover for RF406 series.		Solid Brass	<b>RF407BR</b>
		Almond	<b>RF407AL</b>
		Black	<b>RF407BK</b>
Low Voltage Divider. For use in PVC box RF400, when JLOAD® Multimedia Outlet is used.		Gray	<b>RF408</b>



**RF406ALU**



**RF409BR**



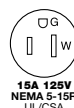
**RF408**

## Adjustable Non-Metallic Concrete Floor Box Stand

Description	Color	Catalog Number
PVC floor box stand, adjusts up to 4 inches.	White	<b>PFBSTAND</b>



## JLOAD® Multimedia Outlet - See page X-27 for Features



Description	Color	Tamper-Resistant	Tamper-Resistant
JLOAD® Multimedia Outlet. Specifically designed to provide power, Cat. 5e and coaxial in a single gang box. Requires Low Voltage Divider RF408 when used in PVC Box RF400. Includes decorator frame, one Cat. 5e, one F-connector and one power receptacle 125V with voltage dividers*.	Black	<b>RJ650BKTR</b>	<b>RJ620BKTR</b>
	Gray	<b>RJ650GYTR</b>	<b>RJ620GYTR</b>
	Ivory	<b>RJ650ITR</b>	<b>RJ620ITR</b>
	Light Almond	<b>RJ650LATR</b>	<b>RJ620LATR</b>
	White	<b>RJ650WTR</b>	<b>RJ620WTR</b>
JLOAD® Multimedia Outlet Includes decorator frame with two open ports for custom configuration and one power receptacle 125V with voltage dividers*.	Black	<b>RJ65BKTR</b>	<b>RJ62BKTR</b>
	Gray	<b>RJ65GYTR</b>	<b>RJ62GYTR</b>
	Ivory	<b>RJ65ITR</b>	<b>RJ62ITR</b>
	Light Almond	<b>RJ65LATR</b>	<b>RJ62LATR</b>
	White	<b>RJ65WTR</b>	<b>RJ62WTR</b>



**PFBSTAND**



**RJ650BKTR**

Note: \*Dividers provided for use with the RJ600, RF515 series and RU200 series boxes. RF408 required for use with the RF400 series floor boxes. See page X-10 for snap fit inserts. See pages X-21 to X-26 for floor boxes and under cabinet power distribution options. See page Tech-10 for Tamper-Resistant description.



## Floor Boxes for Wood Floors

Hubbell Wood Floor Boxes allow for the placement of electrical power or a combination of power and voice/data devices. Specifically designed for use with structural wood floors. The boxes are height adjustable (up to ¾ inch) for optimal alignment and fit.

### Features

- Available surface mount or flush fit
- Pre-assembled flange and cover for fast installation
- Removable neoprene gaskets allow for independent use of either side of the receptacle with the cover closed
- Low voltage divider optional provides for power and voice/data in a compact space
- Height accessible adjustments after the box is mounted
- Back and side knockouts for proper wiring access
- Recessed receptacle minimizes plug protrusion; allowing furniture to be located over the plug
- Top screw fastening and side joist mounting provided



**RF509BR, RJ650BKTR,  
RF500 with Divider**

Note: Template cutout provided with instructions for proper installation.

## The Right Choice for that Perfect Finishing Touch!



Solid Brass

Brass Plated

Chrome Plated

Copper Plated

Nickel Plated

Stainless Finish

Almond

Black

Chestnut Brown

Note: Not all configurations are available in all colors. See below for details.



**RF515BR**



**RF509BR**



**RF500**



**RF507BR**

## Floor Boxes for Structural Wood Floors

Description	Material	Finish	Catalog No.	Material	Finish	Catalog No.
Decorator duplex receptacle floor box kit; includes steel box, flange and hinged door cover assembly with 15A 125V tamper-resistant duplex receptacle; designed for installation in wood floors; mounts to sub-floor or joists.	Solid Brass	Clear Lacquer	<b>RF515BR</b>	Aluminum	Brass Plated	<b>RF515BP</b>
	Aluminum	Stainless Paint	<b>RF515SS</b>	Aluminum	Chrome Plated	<b>RF515CH</b>
	Aluminum	Almond Paint	<b>RF515AL</b>	Aluminum	Copper Plated	<b>RF515CU</b>
	Aluminum	Black Paint	<b>RF515BK</b>	Aluminum	Nickel Plated	<b>RF515NI</b>
	Aluminum	Chestnut Brown Paint	<b>RF515BN</b>			
Flange and hinged door cover assembly; includes tamper-resistant duplex receptacle; neoprene gaskets; for use with steel box RF500.	Solid Brass	Clear Lacquer	<b>RF506BR</b>	Aluminum	Brass Plated	<b>RF506BP</b>
	Aluminum	Stainless Paint	<b>RF506SS</b>	Aluminum	Chrome Plated	<b>RF506CH</b>
	Aluminum	Almond Paint	<b>RF506AL</b>	Aluminum	Copper Plated	<b>RF506CU</b>
	Aluminum	Black Paint	<b>RF506BK</b>	Aluminum	Nickel Plated	<b>RF506NI</b>
	Aluminum	Chestnut Brown Paint	<b>RF506BN</b>			
Flush fit cover for hardwood and tile floors (similar to above).	Solid Brass	Clear Lacquer	<b>RF509BR</b>			
Adjustable floor box; 3 inch deep; three (3) ½ inch knockouts: one on bottom; one on each side; non-metallic sheathed cable clamps on each side.				Steel	—	<b>RF500</b>
Hinged Door Cover Only Replacement door for RF515, RF509 and RF506 series.	Solid Brass	Solid Brass	<b>RF507BR</b>	Aluminum	Brass Plated	<b>RF507BP</b>
	Aluminum	Stainless Finish	<b>RF507SS</b>	Aluminum	Chrome Plated	<b>RF507CH</b>
	Aluminum	Almond	<b>RF507AL</b>	Aluminum	Copper Plated	<b>RF507CU</b>
	Aluminum	Black	<b>RF507BK</b>	Aluminum	Nickel Plated	<b>RF507NI</b>
	Aluminum	Chestnut Brown Paint	<b>RF507BN</b>			

## Floor Boxes for Wood Floors

### Features

Duplex floor receptacles provide ample connections to service lighting, entertainment equipment and computers for family rooms and offices. Single receptacle configurations available for minimum requirements.

- Low profile, solid brass flange and cover
- Cut out template provided to assure proper sub-flooring preparation
- Line and low voltage options
- 2½ inch hole, ample wiring room
- For use with single or feed through service



RF151R

### Drop-In Floor Box

Drop-In Floor Boxes are perfect for quick and easy installation of power or low voltage. Simply cut a hole between the floor and joists and drop through. The flange lip holds it in place.



### Floor Boxes for Wood Floors



Description	Material	Catalog Number	Catalog Number
Drop In Floor Box Mounts in 2½ inch hole opening. Includes solid brass cover, single tamper-resistant receptacle, optional device mounts for two (2) voice/data video ports. Suitable for feed through circuitry. Impact resistant box.	Solid Brass	<b>RF151R</b>	<b>RF201R</b>
Duplex Receptacle Floor Box Rated Includes steel box, duplex TR receptacle and cover.	Solid Brass	<b>RF6500BR</b>	—
Single Receptacle Floor Box Rated Includes steel box, single receptacle and cover.	Solid Brass	<b>RF151TR</b>	—
Single Receptacle Display Rated Receptacle and cover only, excludes box.	Solid Brass	<b>RF151DTR</b>	—

Note: See page Tech-10 for Tamper-Resistant description.

RF151R



RF6500BR



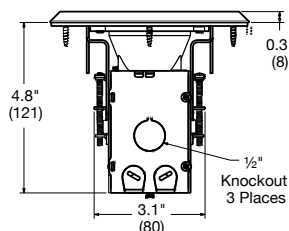
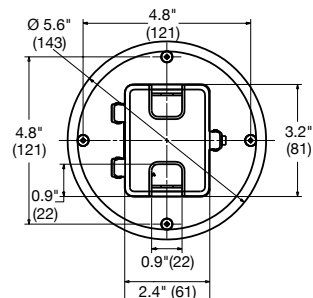
RF151TR



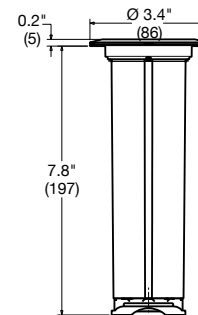
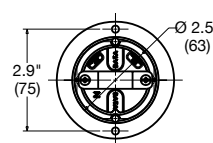
RF151DTR

### Dimensions

#### Wood Floor Boxes



#### Drop-In Floor Box




Dimensions in Inches (mm)



## Countertop Receptacles

Hubbell Pop-Up Receptacles for countertops provide a power source ideal for kitchen and bath counters and islands. Hubbell is the first to market a countertop receptacle that is UL Listed. It allows compliance with NEC® 406.5(E) [countertops], 406.5(F) [work surfaces], and 406.5(H) [seating areas]. Pop-Up Receptacles are tested and water resistant to a half gallon spill. The receptacles feature Hubbell's patent pending silicone gaskets and patented cam action tamper-resistant technology. The compact design minimizes space required on the countertop as well as underneath in the cabinet area.

### Features

- Surface or flush mount options
- Self sealing silicone gaskets at the receptacle face
- Compact design
- Permanent installation ready (suitable for MC cable or non-metallic sheath cable)
- Seven different finishes available
- Features two water and tamper-resistant receptacles
- Easy push down to pop-up function is rated for a minimum of 10,000 cycles (OPEN/CLOSE)
- Easy installation - simply drop in and tighten
-  us Listed



## Because Spills Happen



**Hubbell Countertop Receptacles  
are Spill Test Compliant**

Hubbell Countertop Receptacles are the first pop-up receptacles UL listed for countertop applications and permanent installations.

### UL 498 Section 146

Built and listed to be water resistant to a half gallon of liquid spilled on the device.

### NEC 406.5(E)

*Receptacle assemblies for installation in countertop surfaces shall be listed for countertop application.*

### NEC 406.5(E) "Receptacles in Countertops"

*For a receptacle to meet this requirement it must be part of a listed assembly for use in countertops*

- May be exposed to a larger liquid spill
- Can also be installed in work surfaces
- Must be GFCI protected surface

### NEC 406.5(F) "Receptacles in Work Surfaces"

*For a receptacle to meet this requirement it must be part of a listed assembly for use in work surfaces*

- Does not require as high of a spill rating
- Cannot be used in countertop applications



## Countertop Receptacles



Surface Mount



Flush Mount



RCT200BK

### Countertop Receptacles

Description	Finish	Color/Material	Surface Mount	Flush Mount
15A 125V Tamper-Resistant Pop-Up Kitchen Counter Receptacle, Rated for 20A circuits	Powder Coated	Black	<b>RCT200BK</b>	<b>RCT201BK</b>
		White	<b>RCT200W</b>	<b>RCT201W</b>
	Brushed	Aluminum	<b>RCT200ALU</b>	<b>RCT201ALU</b>
		Brass	<b>RCT200BR</b>	<b>RCT201BR</b>
Nickel		<b>RCT200NI</b>	<b>RCT201NI</b>	
Polished	Chrome	<b>RCT200CH</b>	<b>RCT201CH</b>	
Matte	Bronze	<b>RCT200BZE</b>	<b>RCT201BZE</b>	



Powder Coated Black



Powder Coated White



Brushed Aluminum



Brushed Brass



Brushed Nickel



Polished Chrome



Matte Bronze

### Specifications

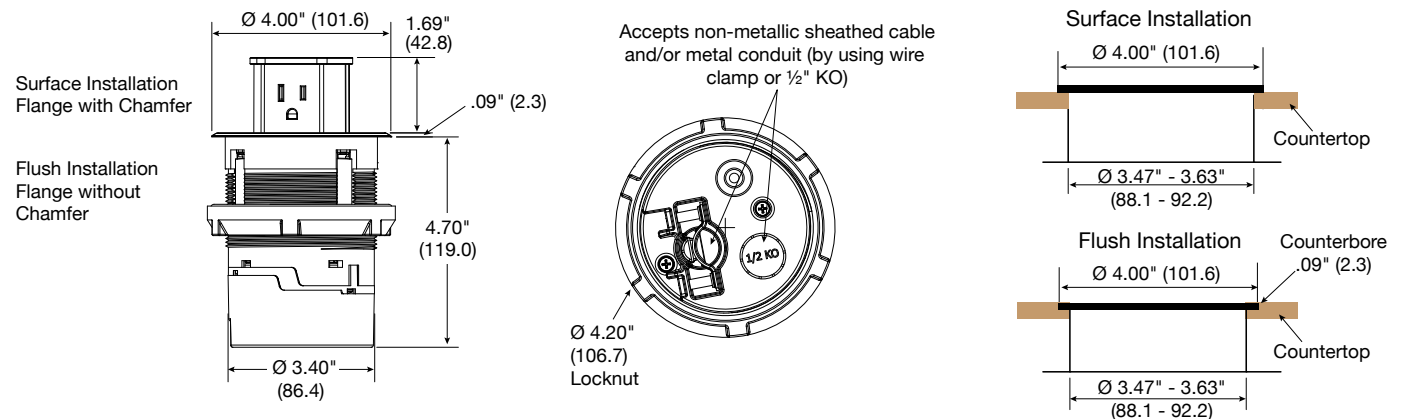
#### Performance

Configuration	15 amp 125 volt, Tamper Resistant Receptacle
Circuit Rating	20 amp non-feed through
Listings	cULus Listed to UL498, Section 145 Mechanical Load Test, 146 Spill Test
Dielectric Voltage	Withstands 2,000V minimum
Terminal Accommodation	#14-#12 AWG copper stranded or solid conductor only
Terminal Identification	Terminals identified in accordance with UL 498 and CSA
Flammability	UL 94V-2
Operating Temperature	Maximum continuous 75°C, minimum -40°C (w/o impact)

#### Materials

Cover and Flange	Die Cast Aluminum
Main Body	Engineered Thermoplastic PBT
Wiring Chamber	Die Cast Aluminum
Water Seals	Elastomers and Silicon

### Dimensions



Note: Recommended to be fed by a GFCI circuit, up to 20 Amp Service.

Dimensions in Inches (mm)



## Under Cabinet/Counter Power Distribution

### Features

These boxes comply with the NEC® for kitchen receptacles, with placement not more than 20 inches above the counter surface. They can also be placed under counter islands, not lower than 15 inches from the surface.

- Available with nylon or metal cover
- Custom configurable, accepts any decorator style device
- Mounting hardware included
- UL Listed and CSA Certified under cabinet boxes



### Under Cabinet/Counter Power Distribution

Description	Material	Catalog Number
Slim Box	Stainless Steel	<b>RU100SS</b>
	White Metal	<b>RU100W</b>
	White Nylon	<b>RU170W*</b>
GFCI Fit Box	Stainless Steel	<b>RU200SS</b>
	White Metal	<b>RU200W</b>
	White Nylon	<b>RU270W*</b>

Note: \*Steel box with nylon cover.



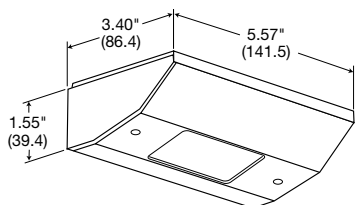
**RU100W**



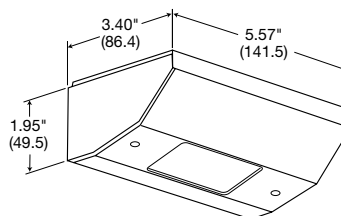
**RU200SS**

### Dimensions

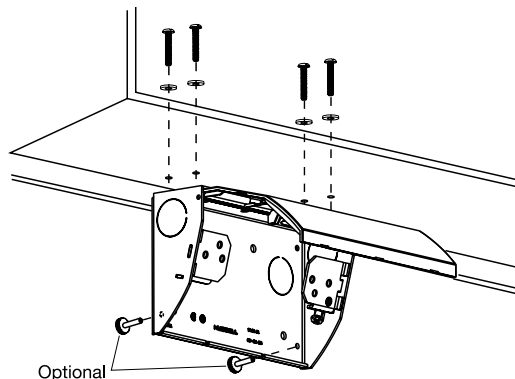
#### Slim Box



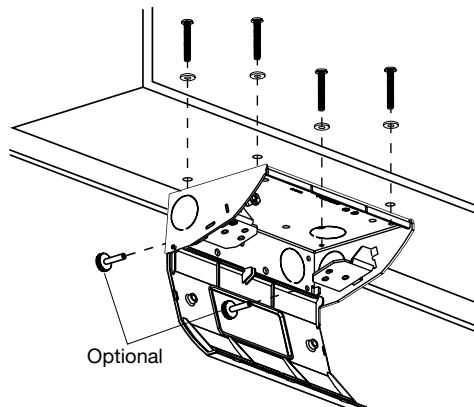
#### GFCI Fit Box



### Vertical Mount



### Horizontal Mount



Dimensions in Inches (mm)

NEC® is a registered trademark of the National Fire Protection Association (NFPA).

## JLOAD® Multimedia Outlet

### Make the Most of a Perfect Location

Install receptacles and voice/data devices exactly where they are needed, in the smallest space possible.

### Features

- Accepts any snap fit jack configuration (see page X-10)
- Isolates low voltage and power in the same box
- Custom box mounting
- Provides for data, telephone and coaxial
- Available in 15 or 20 Amp



**RJ620WTR**

Note: Requires unique box shown below.



### Special Use Products



Description	Color	Tamper-Resistant	Tamper-Resistant
JLOAD® Multimedia Outlet Specifically designed to provide power, Cat. 5e and coaxial in a single gang box. Requires JLOAD® Multimedia Box RJ600. Perfect for HDTV and computer use where a combination of power and data are needed. Includes decorator frame, one Cat. 5e, one F-connector and one power receptacle 125V with voltage dividers*.	Black	<b>RJ650BKTR</b>	<b>RJ620BKTR</b>
	Gray	<b>RJ650GYTR</b>	<b>RJ620GYTR</b>
	Ivory	<b>RJ650ITR</b>	<b>RJ620ITR</b>
	Light Almond	<b>RJ650LATR</b>	<b>RJ620LATR</b>
	White	<b>RJ650WTR</b>	<b>RJ620WTR</b>
JLOAD® Multimedia Outlet Includes decorator frame with two open ports for custom configuration and one power receptacle 125V with voltage dividers*.	Black	<b>RJ65BKTR</b>	<b>RJ62BKTR</b>
	Gray	<b>RJ65GYTR</b>	<b>RJ62GYTR</b>
	Ivory	<b>RJ65ITR</b>	<b>RJ62ITR</b>
	Light Almond	<b>RJ65LATR</b>	<b>RJ62LATR</b>
	White	<b>RJ65WTR</b>	<b>RJ62WTR</b>
JLOAD® Multimedia Box 3 inches deep with seven 1/2-inch knockouts, non-metallic sheathed cable clamps on each side. Screw in mounting to stud.	Steel	<b>RJ600</b>	<b>RJ600</b>



**RJ620WTR**



**RJ62WTR**



**Dividers**

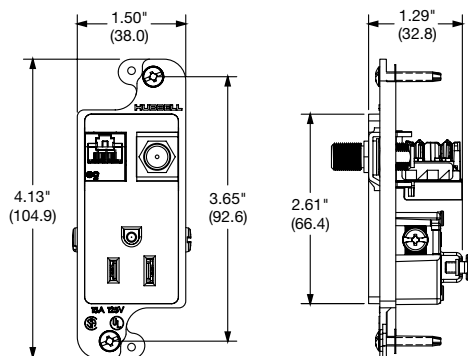


**RJ600**

Dimensions in Inches (mm)

Note: \*Dividers provided for use with the RJ600, RF515 series and RU200 series boxes. RF408 required for use with the RF400 series floor boxes. See page X-10 for snap fit inserts. See pages X-21 to X-26 for floor boxes and under cabinet power distribution options. See page Tech-10 for Tamper-Resistant description.

### Dimensions





## Decorator Switches - Technical Information

### Features

- Smooth, quiet rocker action
- Self-grounding feature standard
- Ultrasonically welded cover and base provides maximum strength
- Push, back and side wiring
- Available colors: Black, Brown, Gray, Ivory, Light Almond and White



**RSD115W**

### Specifications

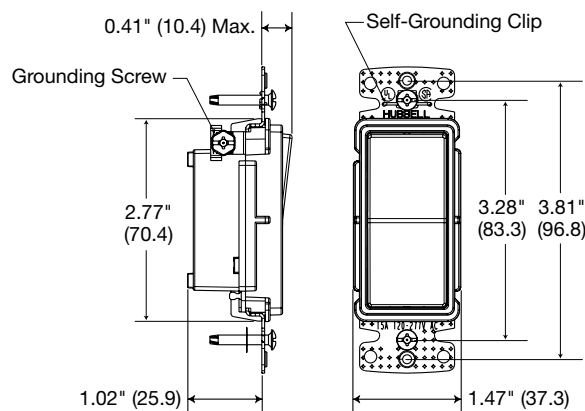
Switches	Component	Material
Typical Specification — Catalog Number <b>RSD115xx</b>	Base and body	PVC
Description — Decorator series rocker switch	Rocker	Polycarbonate
Type — Single Pole	Terminals	Brass
Rating — 15A, 120-277V AC	Mounting strap	Galvanized steel
Certification — Listed to UL Standard 20	Contacts	Silver alloy
CSA Certified	Movable contact arm	Copper alloy
	Terminal screws	Steel

Note: **xx** = Color: **BK** (Black), **BL** (Brown), **GY** (Gray), **I** (Ivory), **LA** (Light Almond), and **W** (White).

### Performance

Electrical	
Dielectric voltage	Withstands 1,500V AC minimum for 1 minute.
Max. working voltage	120V.
Overload	1.5 times rating.
Endurance	30,000 cycles minimum.
Mechanical	
Terminal accommodation	Back and side wire: #14 AWG min. - #12 AWG max. solid and stranded copper wire only; push wire: #14 AWG solid copper wire only.
Environmental	
Flammability	UL V0.
Operating temperatures	Maximum continuous 60°C; minimum -20°C (without impact).

### Dimensions



**Single-Pole Decorator Switch**

Dimensions in Inches (mm)