

Straight Blade Devices  
 20A, 125V, 2 Pole, 3 Wire Grounding  
 HBL® Extra Heavy Duty Hospital Grade  
 Duplex Receptacle

# HUBBELL

## Features

- Deep body design with impact resistant face
- Patented ground contact provides redundant grounding
- Unique bypass contact design
- Circuit ID marking area

## Ordering Information

Description	Device Color	UPC	Catalog Number
Deep body design with circuit ID face. Back and side wired.	Gray	783585435749	HBL8300GY

## Listings

UL Listed to UL498 File No. E2186  
 CSA Certified 22.2, No. 42 File 285  
 Fed. Spec. W-C-596  
 NEMA® WD-6 Compliant

## Specifications

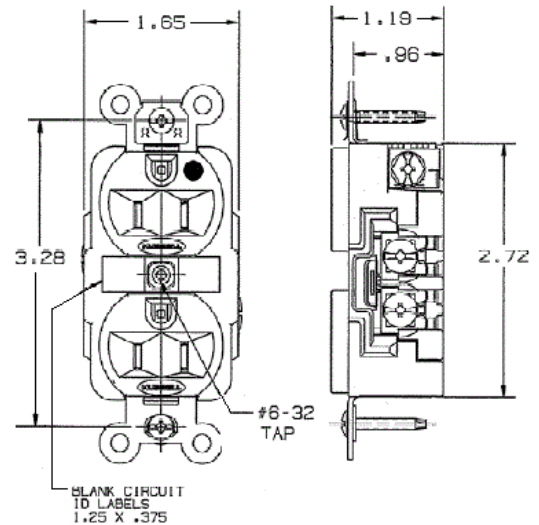
Face	PBT
Base	PBT
By-Pass Power Contacts	.036" (.9) Nickel plated brass
Ground Contacts	Brass
Clamping Plate	Nickel plated brass
Terminal Screws	Plated brass
Mounting Strap	Nickel plated brass
Automatic Self-grounding Clip	Stainless steel
Mounting Screws	Stainless steel

## Performance

Electrical	
Current Interrupting	Certified for current interrupting at full rated current
Dielectric Voltage	Withstands 2,000V minimum
Mechanical	
Product Identification	Ratings are a permanent part of the device
Terminal Accommodation	#12-#10 AWG stranded or solid copper wire only
Terminal Identification	Terminals identified in accordance with UL 498 and CSA
Environmental	
Flammability	UL 94 V-0
Operating Temperatures	Maximum continuous 75°C; minimum -40°C (w/o impact)



20A 125V  
 NEMA 5-20R  
 UL CSA  
 1 HP



## Complementary Products

Wallplate or Weatherproof Cover Duplex Opening

## Online Resources

Customer Use Drawing  
 eCatalog  
 Installation Instructions

Dimensions in Inches (mm)

Hubbell Wiring Device-Kellems • Hubbell Incorporated (Delaware) • 40 Waterview Drive • Shelton, CT 06484

Phone (800) 288-6000 • Fax (800) 255-1031 • Specifications subject to change without notice.

