



HUBBELL HiImpact Patch Cords, Category 6

High Performance
Category 6.

IP67 and IP66 Rated for
Dust and Liquids.

Durable, Rugged
Construction.

Intuitive, Quick-Action
Mating.

HARSH  

SPECIFICATIONS

Plug Housing

- ◆ Environmental
 - Ingress Protection: IP67 and IP66 (dust/water).
 - Corrosion: Resistant to most common chemicals, oils and cleaning agents.
 - **HI-IMPACT™** Housing: UV resistant.
 - **HI-IMPACT™** Housing Temperature Range: TIA/EIA-568-B.2 -25°C to 70°C.
- ◆ Mechanical
 - Vibration:
 - Frequency range: 10-500Hz.
 - Acceleration: 5g (operational).
 - Mating cycles: 750 minimum.
 - UL 1863 compliant.
- ◆ Material
 - Connector housing: Valox®, UL 94V-0.

Plug Construction

- ◆ Mechanical
 - Cable to plug tensile strength: 20+ lbs.
- ◆ Material
 - Plug body: Polycarbonate UL 94V-0.
 - Contact: High strength copper alloy.
 - Plating: 50 micro-inch Gold over 100 micro-inch nickel under plating.

Cable Construction

- Conductor: 24AWG.
- Dielectric: Polyolefin.
- Outer jacket: flexible thermoplastic, nom. O.D. 0.250".
- Operating temperature: -40°C to 75°C.
- ◆ Electrical
 - ANSI/TIA/EIA-568-B.2 (Category 6).
 - Supports TIA-1005 Industrial Telecommunications Infrastructure.
 - Supports IEEE 802.3af to 4 times the DTE Power specification.
 - Exceeds IEEE 802.3ab Gigabit specification to $< 1 * 10^{-13}$.



Vibration TIA 568-B.2
Transmission integrity.



Flexible, Durable Patch Cable
Resistant to UV, chemicals, cleaning agents, and oils.



Maximum Cable Strain Relief
Resists pull-out.



O-Ring Seal
Reliable IP67 and IP66



User-Friendly Quick Connect
Positive indication when fully engaged.



Valox® Construction
Resistant to temperature extremes and impact

HI-IMPACT™ Category 6 Patch Cord assemblies deliver the superior transmission performance your network needs, packaged in a durable **HI-IMPACT™** shell providing ultimate protection your harsh environment demands.

The **HI-IMPACT™** patch cords are available in a large variety of lengths and styles to accommodate various combinations of HI-impact and standard RJ-45 types.

Hubbell's **HI-IMPACT™** system is more than just a connection. It is a complete end-to-end communications solution designed to solve problems in the most punishing to the least severe environments.

APPLICATIONS

- Use in applications with demanding environments like automation, manufacturing, marinas, paper mills, pharmaceutical, utility companies, refinement and waste treatment facilities to protect network connections to IP devices.

APPROVALS

- UL/cUL Listed.



HI-IMPACT™ Patch Cord, Category 6

Order Information

Delivery: 1 factory assembled patch cord with double jacketed UTP cable for harsh environments.

Termination Catalog No.

Cat 6 HI-IMPACT™ RJ-45 to standard RJ-45 **HI6XXAE**

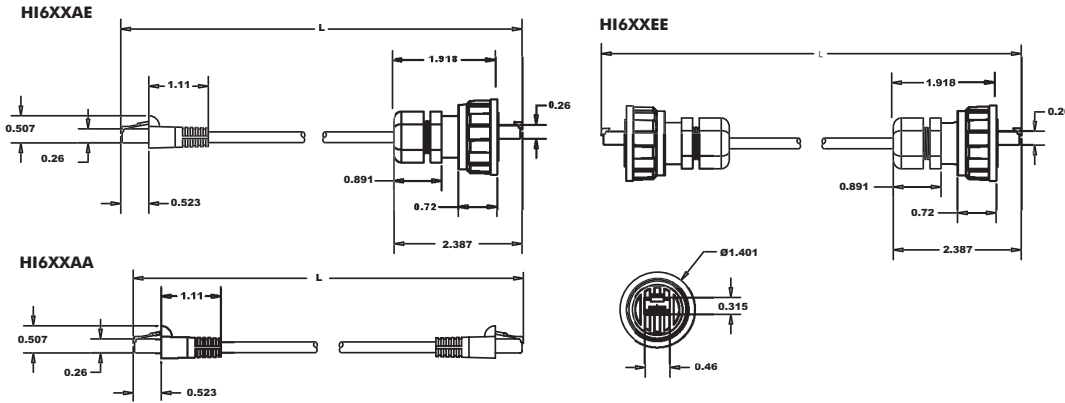
Cat 6 HI-IMPACT™ RJ-45 on both ends **HI6XXEE**

Standard Cat 6 RJ-45 on both ends **HI6XXAA**

Substitute "XX" with 03, 05, 07, 10, 15, 20, 25, 30, 35, 40, 45, 50 to indicate length in feet.



DIMENSIONS



ACCESSORIES

HI-IMPACT™ Connectors

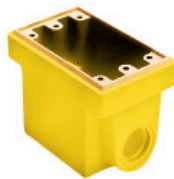
Delivery: 1 housing, 1 jack, 1 flat bulkhead gasket, and 1 retaining nut.

Description	Catalog No.
Cat 6 Jack (UTP)	HI6
Connector Cap	HIC



Fiberglass Weatherproof Device Box

Knockout	Color	Cat. No.
3/4"	Yellow	HBL60CM83HI



Cast Aluminum Device Box w/Lugs

Knockout	Color	Cat. No.
1/2"	Gray	HIFD1L
3/4"	Gray	HIFD2L

Cast Aluminum Weatherproof Device Box with Lugs

Knockout	Color	Cat. No.
1/2"	Gray	HIWP05GY
3/4"	Gray	HIWP75GY

HI-IMPACT™ Plates

Stainless Steel

Ports	Gang	Catalog No.
1	1	HISF11
2	1	HISF12
2	2	HISF22
4	2	HISF24



Thermoplastic, 4-Point FS/FD, 1-Gang

Ports	Color	Catalog No.
1	Gray	HI14GY
2	Gray	HI24GY
1	Yellow	HI114PY
2	Yellow	HI124PY



NEMA 4X Box

Ports	Thermoplastic Catalog No.	Stainless Steel Catalog No.
1	HI14XGY	HI1CBSS
2	HI24XGY	HI2CBSS
4	HI44XGY	-
6	HI64XGY	-



NEMA 4/12 Box

Port	Powder-coated Steel, Gray Catalog No.
1	HI1CBG
2	HI2CBG



Hubbell Premise Wiring

HUBBELL INCORPORATED (Delaware)

14 Lord's Hill Road • Stonington, CT 06378-0901 • (860) 535-8326 • 800-626-0005

Fax: (860) 535-8328 • Internet site: <http://www.hubbell-premise.com>

Worldwide Locations

Hubbell Premise Wiring, Asia Pacific
 Hubbell Canada Inc.
 Hubbell Premise Wiring, Central America
 Hubbell Premise Wiring, China
 Hubbell Premise Wiring, Colombia
 Hubbell Premise Wiring, Europe
 Hubbell Int'l. Inc., Korea Branch

852-2836-7131 Fax: 852-2836-7132
 905-839-1138 Fax: 905-839-9108
 506-309-4158 Fax: 506-260-1616
 8621-6309-0119 Fax: 8621-6309-0122
 571-245-8940 Fax: 571-340-0925
 44-01283 500500 Fax: 44-01283 500400
 82-2-(0)2607-1363 Fax: 82-2-(0)2603-7386

Hubbell Premise Wiring, Latin America
 Hubbell de Mexico, S.A. de C.V.
 Hubbell Premise Wiring, Middle East
 Hubbell-Taian Co., Ltd., Taiwan
 Hubbell Premise Wiring, Turkey
 Hubbell Premise Wiring, Venezuela

305-408-4501 Fax: 305-408-8201
 (5255) 9151-9999 Fax: (5255) 9151-9989
 971-4-393-4192 Fax: 971-4-393-4194
 886-2-2522-1862 Fax: 886-2-2522-1872
 90-216-313-5016 Fax: 90-216-414-8148
 58-416-680-7453 Fax: 58-281-274-7900