



Sliding Cover Provides Better Protection and Longer Life.

Fiber and Multimedia Capabilities.

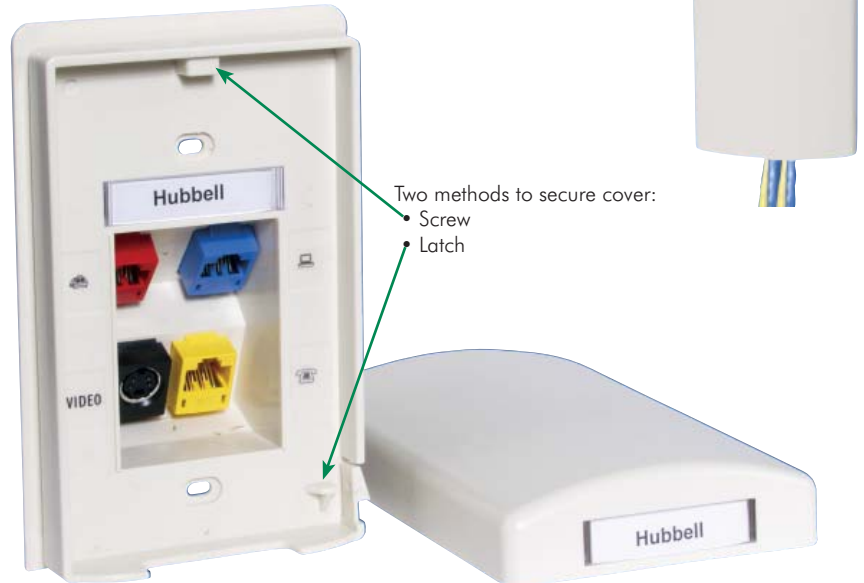
Multiple Labeling Options for Easy Station Identification.

NEMA 3R Weatherproof Version Available.

Secure-IT™ Face Plates

Tamper-resistant and Weatherproof

Staggered, angled openings provide proper cable exit and bend radius.



Port I.D. label fields.

Two methods to secure cover:

- Screw
- Latch

Standard HPW label fields on base and cover (tamper-resistant version).

SPECIFICATIONS

- ◆ UL 94V-0 rated flame-retardant polymer.
- ◆ Mounts to standard NEMA boxes (16in³ minimum) and common box eliminators.
- ◆ Compatible with Hubbell's labeling solution.
- ◆ Weatherproof plate is NEMA 3R rated.
- ◆ UL and cUL listed.



APPLICATIONS

Secure-IT™ face plates can be used in most single gang applications that require an added degree of security and/or protection from the elements.

- Classrooms.
- Laboratories.
- Dormitories.
- Conference and Meeting Facilities.
- POS Applications.
- Indoor and Outdoor Kiosks.
- Pediatric Facilities.
- Shipping/Receiving Areas.

PROTECTION - Available in tamper resistant and weatherproof versions, Secure-IT™ plates protect mated and unmated connections from physical damage. The weatherproof version is rain-tight providing NEMA 3R protection in outdoor environments.

NETWORK SECURITY - The unique sliding cover discourages unauthorized personnel from making impromptu and unrecorded moves, adds, and changes. Additional security is assured by fastening an included combo-head screw or user supplied security screw under the top face plate label field (not available in weatherproof version).

AESTHETICS - The plate seamlessly integrates into a wide variety of applications hiding terminated connectivity while cabling exits inconspicuously through the bottom of the plate. Available in 4 colors, office white, gray, white and black, the cover design is large enough to compensate for oversized box openings or poor cuts in sheetrock.

**ORDERING INFORMATION****Secure-IT™ Tamper-Resistant Face Plates**

Size	Color	Catalog No.
1-gang/4-port	Black	TPF1BK
1-gang/4-port	Gray	TPF1GY
1-gang/4-port	Office white	TPF1OW
1-gang/4-port	White	TPF1WH



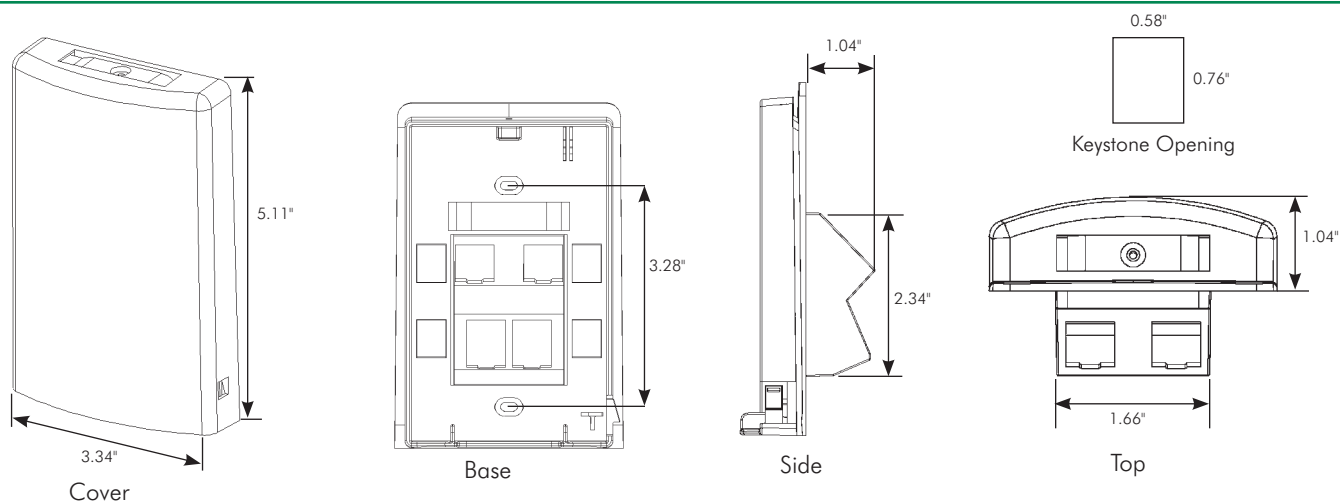
TPF1OW



TWPF1GY

Secure-IT™ NEMA 3R Weatherproof Face Plate

Size	Color	Face Plate Catalog No.	Replacement Cover Catalog No.
1-gang/4-port	Gray	TWPF1GY	ERFCLGY

DIMENSIONS

Note: Standard TPF plate shown. Weatherproof plate does not have cover label field.

ACCESSORIES**Hubbell Labeling Solutions***

	Catalog No.
Face Plate Labels, white adhesive	XPLFPA10W
Face Plate Labels, white paper	XPLFP10W
Face Plate Labels, clear adhesive	XPLFPA10C
Port Icon Labels, white adhesive	XPLIPA10W
Port Icon Labels, clear adhesive	XPLIPA10C

Pre-Printed Icon Label Booklets (5-packs)

Icon Labels, clear adhesive with black text	XPICONS
Icon Labels, clear adhesive with white text	XPICONSW

* Contact our website at www.hubbell-premise.com for Hubbell's unique Labeling Software.

**Hubbell Premise Wiring**

HUBBELL INCORPORATED (Delaware)

14 Lord's Hill Road • Stonington, CT 06378-0901 • (860) 535-8326 • 800-626-0005

Fax: (860) 535-8328 • Internet site: <http://www.hubbell-premise.com>

Worldwide Locations

Hubbell Premise Wiring, Asia Pacific
Hubbell Canada Inc.
Hubbell Premise Wiring, Central America
Hubbell Premise Wiring, China
Hubbell Premise Wiring, Colombia
Hubbell Premise Wiring, Europe
Hubbell Int'l. Inc., Korea Branch

852-2836-7131 Fax: 852-2836-7132
905-839-1138 Fax: 905-839-9108
506-309-4158 Fax: 506-260-1616
8621-6309-0119 Fax: 8621-6309-0122
571-245-8940 Fax: 571-340-0925
44-01283 500500 Fax: 44-01283 500400
82-2-(0)2607-1363 Fax: 82-2-(0)2603-7386

Hubbell Premise Wiring, Latin America
Hubbell de Mexico, S.A. de C.V.
Hubbell Premise Wiring, Middle East
Hubbell-Taian Co., Ltd., Taiwan
Hubbell Premise Wiring, Turkey
Hubbell Premise Wiring, Venezuela

305-408-4501 Fax: 305-408-8201
(5255) 9151-9999 Fax: (5255) 9151-9989
971-4-393-4192 Fax: 971-4-393-4194
886-2-2522-1862 Fax: 886-2-2522-1872
90-216-313-5016 Fax: 90-216-414-8148
58-416-680-7453 Fax: 58-281-274-7900

DS-C68 08/05