

Home

About Hasco

Our Factory w/ Pictures

Reed Relays

Electromechanical Relays

Reed Switches/Magnets

Proximity Reed Switches

Catalog (PDF Download)

EZ Relay Design Page

Request Quote

Links

Hasco Reps

Hasco Distributors

Quick Products Listings

info@hascorelays.com

Electromechanical Relays

Hasco Component's electromechanical relays range from less than an amp to 80 amps. Hasco's relays are UL and CSA with some TUV ratings. All relays have DC coils and many have an AC coil. They come sealed for wave soldering and washing thereby allowing the relays to be put on any assemble line. There are surface mount low current relays available as well.

CAR & CART 80 AMP AUTOMOTIVE RELAY

FEATURES

- High contact rating (80A)
- 1 Form A and 1 Form C arrangements
- Quick connect and P.C. Board terminals
- Mounting Tab optional



COIL RATING

Rate Voltage (VDC)	Coil Resistance Ohms ±10%	Max Coil Voltage	Rated Current (mA)	Must Operate Voltage	Must Dropout Voltage	Power Consumption (W)
6	20	7.8	300	4.2	0.6	
12	80	15.6	150	8.4	1.2	1.8W
24	320	31.2	75	16.8	2.4	

CAUTION: 1. The use of any coil voltage less than the rated coil voltage will compromise the operation of the relay.
2. Pickup and release voltages are for test purposes only and are not to be used for design criteria.

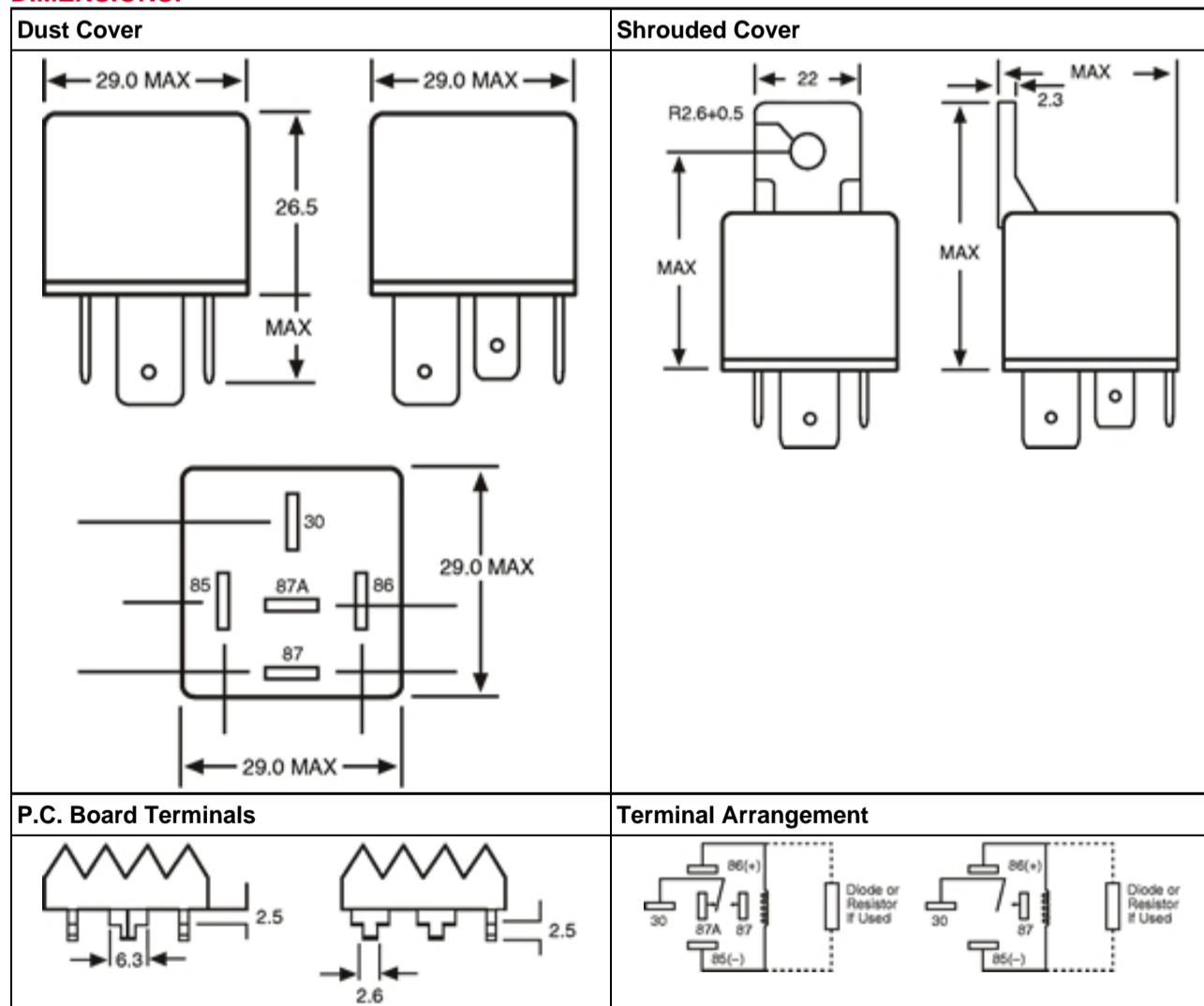
CHARACTERISTICS

Contact Arrangement	SPST (1 Form A), SPST (1 Form B) SPDT (1 Form C)
Contact Material	AgSnO ₂ , AgNi
Contact Resistance	30 mOhms
Contact Rating (resistive load)	50A, 80A 14 VDC (1 Form A); 40A, 60A/ 14 VDC (1 FormB); NO: 50A, 80A 14VDC; NC: 40A, 60A/14VDC (1 Form C)
Max Switching Voltage	75VDC
Max Switching Power	980W
Max Switching Current	80A
Operate Time	7mS Max
Release Time	5 mS Max
Operation Life	Mechanical 1,000,000 Electrical 100,000 1 Form A @ 80Amp; 15,000 1 Form B & 1 Form C @ 80 Amps,
Insulation Resistance	100MOhms min. (500V DC)
Dielectric Strength	500V/ms between coil and contact
Shock Resistance	20g Approx. 20g
Vibration Resistance	10-40Hz, Amplitude 1.27mm, 1040Hz 1.27mm
Ambient Temperature	-40°C to +85°C
Relative Humidity	85% R.H. (at 40°C)
Weight	46g (CAR); 48g (CART)

ORDERING INFORMATION

CAR	T	1C	P	80	DC12	-S
Series	T = Mounting Tab Nil: No Mounting Tab	1A: 1 Form A 1C: 1 Form C 1B: 1 Form B	Nil: Quick Connect P: PC Pin	1 Form A 80 Amp 1 Form C 60 Amp NC 80 Amp NO 1 Form A 60 Amp	6: 6VDC 12: 12VDC 24: 24VDC	S: Sealed NIL: Not sealed

DIMENSIONS:



PART NUMBERS

CAR1A80DC6	CAR1B80DC6	CAR1C80DC6
CAR1A80DC12	CAR1B80DC12	CAR1C80DC12
CAR1A80DC24	CAR1B80DC24	CAR1C80DC24
CART1A80DC6	CART1B80DC6	CART1C80DC6
CART1A80DC12	CART1B80DC12	CART1C80DC12
CART1A80DC24	CART1B80DC24	CART1C80DC24
CAR1AP80DC6	CAR1BP80DC6	CAR1CP80DC6
CAR1AP80DC12	CAR1BP80DC12	CAR1CP80DC12
CAR1AP80DC24	CAR1BP80DC24	CAR1CP80DC24

E-mail This Page

Print Preview

[Home](#) | [About Hasco](#) | [Our Factory](#) | [Reed Relays](#) | [Electromechanical Relays](#) | [Reed Switches/Magnets](#) | [Proximity Reed Switches](#) | [EZ Relay Design Page](#) | [Request Quote](#) | [Hasco Reps](#) | [Hasco Distributors](#) | [Site Map](#)

906 Jericho Turnpike ♦ New Hyde Park, NY 11040 ♦ Phone: 516-328-9292 ♦ Fax: 516-326-9125

Automotive Relays - Relay 80 amps- SPDT Relay 80 Amps- CAR Relay Series- CART Relay Series
© 2010 Hasco Relays and Electronics International Corp.