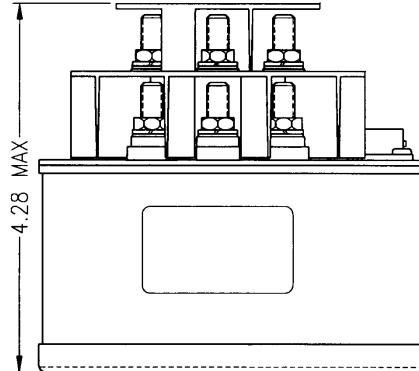
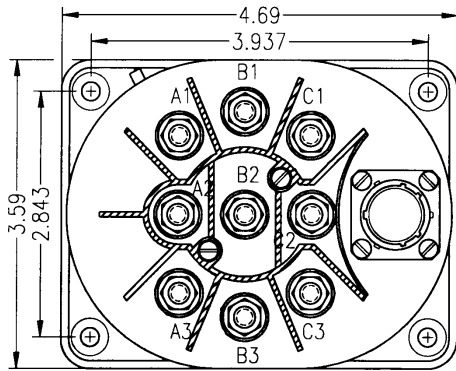


SA120B 3PDT, Side Stable, 60 Amps, 115/200 VAC, 400 Hz

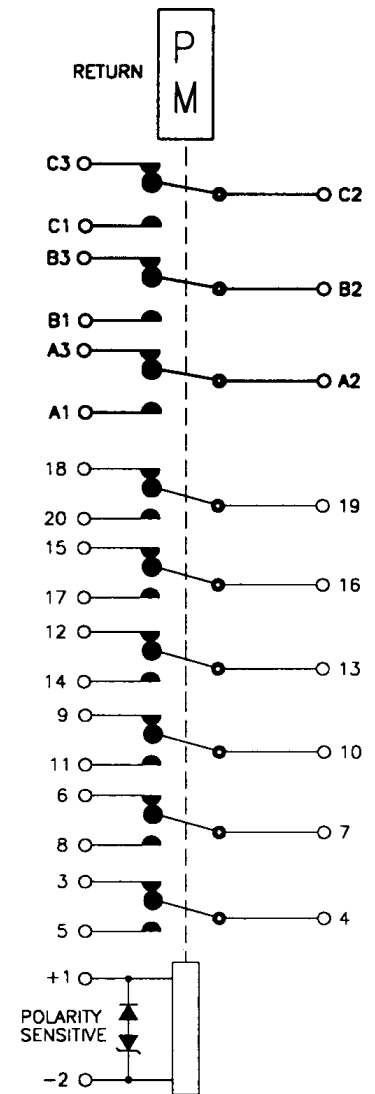
Features:

- 3PDT Side Stable Main Contacts
- 115/200 VAC, 400 Hz
- 60 Amps
- High Reliability
- Meets many requirements of MIL-R-6106



Dimensions for this product are expressed in inches. Multiply values by 25.4 for millimeters.

CONTACTOR CONFIGURATION



PRODUCT SPECIFICATIONS	
Construction	Gasket Sealed
Main Contacts:	
Configuration	3PDT Side Stable
Voltage Nominal	115/200 VAC, 400 Hz
Current Resistive	60 Amps
Current Inductive	60 Amps
Auxiliary Contacts:	
Configuration	6 PDT
Voltage Nominal	28 VDC, 115 VAC, 400/60 Hz
Current Resistive	5 Amps
Current Inductive	3 Amps
Lamp	1 Amp
Low Level	10 Milliampers at 28 VDC
Coil Data:	
Duty Cycle	Continuous
Operating Voltage	28 VDC
Operating Voltage Maximum	32 VDC
Operating Voltage Minimum	18 VDC
Drop-Out Voltage	2 - 7 VDC
Hold Voltage	7 VDC
Coil Current Maximum	0.40 Amps at 20°C, 28 VDC
Environmental Data:	
Operating Temperature	-55°C to +71°C
Altitude Maximum	50,000 Feet
Life:	
Electrical	50,000 Cycles
Mechanical	100,000 Cycles
Weight Maximum	2.7 Lbs.

For factory-direct application assistance, contact the HARTMAN product team at (419) 521-9500, Fax (419) 526-2749.

© 2004 by Tyco Electronics Corporation. All Rights Reserved. HARTMAN and TYCO are trademarks.