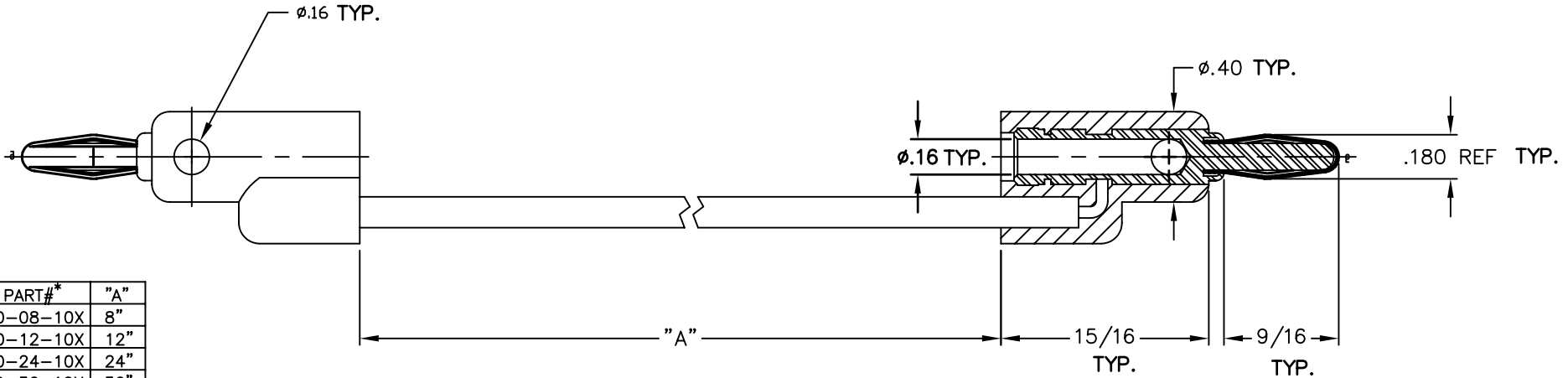


NOTES:

MATERIAL-

BANANA PLUG: NICKEL PLATED BRASS BODY, BeCu CONTACT
 MOLDING COMPOUND: ABS
 WIRE: 18 AWG, PVC JACKET

REVISIONS				
SYM	DESCRIPTION	REVISED BY	DATE	APPR



PART#*	"A"
1510-08-10X	8"
1510-12-10X	12"
1510-24-10X	24"
1510-36-10X	36"
1510-60-10X	60"

*SEE COLOR TABLE

SUFFIX	COLOR
-101	WHITE
-102	RED
-103	BLACK
-104	GREEN
-105	BLUE
-106	ORANGE
-107	YELLOW
-108	BROWN

MATERIAL: SEE NOTES		FINISH: SEE NOTES		<h1>ABBATRON</h1> <p>Electronic Connectors and Hardware 632 Arch Street, Meadville, Pa. 16335</p>			
DIMENSIONAL TOLERANCES UNLESS OTHERWISE SPECIFIED			TITLE: 1510				
.XX	.XXX	.XXX	BANANA PLUG - BANANA PLUG PATCH CORD				
----	----	----	DRAWN: T. LORD DATE: 1/30/04				
FRACTIONS		ANGLES	SCALE	CHECKED: T. LORD DATE: 1/30/04			
----		----	2:1	APPROVED: T. LORD DATE: 1/30/04			
HEAT TREAT: ---		PLOT SCALE: 1=1		SIZE: B	DRAWING NUMBER: SD-1510		
				ISSUE: A			