

Lighting Packages

Incandescent Light Package



Industry Standards

UL 508A Component Recognized; File No. E61997

CSA Certified

Maintains UL/CSA Type 4 rating when properly installed on a Hoffman enclosure.

Application

Designed to illuminate the interior of an electrical enclosure. Models are available with a door-activated switch or a manually operated switch. A terminal block is provided for connection to the electrical supply circuit. A convenience outlet is also provided for ease of servicing components mounted within the enclosure. Lighting package mounts at the top of the enclosure door opening and protrudes into the opening less than 1 in. (25 mm). A removable wire guard protects the bulb from damage.

Installation

Designed to be mounted in most Hoffman Type 3, 3R, 4, 12 and 13 enclosures. Front mounting holes are used on most applications. Two .173-in. (4-mm) holes must be drilled in the enclosure. Lighting Package should be installed with the two sealing screws included.

Features

- 60 watt incandescent T-10 style bulb included
- Terminal block has three 6-32 screw terminals with barriers labeled for power and ground connections
- Operates on 120 VAC, 50/60 Hz
- 120 VAC convenience outlet with ground, 12 A maximum rating
- Includes two self-sealing installation screws

Specifications

- 20 gauge sheet metal construction
- Stainless steel wire guard snaps in place for easy bulb replacement

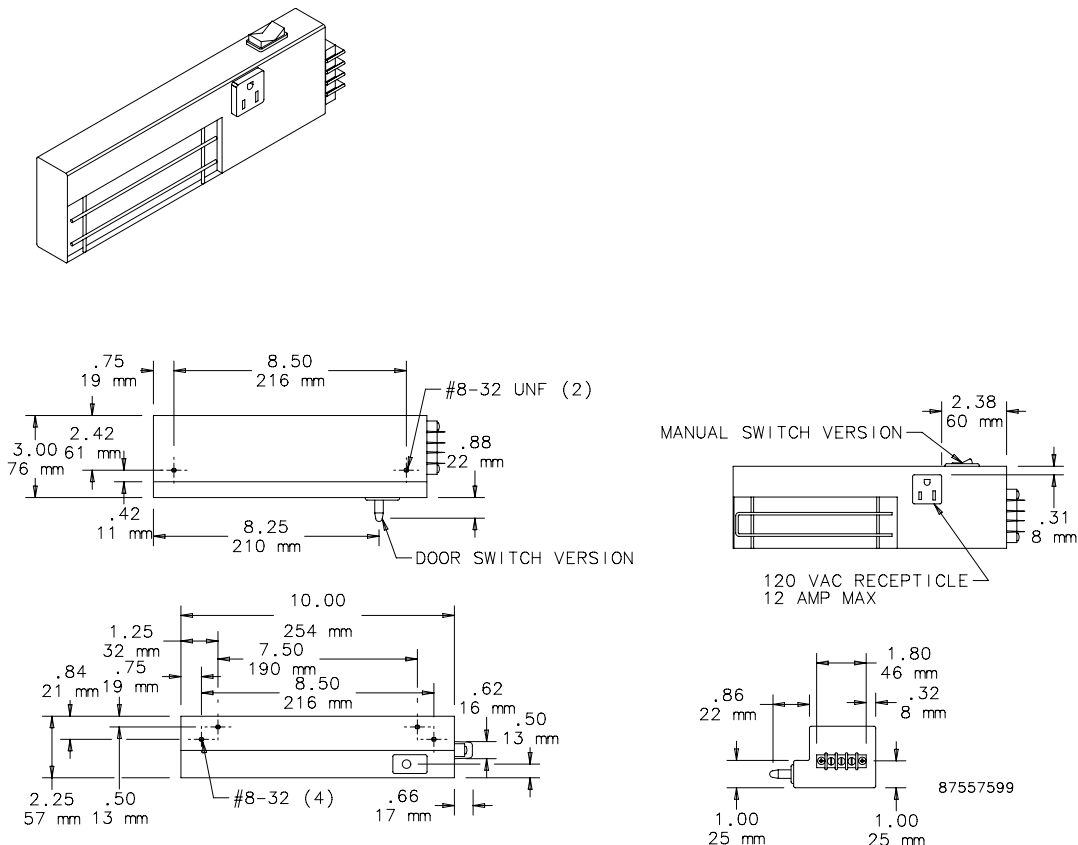
Finish

Lighting Package housing is white. Wire guard is stainless steel.

Bulletin: A80LT, P20

Catalog Number	Description	VAC	Hz	Amps
ALTDDB1	Door switch with terminal block	120	50/60	12.6 Max.
ALTMDB1	Manual switch with terminal block	120	50/60	12.6 Max.
PLTMB1	Manual switch with terminal block ^a	120	50/60	15
PLTDB1	Door switch with terminal block ^a	120	50/60	15

^a Includes hardware for installation in PROLINE[®] enclosures.



Lighting Packages

Fluorescent Light Package



Optional accessories include a mounting bracket kit designed specifically for Hoffman PROLINE® disconnect enclosure applications and easy-to-mount remote manual and door-activated switches with mounting bracket. Accepts the following standard bulbs, which are not included with light package: F8T5, F15T8, F18T8 or F34T12.

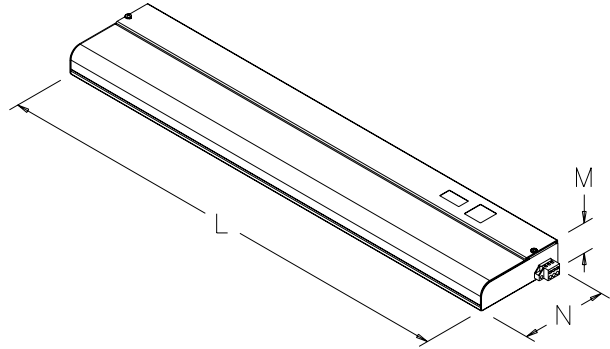
Bulletin: A80LT

Industry Standards

Maintains Type 4 and Type 12 when properly installed in a Hoffman enclosure.

UL 508 Component Recognized; File No. E229434
cUL Component Recognized per CSA C22.2 No. 14; File No. E229434

These low-profile light packages are available with either a manual or a door-activated switch. On door-activated switches, the circuit is closed (activates the light) when the enclosure door is opened. Each light comes with a pre-wired terminal block for easy connection to the electric supply, in either 115 VAC or 230 VAC models. An easy-to-remove, non-yellowing white plastic lens cover provides protection against bulb breakage (fluorescent bulb not included). All 115 VAC models come standard with a 9 A convenience outlet. Standard mounting hardware and brackets included. Body finish is light-gray RAL 7035 polyester powder paint.



87574478

Catalog Number	Description	VAC	Hz	Amps	Outlet	L in./mm	M in./mm	N in./mm	Bulb (not included)
ALF16D12R	Door switch	115	60	0.16	Yes	12.30 312	1.38 42	4.59 140	F8T5
ALF16M12R	Manual switch	115	60	0.16	Yes	12.30 312	1.38 42	4.59 140	F8T5
ALF16D18R	Door switch	115	60	0.35	Yes	18.10 460	1.38 42	4.59 140	F15T8
ALF16M18R	Manual switch	115	60	0.35	Yes	18.10 460	1.38 42	4.59 140	F15T8
ALF16M18RC	Manual switch, 6 ft power cord	115	60	0.35	Yes	18.10 460	1.38 42	4.59 140	F15T8
ALF25D18R	Door switch	230	50	0.30	No	18.10 460	1.84 56	5.25 160	F15T8
ALF25M18R	Manual switch	230	50	0.30	No	18.10 460	1.84 56	5.25 160	F15T8
ALF16D24R	Door switch	115	60	0.35	Yes	24.10 612	1.38 42	4.59 140	F18T8
ALF16M24R	Manual switch	115	60	0.35	Yes	24.10 612	1.38 42	4.59 140	F18T8
ALF16M48R	Manual switch	115	60	0.65	Yes	48.00 1219	1.84 56	5.25 160	F40T12

ALF16M18RC corded light is listed to UL/cUL 153 standard.

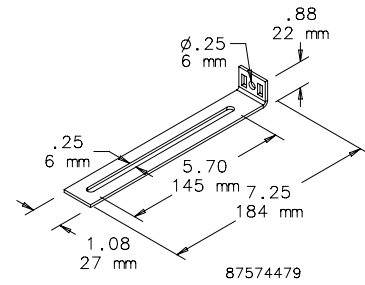
Lighting Packages

Mounting Bracket Kit for Fluorescent Light Package

Kit simplifies mounting light package in Hoffman PROLINE® disconnect enclosures. Includes brackets, all mounting hardware and complete instructions.

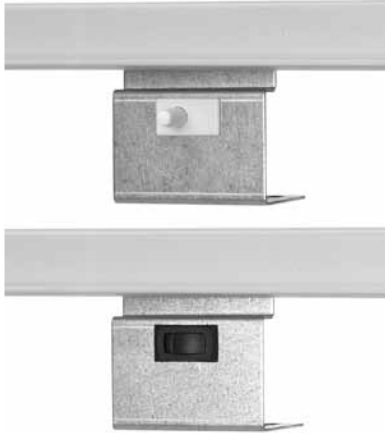
Bulletin: A80LT

Catalog Number	Description
PDLFBRKT	Mounting Bracket Kit



Lighting Packages

Remote Switches for Fluorescent Light Package



Remote switches for the Fluorescent Light Packages. Mounts on the frame and includes mounting hardware. Mounting plate is 14 gauge steel with a plated finish.

Bulletin: A80LT, P20

Catalog Number	Description
ALFSWM	Manual Switch
ALFSWD	Door-Activated Switch
PLFSWM	Manual Switch ^a
PLFSWD	Door-Activated Switch ^a

^a For installation in PROLINE[®] Enclosures.

