



Quality Products. Service Excellence.

900-1300 BTU/H Indoor Air Conditioner *DTS Series*

Type 12, Side Mounting



Description

- Compact design for side mounting on any enclosure surface where hot spot cooling or low capacity cooling is required.
- Closed loop cooling ensures clean enclosure air is recirculated without ever mixing with contaminated ambient air.

Standards

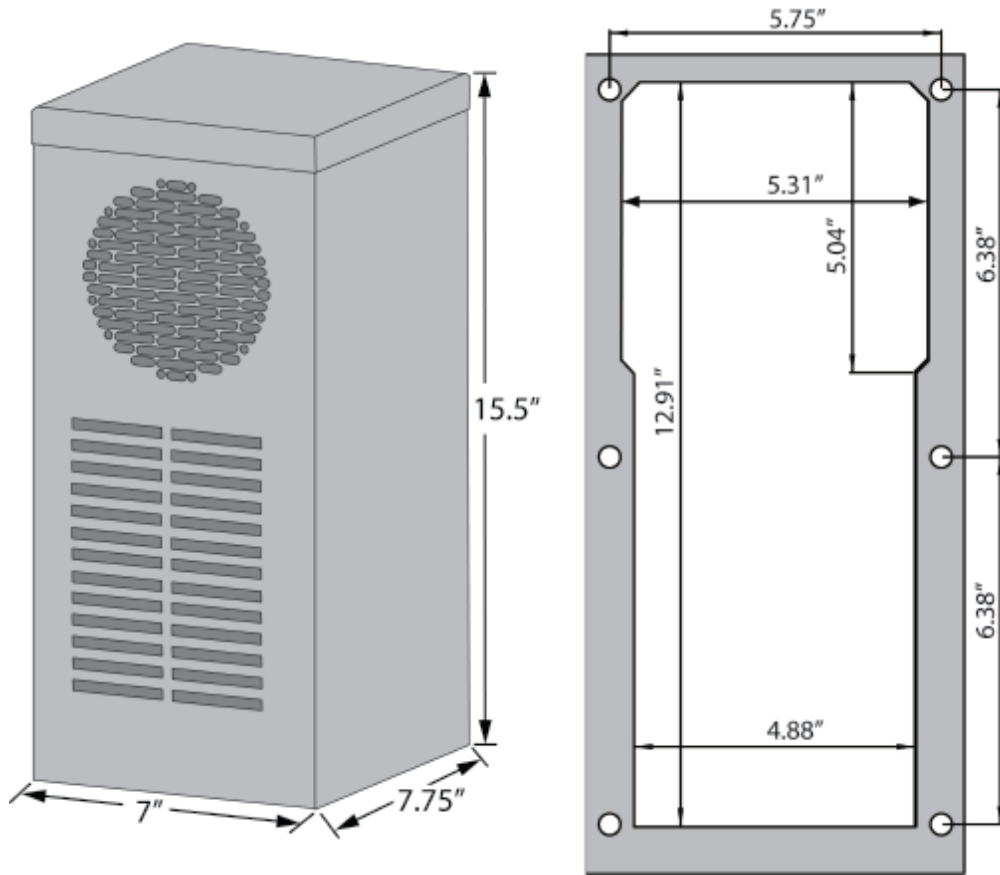
- Maintains enclosure's NEMA 12 rating
- IP 54
- UR, cUR and CE

Features

- R134a refrigerant.
- Thermostat control accessible from inside enclosure.
- Expansion valve increases efficiency with improved evaporator heat transfer and less frequent compressor operation.
- Direct condensate discharge via 1/4" NPT threaded port.
- Continuous air circulation from high capacity fans.
- EMI/RFI suppression meets CE.
- Door contact for power down when enclosure door is opened.
- Gasket, mounting kit and template for cutout and drilling are included.
- Washable aluminum mesh filter

Accessories

- Remote Door Switches
- Gasket Kits
- Condensate Bottle
- Filter Kits
- Water Condensate Evaporator



| |
|-----------------|
| Part No. |
| DTS3021A115LG |
| DTS3021A230LG |

* For ANSI 61 Gray replace LG with GY

| Electrical Data | DTS3021A115LG | DTS3021A230LG |
|--------------------|---------------|----------------|
| Rated Voltage | 115 V 60 Hz | 230 V 50/60 Hz |
| Range of Operation | 103- 127 V | 207-253 V |
| Power Consumption | 325 W | 315 W |
| Running Amps | 3 | 2 |
| Starting Current | 10 | 5 |
| Line Cord | With Plug | With Plug |

| Refrigeration Data | |
|------------------------------------|---|
| Cooling Capacity +95/+95F +35/+35C | 1194 BTU/h (350 Watts) |
| Type of Refrigerant | R134a |
| Refrigeration Charge | 150 g |
| Adjustable Control Range | +50F..104F / +10C..+40C Factory setting +95F/+35C |
| Max Ambient Air Temp | +114F (+45C) |
| Min Ambient Air Temp | +46F (+8C) |
| Air Capacity (unrestricted) | Internal 38 CFM External 30 CFM |
| Condensation Discharge | Condensate Drain |
| Filter Mat | Aluminum Mesh |
| Db noise level | <64 db |
| Unit Weight | 30 lbs (13.6kg) |
| Exterior Case | Galvanized sheet metal |
| Finish LG | RAL7035 light Gray |
| Finish GY | ANSI 61 Gray |
| Nema Rating | enclosures IP54 / NEMA 12 |

Data subject to change without notice

