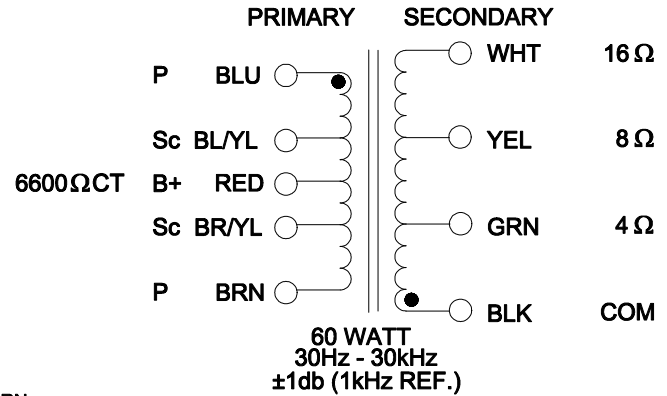
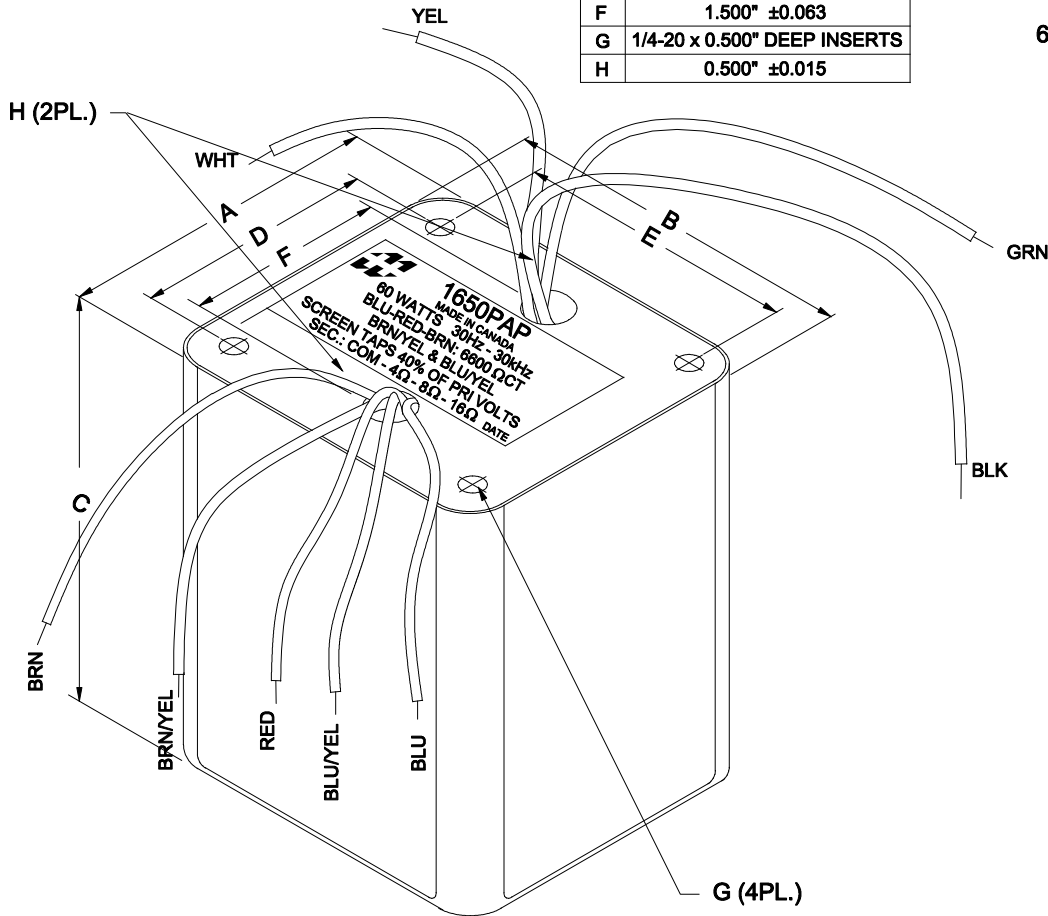


DIMENSIONS:	
A	3.313" ±0.063
B	3.875" ±0.063
C	4.250" ±0.063
D	2.500" ±0.063
E	3.000" ±0.063
F	1.500" ±0.063
G	1/4-20 x 0.500" DEEP INSERTS
H	0.500" ±0.015



ELECTRICAL DATA:		
TESTS	CONDITIONS	ACCEPTANCE CRITERIA
lex	@ 240V, 60Hz, BLU - BRN	5mA Max.
Sec. N.L.V	@ 240V, 60Hz, BLU - BRN	
	BLU - BLU/YEL =	70.26V ±2%
	BLU - RED = RED - BRN =	120.0V ±2%
	BLU - BRN/YEL =	169.7V ±2%
	BLK - GRN =	5.911V ±2%
	BLK - YEL =	8.364V ±2%
	BLK - WHT =	11.82V ±2%
DCR	@ 20°C, BLU - RED =	71.34 Ω ±20%
	@ 20°C, RED - BRN =	80.42 Ω ±20%
	@ 20°C, BLK - GRN =	0.237 Ω ±20%
	@ 20°C, BLK - YEL =	0.364 Ω ±20%
	@ 20°C, BLK - WHT =	0.473 Ω ±20%
HIPOT	PRIMARY - SECONDARY	2000V, 60Hz, 1 SEC

NOTE: ALL LEADS 12" OUT MIN., STRIPPED .5"

REV.#	REVISION	DATE
0	RELEASED.	C.I. 06/28/16
1	ADDED TEST INFO TO DWG.	C.I. 07/06/16
2	CORRECTED DIMENSIONS.	C.I. 09/20/17

**HAMMOND MANUFACTURING** ELECTRONIC DIVISION  
 52 RANKIN PLACE, WATERLOO, ONTARIO, N2J 3Z5  
 PH # (519) 886-6181 FAX # (519) 886-9540

DWG. BY: C. ILIE	CHK'D BY:	TITLE: PUSH-PULL	DWG. NO.
DATE: 06/28/16	APP'D. BY:	OUTPUT TRANSFORMER	1650PAP
	DIMENSIONS: IN(X) MM( )		