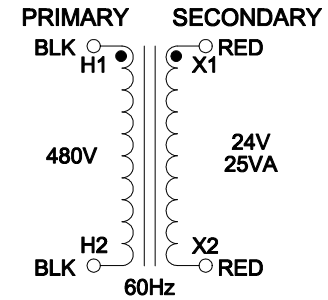
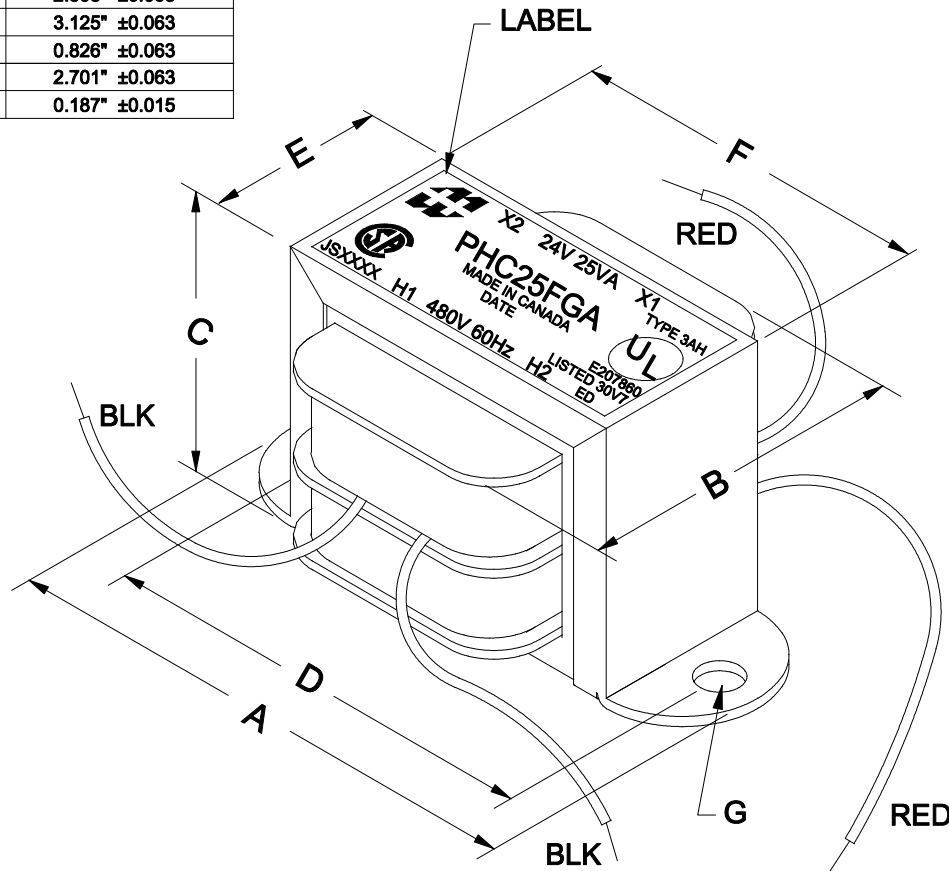


DIMENSIONS:	
A	3.688" ±0.063
B	1.850" ±0.125
C	2.308" ±0.063
D	3.125" ±0.063
E	0.826" ±0.063
F	2.701" ±0.063
G	0.187" ±0.015



NOTE: ALL LEADS 10" OUT MIN. STRIPPED 0.5"

ELECTRICAL DATA:		
TESTS	CONDITIONS	ACCEPTANCE CRITERIA
lex	@ 480V, 60Hz, BLK - BLK	19.2mA Max.
Sec. N.L.V	@ 480V, 60Hz, BLK - BLK	
	RED - RED =	26.69V ±1%
DCR	@ 20°C, BLK - BLK =	412.8 Ω ±20%
	@ 20°C, RED - RED =	1.153 Ω ±20%
HIPOT	PRIMARY - SECONDARY	3000V, 60Hz, 1 SEC

REV.#	REVISION	DATE	HAMMOND ELECTRONIC DIVISION		
0	RELEASED.	C.I. 02/12/18	52 RANKIN PLACE, WATERLOO, ONTARIO, N2J 3Z5		
			PH # (519) 886-6181	FAX # (519) 886-9540	
			DWG. BY: C. ILIE	CHK'D BY:	TITLE: CONTROL TRANSFORMER
			DATE: 02/12/18	APP'D. BY:	DWG. NO. PHC25FGA
				DIMENSIONS: IN(X) MM()	