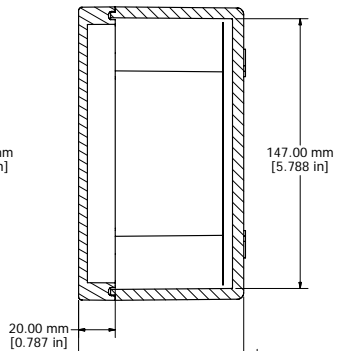
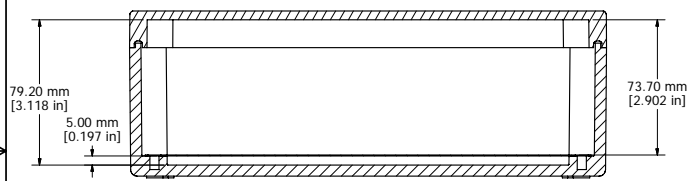
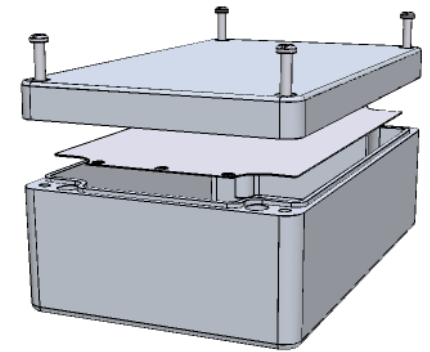


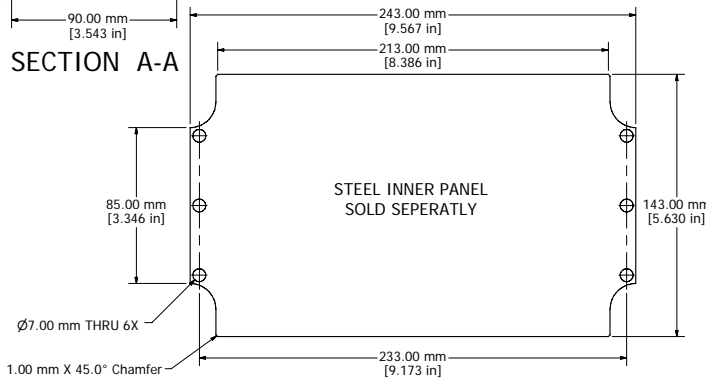
ASSEMBLY



SECTION A-A

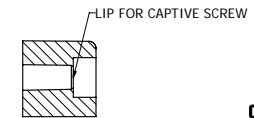


SECTION B-B



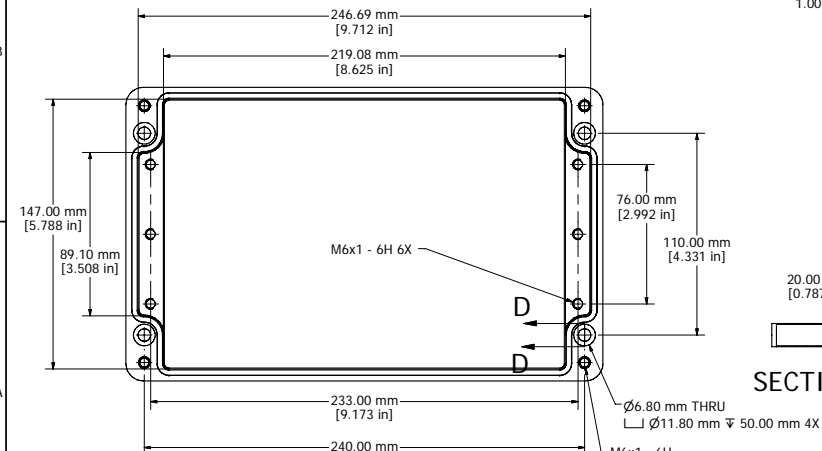
STEEL INNER PANEL
SOLD SEPERATLY

INNER PANEL

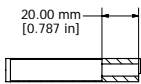


SECTION C-C

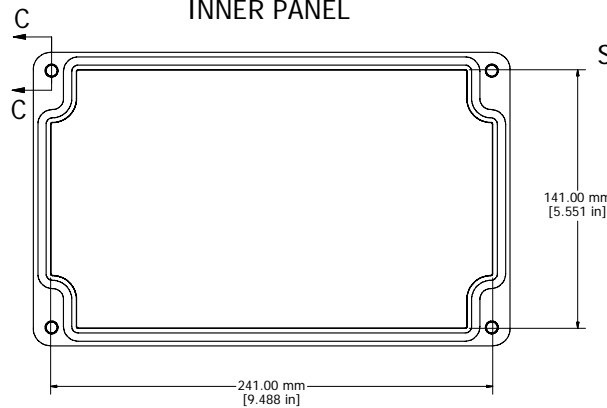
UL US LISTED
File #E65324
NEMA 4, 4X



BOX - INSIDE



SECTION D-D



LID - INSIDE

FIBERGLASS ENCLOSURE	
INCLUDES	
1	ENCLOSURE
4	M6 x 28mm PAN HEAD SCREWS
ACCESSORIES	
	STEEL INNER PANEL
	1590ZGRP162PL

HAMMOND
MANUFACTURING™
1590ZGRP162
www.hammondmfg.com