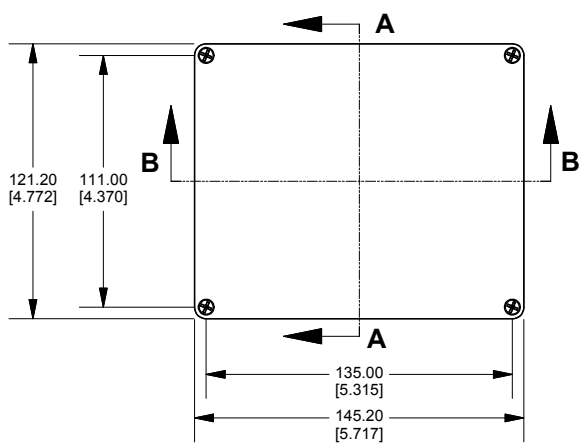
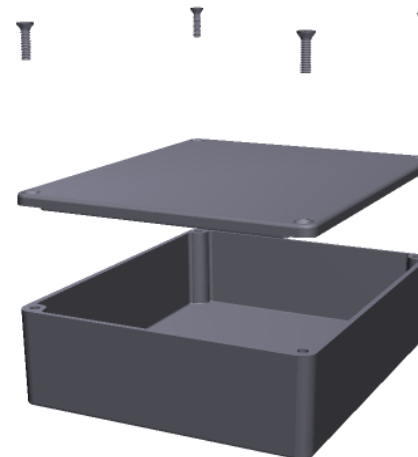
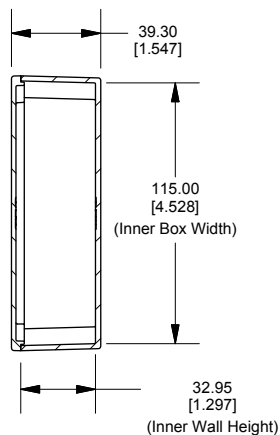


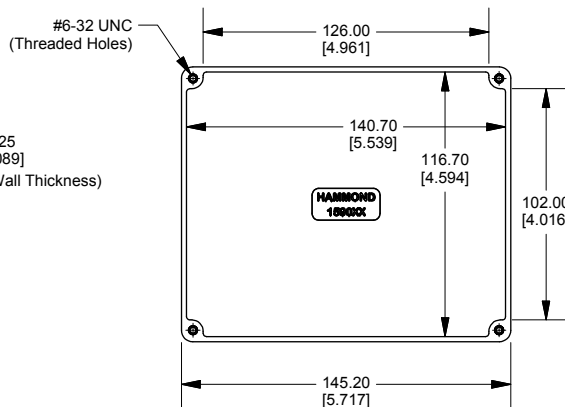
TOP VIEW OF ASSEMBLY



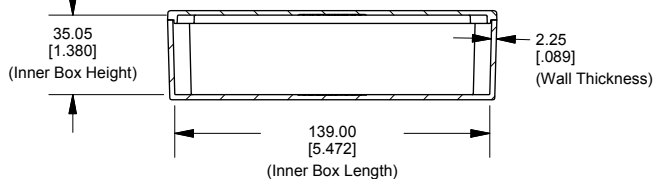
**SECTION A-A
END VIEW OF ASSEMBLY**



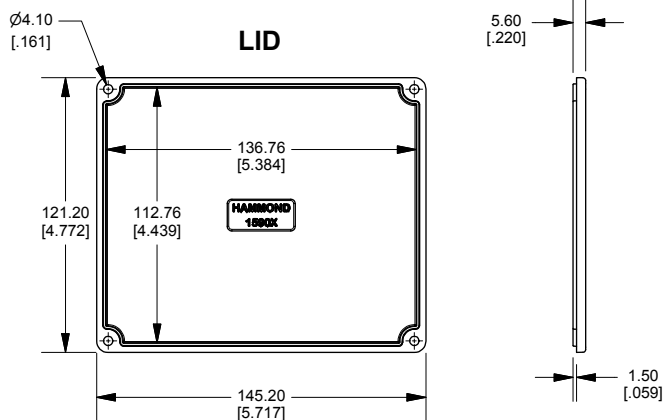
TOP VIEW LOOKING INSIDE BOX



**SECTION B-B
SIDE VIEW OF ASSEMBLY**



LID



Enclosures can be Factory Modified (Milling, Drilling, Printing etc.)
 Contact Factory mjm@hammondmfg.com for quotes
 Solid models of this enclosure available in STEP or IGES.

NOTE

Purchased assembly includes box, lid and 4 cover screws.
 Box and lid are made from Diecast Aluminum Alloy.
 Silicone Gasket supplied with liquid resistant enclosure.

PART NUMBERS

1590XX Enclosure	
Natural Finish Enclosure	1590XX
Black Textured Enclosure	1590XXBK
1590XX Liquid Resistant Enclosure (Silicone Gasket)	
Natural Finish Enclosure	1590WXX
Black Textured Enclosure	1590WXXBK

ACCESSORIES

Recommended Torque: 75 ozf.in / 55 cN.m

Liquid Resistant Cover Screws

Stainless Steel Cover Screws (Pkg 100) [6-32 x 1/2" With O-Ring]	1590WMS100
Black Stainless Steel Cover Screws (Pkg 100) [6-32 x 1/2" With O-Ring]	1590WMS100BK

Standard Cover Screws

Plated Cover Screws (Pkg 100) [6-32 x 1/2"]	1590MS100
Black Cover Screws (Pkg 100) [6-32 x 1/2"]	1590MS100BK

**HAMMOND
MANUFACTURING™**

1590XX

www.hammondmfg.com

Dimensions:
 mm
 [inches]